

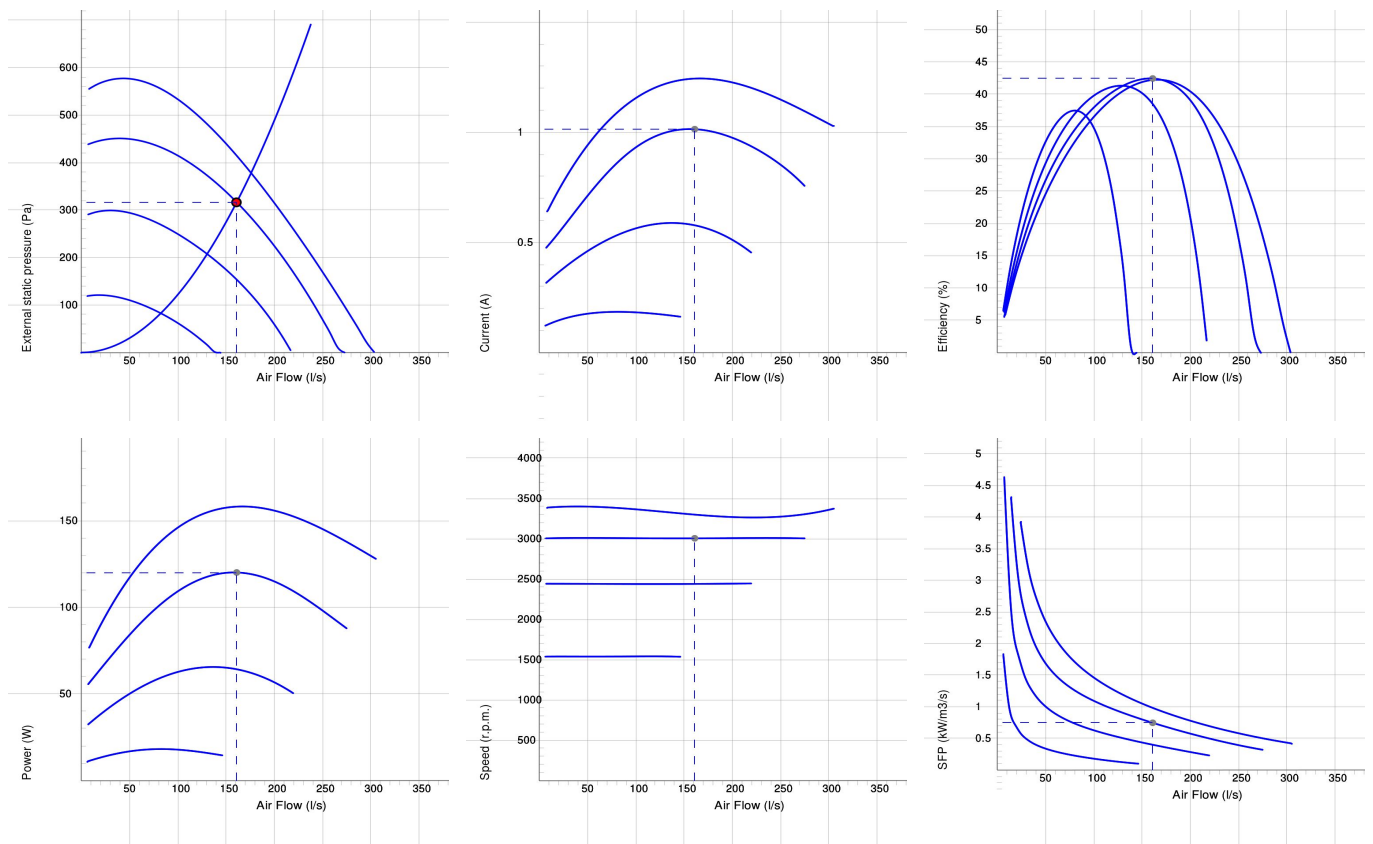
CK 200 B EC



CK EC

- Duct fan with circular connections.
- Proven performance and reliability.
- Compact with high capacity and efficiency.
- Low sound levels.
- Impeller with backward curved blades.
- The external rotor motor has maintenance-free sealed ball-bearings and is very energy efficient.
- Speed controlling can be done with the built-in potentiometer, 0-10 V alt. external control.
- Integrated motor protection.
- Junction box has enclosure class IP 54.
- Fan housing is manufactured from galvanized sheet steel.
- The fan is intended to be installed in a duct system.
- A duct connected fan can be installed outside or in damp environments.
- Easy installation in any position.

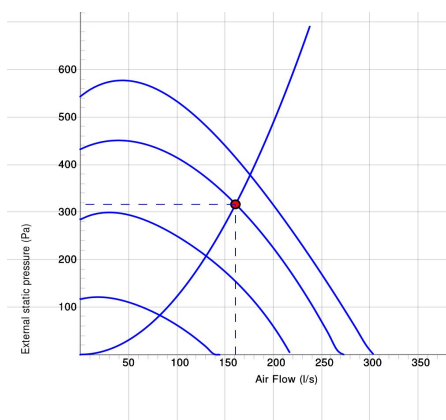
DIAGRAMS



Work Point

Air Flow (l/s)	External static pressure (Pa)	Power (W)	Speed (r.p.m.)	Current (A)	Efficiency (%)	SFP (kW/m ³ /s)	Voltage (V)
161	316	120	3005	1.01	42.4	0.746	8

SOUND DATA



	Tot	63	125	250	500	1k	2k	4k	8k
Inlet Lw dB(A)	77	60	68	71	72	68	69	67	57
Outlet Lw dB(A)	79	63	67	72	74	70	72	71	59
Surrounding Lw dB(A)	51	36	35	45	46	42	40	41	31
Surrounding Lp dB (A) 3m	44	29	28	38	39	35	33	34	24

Work Point

Air Flow (l/s) 161	External static pressure (Pa) 316	Power (W) 120	Speed (r.p.m.) 3005	Current (A) 1.01	Efficiency (%) 42.4	SFP (kW/m3/s) 0.746	Voltage (V) 8
-----------------------	--------------------------------------	------------------	------------------------	---------------------	------------------------	------------------------	------------------

TECHNICAL DATA

CK 200 B EC 7001047

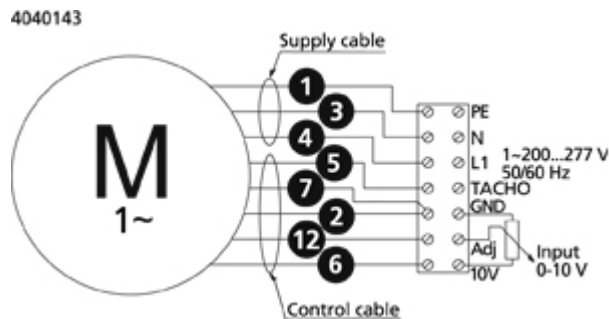
Parameter	Value	Unit
Voltage	230	V
Phase	1	~
Frequency	50/60	Hz
Power	154	W
Current	1.21	A
Speed	3250	r.p.m.
Max. temperature of transported air	50	°C
Sound pressure level at 3 m	46	dB(A)
Weight	4	kg
Enclosure class	44	IP
Insulation class, motor	F	
Capacitor	-	µF
Duct connection	200	mm
Max. flow	302	l/s
Max. pressure	576	Pa
Voltage range	200-240	V

ECODESIGN

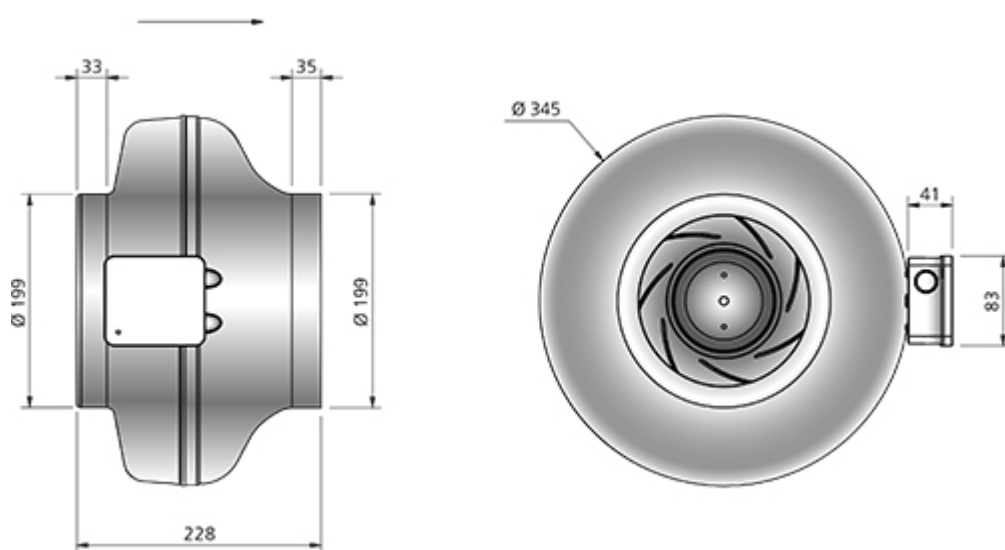
Parameter	Value	Unit
(a) Manufacturer	Östberg	-
(b) Model code	CK 200 B EC	-
(c) Declared type	NRVU / UVU	-
(d) Type of drive	Variable speed drive	-
(e) Type of HRS	N/A	-
(f) Thermal efficiency	N/A	%
(g) Nominal flow rate	0.170	m ³ /s
(h) Effective power input	0.154	kW
(i) SFP int	N/A	W/(m ³ /s)
(j) Face velocity	5.4	m/s
(k) Nominal external pressure	381	Pa
(l) Internal pressure drop	N/A	Pa
(n) Static efficiency	56.8	%
(o) External (internal) leakage rate	0.21	%
(p) Filter classification	N/A	%
(q) Visual filter warning	N/A	-
(r) Sound power level	54	dB LwA
(s) Disassembly instructions	www.ostberg.com	-

WIRING DIAGRAM

- Ⓜ = Fan Motor
- Ⓜ1 = Fan Motor
- Ⓜ2 = Fan Motor
- Ⓜ3 = Rotor Motor
- ① = Yellow/Green
- ② = Black
- ③ = Blue
- ④ = Brown
- ⑤ = White
- ⑥ = Orange
- ⑦ = Grey
- ⑧ = Red
- ⑨ = Green
- ⑩ = Violet
- ⑪ = Quick switch
- ⑫ = Yellow



DIMENSIONS



ACCESSORIES

Mechanical accessories



Mounting bracket Kit MB



Mounting clamp MK 200



Safety grille BSV 200



Back draught shutter RSK 200



Louvre YG 200



Louvre shutter VK 200



Filterbox FLK 200



Filterbox FLF 200



Silencer LDC 200

Electrical accessories



Speed controller MS EC



Pressure regulator CALAIR-PR-230V



Pressure regulator FKP-R