

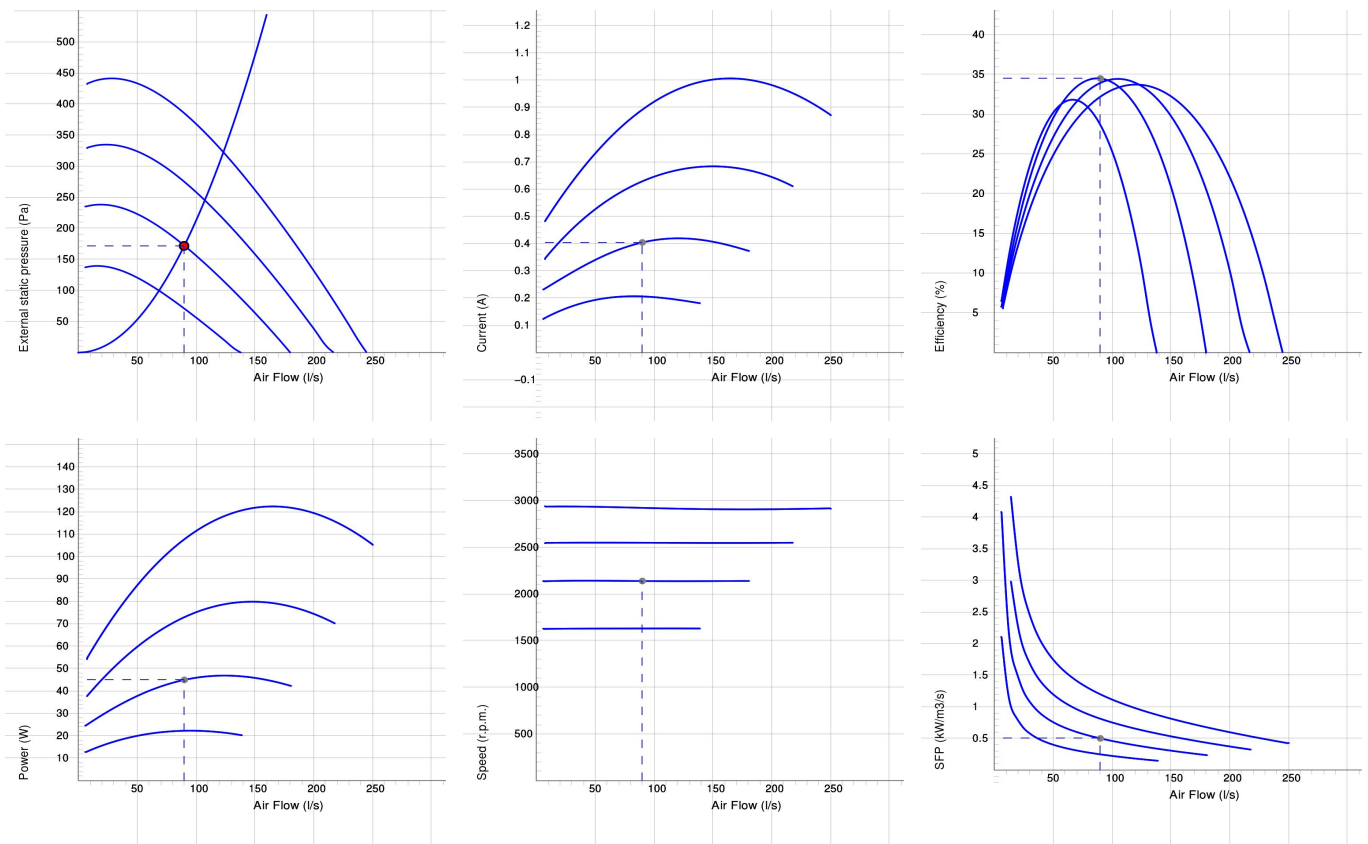
## CK 160 C EC



### CK EC

- Duct fan with circular connections.
- Proven performance and reliability.
- Compact with high capacity and efficiency.
- Low sound levels.
- Impeller with backward curved blades.
- The external rotor motor has maintenance-free sealed ball-bearings and is very energy efficient.
- Speed controlling can be done with the built-in potentiometer, 0-10 V alt. external control.
- Integrated motor protection.
- Junction box has enclosure class IP 54.
- Fan housing is manufactured from galvanized sheet steel.
- The fan is intended to be installed in a duct system.
- A duct connected fan can be installed outside or in damp environments.
- Easy installation in any position.

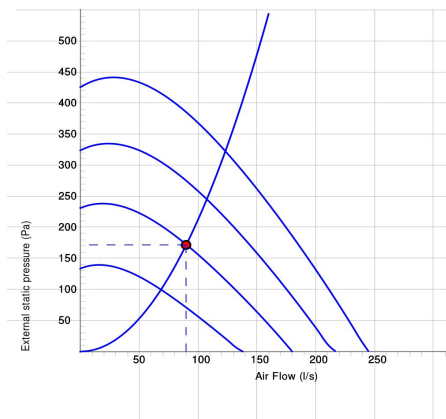
## DIAGRAMS



## Work Point

Air Flow (l/s)	External static pressure (Pa)	Power (W)	Speed (r.p.m.)	Current (A)	Efficiency (%)	SFP (kW/m <sup>3</sup> /s)	Voltage (V)
90	172	44.9	2138	0.404	34.5	0.499	7

## SOUND DATA



	Tot	63	125	250	500	1k	2k	4k	8k
Inlet Lw dB(A)	70	49	62	66	66	61	57	56	47
Outlet Lw dB(A)	69	51	60	63	64	61	60	58	47
Surrounding Lw dB(A)	46	21	27	31	39	41	37	42	29
Surrounding Lp dB (A) 3m	39	14	20	24	32	34	30	35	22

## Work Point

Air Flow (l/s) 90	External static pressure (Pa) 172	Power (W) 44.9	Speed (r.p.m.) 2138	Current (A) 0.404	Efficiency (%) 34.5	SFP (kW/m3/s) 0.499	Voltage (V) 7
----------------------	--------------------------------------	-------------------	------------------------	----------------------	------------------------	------------------------	------------------

## TECHNICAL DATA

### CK 160 C EC 7001104

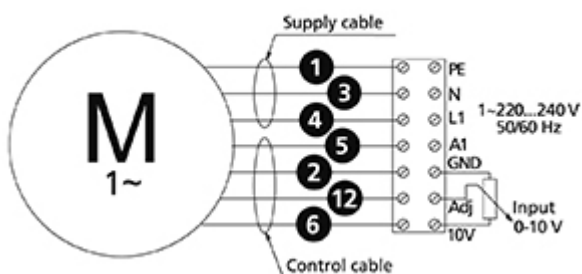
Parameter	Value	Unit
Voltage	230	V
Phase	1	~
Frequency	50/60	Hz
Power	121	W
Current	0.99	A
Speed	2900	r.p.m.
Max. temperature of transported air	60	°C
Sound pressure level at 3 m	46	dB(A)
Weight	3.7	kg
Enclosure class	54	IP
Insulation class, motor	F	
Capacitor	-	µF
Duct connection	160	mm
Max. flow	244	l/s
Max. pressure	436	Pa
Voltage range	220-240	V

## ECODESIGN

Parameter	Value	Unit
(a) Manufacturer	Östberg	-
(b) Model code	CK 160 C EC	-
(c) Declared type	NRVU / UVU	-
(d) Type of drive	Variable speed drive	-
(e) Type of HRS	N/A	-
(f) Thermal efficiency	N/A	%
(g) Nominal flow rate	0.114	m <sup>3</sup> /s
(h) Effective power input	0.115	kW
(i) SFP int	N/A	W/(m <sup>3</sup> /s)
(j) Face velocity	N/A	m/s
(k) Nominal external pressure	336	Pa
(l) Internal pressure drop	N/A	Pa
(n) Static efficiency	45.5	%
(o) External (internal) leakage rate	0.19	%
(p) Filter classification	N/A	%
(q) Visual filter warning	N/A	-
(r) Sound power level	55	dB LwA
(s) Disassembly instructions	<a href="http://www.ostberg.com">www.ostberg.com</a>	-

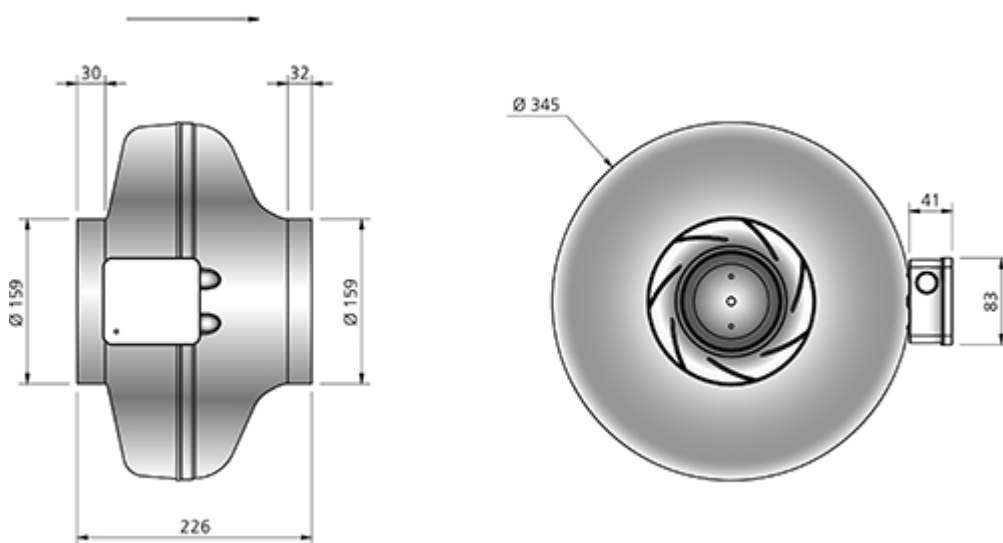
## WIRING DIAGRAM

4040180



- Ⓜ = Fan Motor
- Ⓜ1 = Fan Motor
- Ⓜ2 = Fan Motor
- Ⓜ3 = Rotor Motor
- ① = Yellow/Green
- ② = Black
- ③ = Blue
- ④ = Brown
- ⑤ = White
- ⑥ = Orange
- ⑦ = Grey
- ⑧ = Red
- ⑨ = Green
- ⑩ = Violet
- ⑪ = Quick switch
- ⑫ = Yellow

## DIMENSIONS



## ACCESSORIES

### Mechanical accessories



Mounting bracket Kit MB



Mounting clamp MK 160



Safety grille BSV 160



Back draught shutter RSK 160



Louvre YG 160



Louvre shutter VK 160



Filterbox FLK 160



Filterbox FLF 160



Silencer LDC 160

### Electrical accessories



Speed controller MS EC



Pressure regulator CALAIR-PR-230V



Pressure regulator FKP-R