

# SAVE VTR 150/K

GB	Installation and Service .....	2	DE	Betriebs- und Wartungsanleitung.....	110
SV	Installation och Service .....	56	FI	Asennus ja huolto .....	168

Document translated from English | 211567 · B003



© Copyright Systemair UAB

All rights reserved

E&OE

Systemair UAB reserves the rights to change their products without notice.

This also applies to products already ordered, as long as it does not affect the previously agreed specifications.

Systemair is not liable or bound by the warranty if these instructions are not adhered to during installation or service.

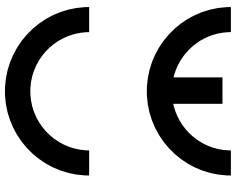
# Contents

1	Declaration of Conformity .....	5	7.7.1	Unit Information .....	20
2	Disposal and recycling .....	6	7.7.2	Alarms .....	20
3	Warnings.....	6	7.7.3	Week Schedule.....	24
4	About this document.....	6	7.7.4	Filter .....	25
5	Product information .....	6	7.7.5	System Preferences.....	25
5.1	General.....	6	7.7.6	Service .....	25
5.2	Installation recommendation regarding condensation .....	7	7.7.7	Help.....	33
5.2.1	Condensation inside of the unit .....	7	8	Electrical connections.....	33
5.2.2	Condensation outside of the unit .....	7	8.1	Main board layout .....	33
5.3	Transport and storage .....	7	8.2	External connections (Connection board) .....	35
5.4	Technical Data .....	8	9	Before starting the system .....	35
5.4.1	Dimensions and Weight .....	8	10	Service .....	36
5.4.2	Connections Left and Right models .....	9	10.1	Warnings.....	36
5.4.3	System curves .....	9	10.2	Internal components .....	37
5.4.4	Power consumption and fuse size .....	10	10.3	Component descriptions .....	37
6	Installation.....	11	10.3.1	Fans .....	37
6.1	Unpacking .....	11	10.3.2	Filters .....	38
6.2	Where/how to install .....	11	10.3.3	Heat exchanger .....	38
6.3	Installation procedure SAVE VTR 150/ K .....	11	10.3.4	Main circuit board.....	38
6.4	Remove/mount the outer front .....	12	10.3.5	Connection box.....	38
6.5	Remove/mount the inner front.....	12	10.3.6	Temperature sensors .....	38
7	Configuration .....	13	10.3.7	Humidity sensor.....	38
7.1	General.....	13	10.3.8	Electrical Re-heater battery .....	38
7.2	Startup wizard .....	13	10.3.9	Overheat protection reset button .....	38
7.3	Common symbols.....	13	10.4	Replacing rotor drive belt .....	39
7.4	Menu overview .....	14	10.5	Troubleshooting.....	40
7.5	Home screen.....	15	11	Accessories.....	42
7.5.1	User modes .....	15	11.1	Internet Access Module (IAM) .....	42
7.5.2	Temperature settings .....	17	11.1.1	Setting up remote control of the unit.....	43
7.5.3	Airflow settings .....	17	11.2	Indoor air quality sensors .....	44
7.5.4	Indoor Air Quality .....	18	11.3	Temperature control .....	46
7.5.5	Status line .....	18	11.3.1	Electrical duct pre- heater .....	46
7.6	Description of User function icons .....	18	11.3.2	Duct water heater .....	47
7.7	Main menu .....	19	11.3.3	Duct water cooler.....	49
			11.3.4	Change-over coil for heating/ cooling function .....	51

11.4	Airflow control.....	53
11.4.1	VAV/CAV conversion kit.....	53
11.5	Installation/Maintenance .....	53
11.5.1	Outdoor/Exhaust air dampers.....	53
11.5.2	Multiple control panels .....	54
11.6	Filters .....	55

# 1 Declaration of Conformity

## Manufacturer



Systemair UAB  
 Linų st. 101  
 LT-20174 Ukmergė, LITHUANIA  
 Office: +370 340 60165 Fax: +370 340 60166  
 www.systemair.com

### hereby confirms that the following product:

Heat recovery ventilation unit: SAVE VTR 150/K

(The declaration applies only to product in the condition it was delivered in and installed in the facility in accordance with the included installation instructions. The insurance does not cover components that are added or actions carried out subsequently on the product).

### Comply with all applicable requirements in the following directives:

- Machinery Directive 2006/42/EC
- Low Voltage Directive 2014/35/EU
- EMC Directive 2014/30/EU
- Ecodesign Directive 2009/125/EC
- RoHS Directive 2011/65/EU

### The following regulations are applied in applicable parts:

1253/2014	Requirements for ventilation units
1254/2014	Energy labelling of residential ventilation units
327/2011	Requirements for fans above 125 W

### The following harmonized standards are applied in applicable parts:

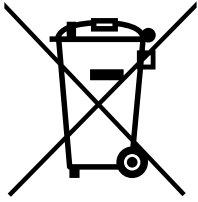
EN ISO 12100:2010	Safety of machinery - General principles for design - Risk assessment and risk reduction
EN 13857	Safety of machinery – Safety distances to prevent hazard zones being reached by upper or lower limbs
EN 60 335-1	Household and similar electrical appliances – Safety Part 1: General requirements
EN 60 335-2-40	Safety of household and similar electrical appliances – Part 2-40: Particular requirements for electrical heat pumps, air-conditioners and dehumidifiers
EN 62233	Measurement methods for electromagnetic fields of household appliances and similar apparatus with regard to human exposure
EN 50 106:2007	Safety of household and similar appliances – Particular rules for routine tests referring to appliances under the scope of EN 60 335-1 and EN 60967
EN 61000-6-2	Electromagnetic compatibility (EMC) – Part 6-2: Generic standards – Immunity for industrial environments
EN 61000-6-3	Electromagnetic compatibility (EMC) – Part 6-3: Generic standards – Emission standards for residential, commercial and light-industrial environments

Skinnskatteberg, 11-10-2017

Mats Sándor

Technical Director

## 2 Disposal and recycling



This product is compliant to the WEEE directive. When disposing the unit, follow your local rules and regulations.  
This product packing materials are recyclable and can be reused. Do not dispose in household waste.



## 3 Warnings



### Danger

- Make sure that the mains supply to the unit is disconnected before performing any maintenance or electrical work!
- All electrical connections and maintenance work must be carried out by an authorized installer and in accordance with local rules and regulations.



### Warning

- This product must only be operated by a person who has suitable knowledge or training within this field or carried out with the supervision of a suitably qualified person.
- Beware of sharp edges during mounting and maintenance. Use protective gloves.



### Warning

- All though the mains supply to the unit has been disconnected there is still risk for injury due to rotating parts that have not come to a complete standstill.

### Important

- The installation of the unit and complete ventilation system must be performed by an authorized installer and in accordance with local rules and regulations.
- The system should operate continuously, and only be stopped for maintenance/service.
- Do not connect tumble dryers to the ventilation system.
- Duct connections/duct ends must be covered during storage and installation.
- Make sure that filters are mounted before starting the unit.

## 4 About this document

This installation manual concerns air handling unit type SAVE VTR 150/K manufactured by Systemair. The manual consists of basic information and recommendations concerning the design, installation, start-up and operation, to ensure a proper fail-free operation of the unit.

The key to proper and safe operating of the unit is to read this manual thoroughly, use the unit according to given guidelines and adhere to all safety requirements.

## 5 Product information

### 5.1 General

The SAVE VTR 150/K is a heat recovery ventilation unit, with a built in rotary heat exchanger and integrated cooker hood. The SAVE VTR 150/K is suitable for smaller flats or houses. It supplies filtered outdoor air to residential areas and extract air from bathroom, kitchen and wet rooms.

There are two model options, right (R) and left (L) model (figure 1). The different models are recognized by the supply air outlet, which is situated on left side of the unit on an (L) unit and on the right hand side on an (R) unit. Both models come with 500 W or 1000 W installed re-heater battery.

## 5.2 Installation recommendation regarding condensation

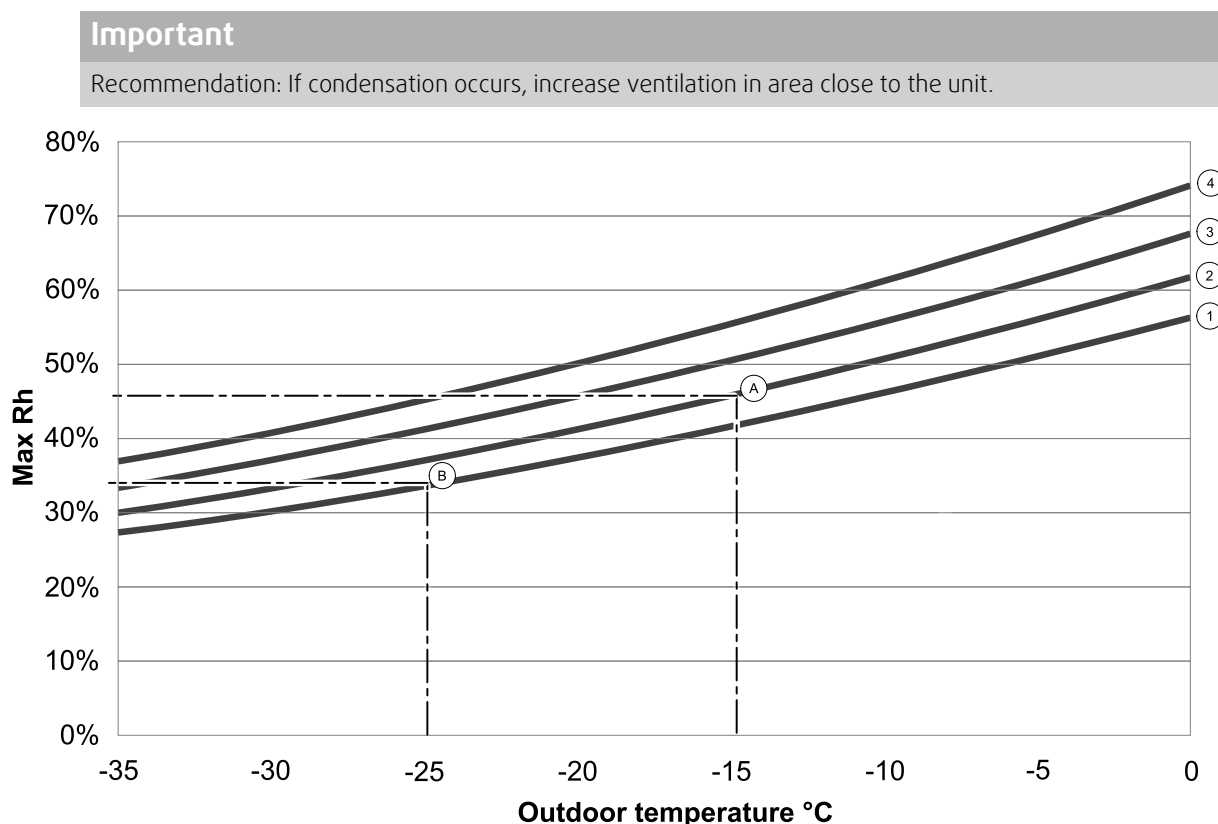
### 5.2.1 Condensation inside of the unit

When the unit is installed in a cold attic (close to outdoor temperature) the unit should run continuously. If the unit is intended to be stopped by the user manually or due to calendar function we recommend to install air tight dampers at extract and supply air ducts. The dampers will ensure that no air circulates from the warm parts of the building through the unit to outside (chimney effect). If no dampers are installed there is risk of condensation inside the unit and the outdoor ducts during these stop periods. It also might be that cold air from outside could pass the unit and enter into the building. That could cause condensation outside the supply and extract air ducts and even at the valves in the rooms.

When the unit is not running due to late commissioning in winter time, the supply and extract air ducts should be disconnected and closed due to above mentioned effects until commissioning and regular operation.

### 5.2.2 Condensation outside of the unit

When the unit is installed in warm humid areas (like laundry) together with low outdoor temperature there is a certain point where moisture can condense outside of the casing. The condensation relation to indoor relative humidity, room and outdoor temperature is shown diagram below. The condensation outside of the unit do not occur in zones bellow each curve.



1. Room temperature 20°C
2. Room temperature 22°C
3. Room temperature 24°C
4. Room temperature 26°C

Examples when condensation outside of the unit can occur:

**Example A:** If the unit is installed in room where temperature is 22°C, outside temperature is -15°C, then dew will start accumulating when relative humidity is 46% and higher.

**Example B:** If the unit is installed in room where temperature is 20°C, outside temperature is -25°C, then dew will start accumulating when relative humidity is 34% and higher.

## 5.3 Transport and storage

The SAVE VTR 150/K should be stored and transported in such a way that it is protected against physical damage that can harm panels etc. It should be covered so dust, rain and snow cannot enter and damage the unit and its components.

The appliance is delivered in one piece containing all necessary components, wrapped in plastic on a pallet for easy transportation.

## 5.4 Technical Data

### 5.4.1 Dimensions and Weight

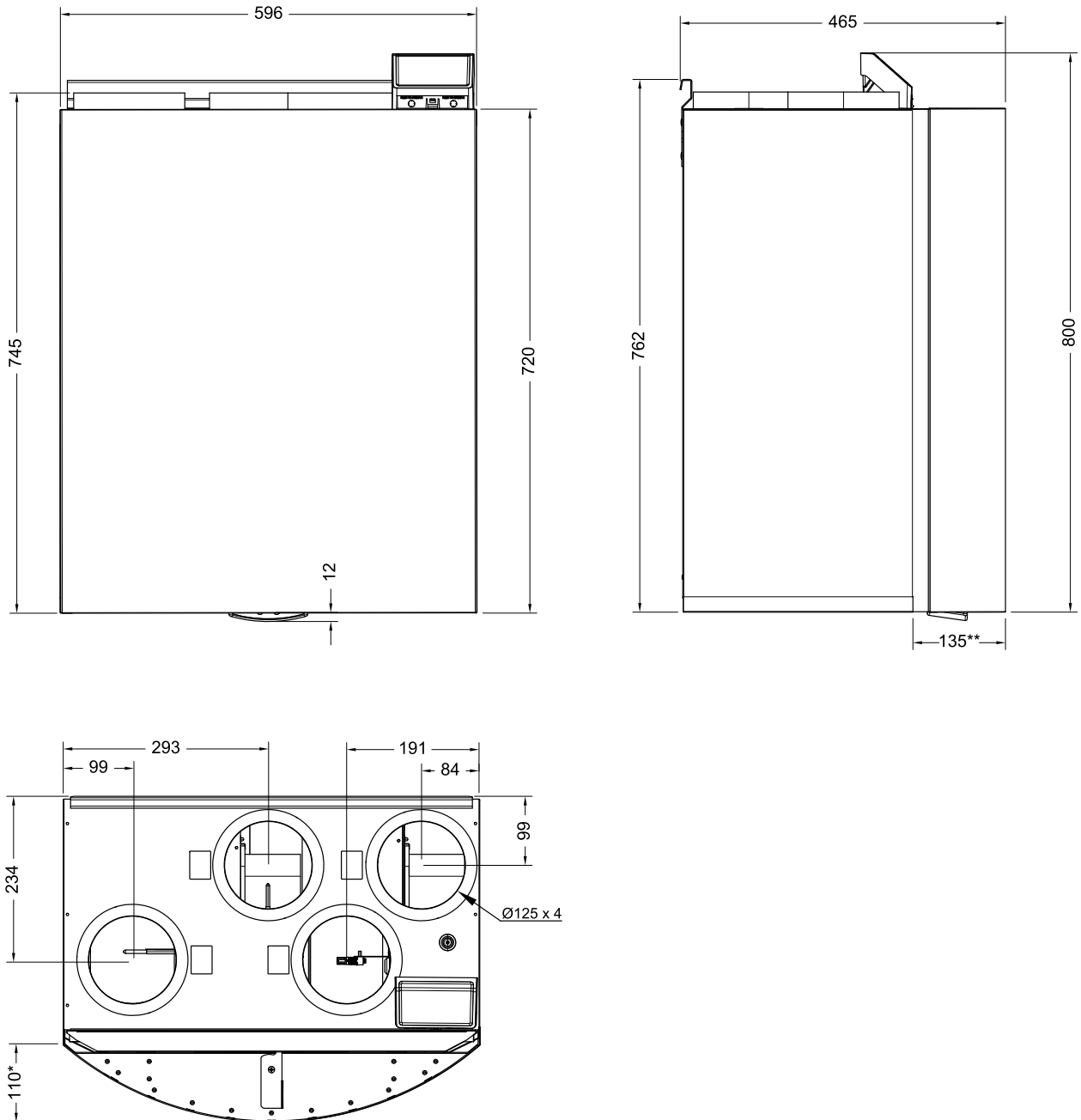


Fig. 1 Dimensions of left hand unit

The unit weight is 61 kg.



### 5.4.2 Connections Left and Right models

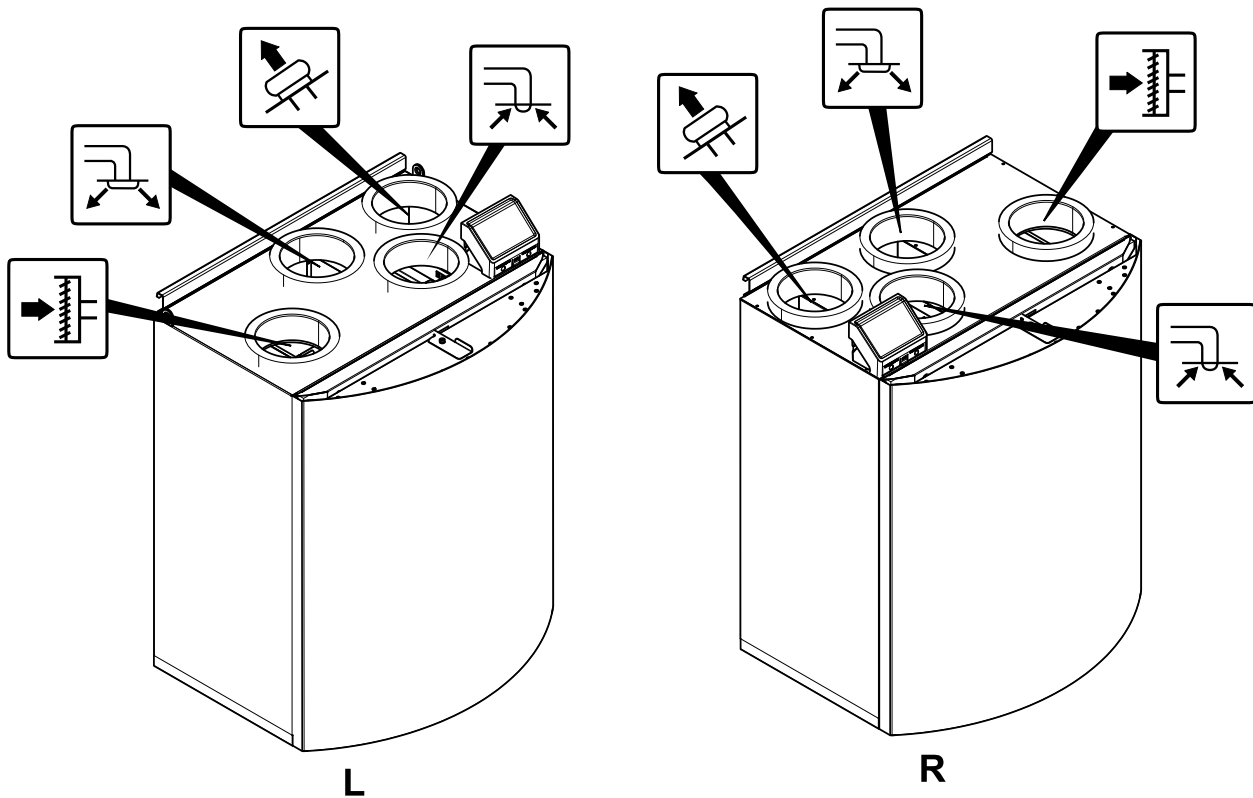


Fig. 2 Left and Right models

Position	Description
R	Right hand model (Supply air connection is situated on the right hand side of the unit viewed from the front)
L	Left hand model (Supply air connection panel is situated on the left hand side of the unit viewed from the front)

Symbol	Description	Symbol	Description
	Supply air		Outdoor air
	Exhaust air		Extract air

Duct connections: Ø 125 mm

### 5.4.3 System curves

Every change in the pressure of the ventilation system, will result in a different airflow.

Each curve shows a different airflow level setting:

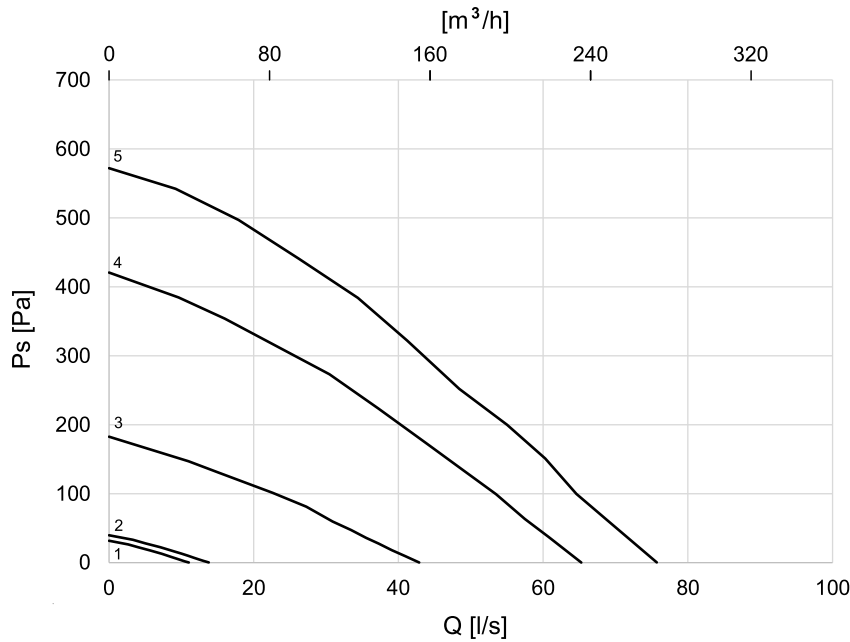
1. 16% (MINIMUM LEVEL)
2. 20% (LOW LEVEL)
3. 50% (NORMAL LEVEL)
4. 80% (HIGH LEVEL)
5. 100% (MAXIMUM LEVEL)

Airflow level settings can be changed in *Service* menu.

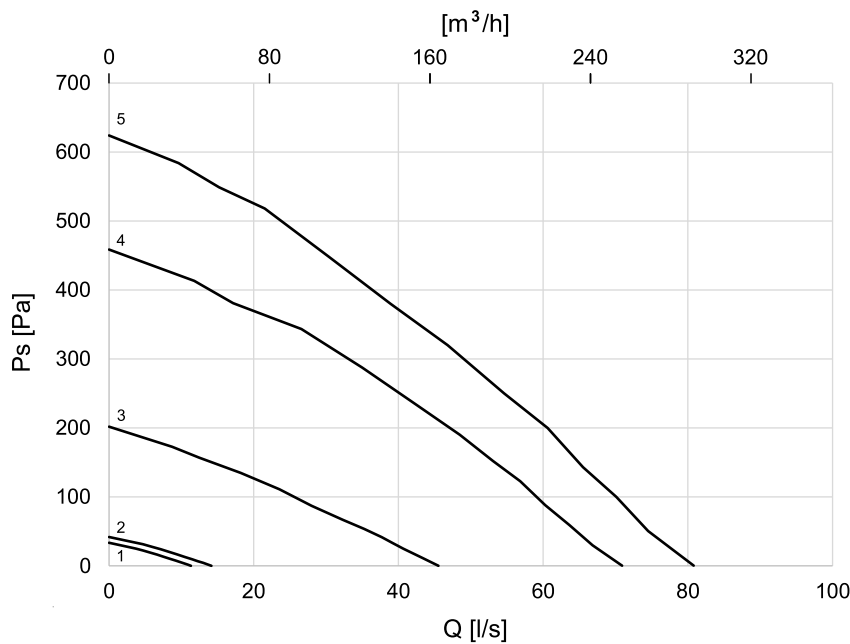
The pressure is affected by the filter type and differ with each filter combination.

System curves for each airflow level with standard filters shown bellow.

### 5.4.3.1 Supply air, M5/ePM10 60% type filter



### 5.4.3.2 Extract air, M5/ePM10 60% type filter



### 5.4.4 Power consumption and fuse size

SAVE VTR 150/K come with 500 W or 1000 W installed re-heater battery.

**Table 1 Electrical data**

Re-heater	500 W	1000 W
Fans	172 W	
Total power consumption	672 W	1172 W
Fuse	10 A	

## 6 Installation

### 6.1 Unpacking

Verify that all ordered equipment are delivered before starting the installation. Any discrepancies from the ordered equipment must be reported to the supplier of Systemair products.

### 6.2 Where/how to install

The SAVE VTR 150/K is to be mounted above a stove.

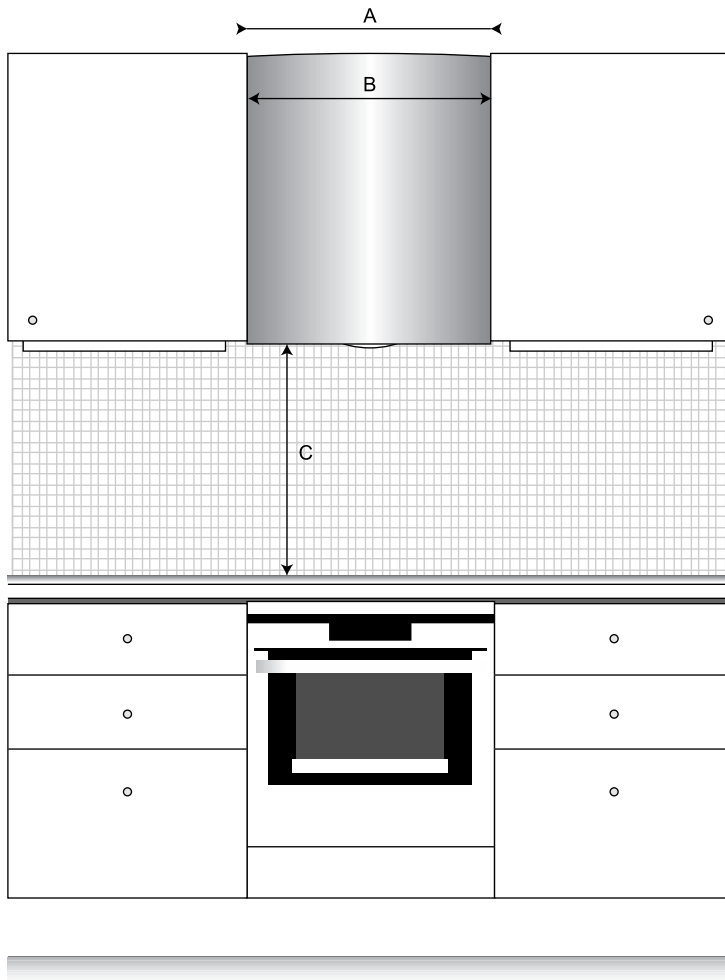


Fig. 3 SAVE VTR 150/K in a kitchen environment

<b>A</b>	Minimum distance between cabinets (mm)	600
<b>B</b>	SAVE VTR 150/K unit width (mm)	598
<b>C, Electrical stove</b>	Minimum distance between stove surface and cooker hood (mm)	450 (Recommended 500)
<b>C, Gas stove</b>	Minimum distance between stove surface and cooker hood (mm)	650

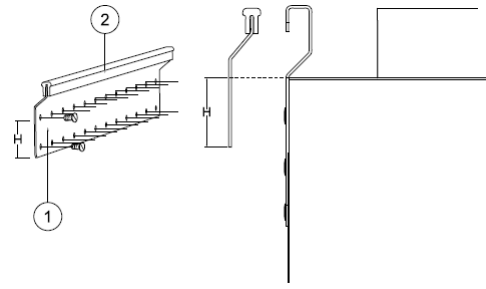
### 6.3 Installation procedure SAVE VTR 150/K

- 1 Prepare the surface where the unit is to be mounted. Make sure that the surface is flat, vertical and that it supports the weight of the unit. Perform the installation in accordance with local rules and regulations.

- Fit the mounting bracket (pos. 1) with the anti-vibration pad (pos. 2) to the wall with enclosed screws. Use appropriate holes to screw the bracket firmly to the wall. Bottom side of bracket should be 40 mm (H) below top of unit position.

**Note:**

Make sure that the mounting bracket is completely horizontal once mounted on the wall. Check with a spirit level.



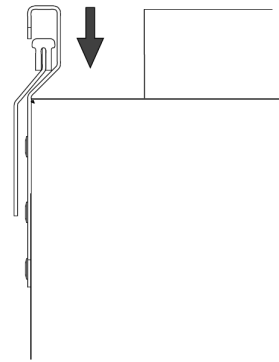
- Lift the unit in place

**Warning**

Beware of sharp edges during mounting and maintenance. Use protective gloves. Consider the unit weight when mounting!

**Note:**

Make sure that the unit is completely vertical and horizontal once mounted on the wall. Check with a spirit level.



- Connect the unit to the duct system. Make sure that all necessary accessories are used to create a functional ventilation solution.

**Warning**

The installation of the unit and complete ventilation system must be performed by an authorized installer and in accordance with local rules and regulations.

## 6.4 Remove/mount the outer front

The outer front is mounted with four pins and is removed by pushing the locking hock to the left and pulling the front towards you.

Re-mount the outer front in reverse order.

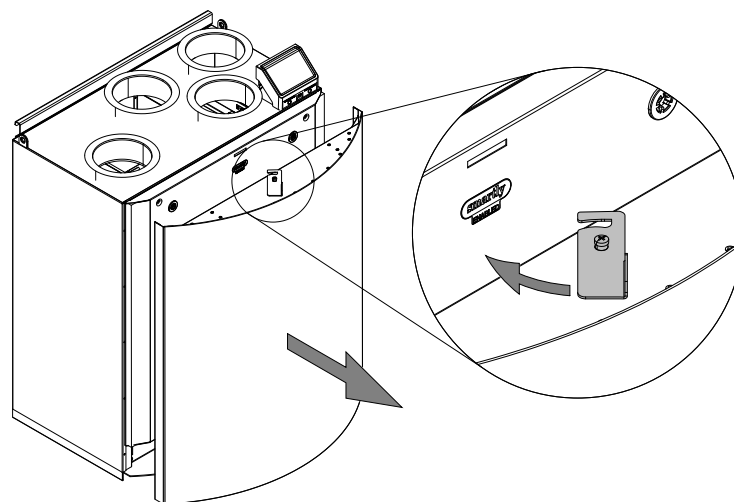


Fig. 4 Remove/mount the outer front

## 6.5 Remove/mount the inner front

The inner front is mounted with four screws. Loosen the screws and pull the inner front towards you.

Mount the inner front and tighten the mounting screws properly to prevent air leakage.



**Note:**

When mounting the inner front, note the two guide screws at the bottom of the inner front. These screws shall be fitted into the two slots in the inner hatch support bracket.

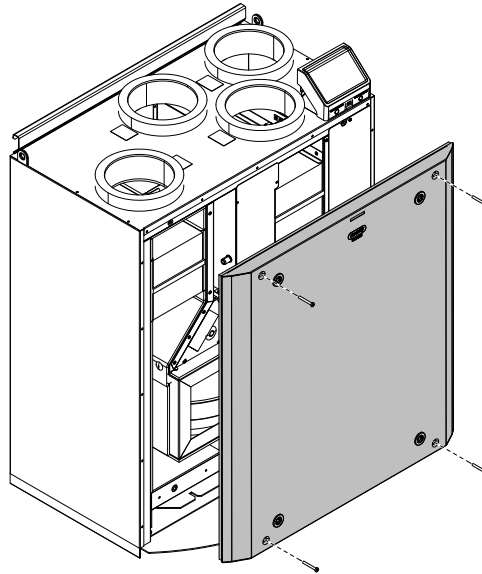


Fig. 5 Remove/mount the inner front

## 7 Configuration

### 7.1 General

SAVE VTR 150/K has a modern touchscreen LCD control panel, simply known as HMI – Human Machine Interface. The touchscreen display provides information about current state of the unit and allows you to control all system functions.

Settings are done by touching the icons or options. The touch screen is sensitive and it is not necessary to press too hard.

### 7.2 Startup wizard

During the first power up of the unit, you will be asked to set:

- menu language
- time and date
- airflow control type (Manual/RPM) and airflow level values
- heater type (None/Electrical/Water/Change-over)

If the start-up wizard is cancelled it will start again during next power up of the unit, this will continue until start-up wizard is successfully finished.

### 7.3 Common symbols

The following selection symbols are common and are present in most menu pages:



Back button to return to a previous menu, located at the upper left corner



Up arrow to increase a value



Down arrow to decrease a value



On and Off slider to activate or deactivate a function. White bubble – function is inactive, green bubble – function is active.

**CANCEL**

Button to cancel changes

**SET/OK**

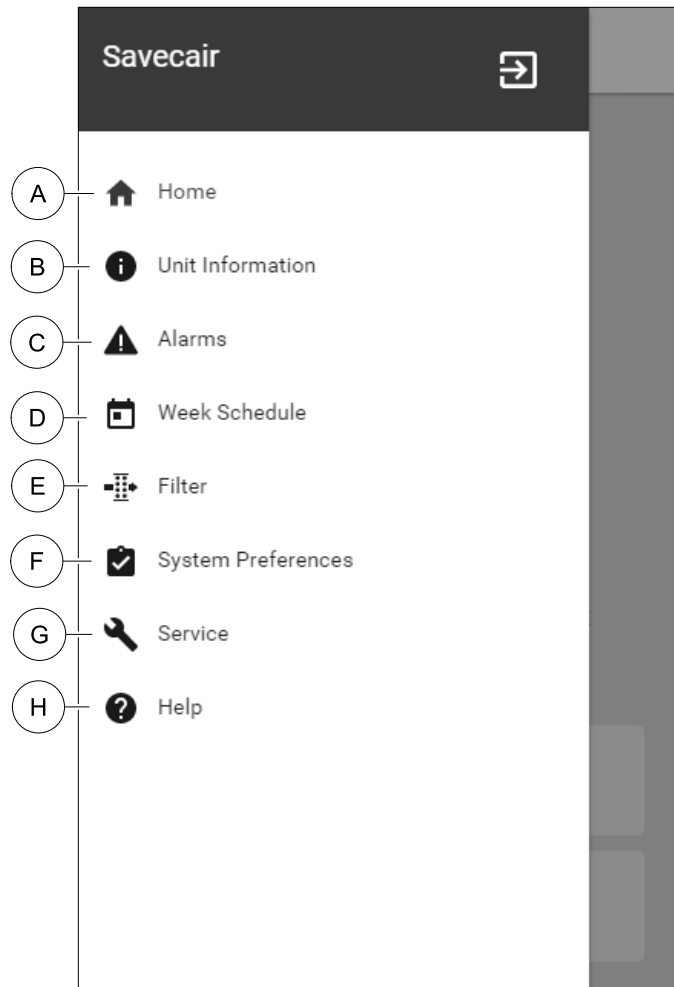
Buttons to confirm changes

Some menus have more than one page. Touch page indicator in the top right corner to go to the next page. The first number indicates current page number and the second number indicates a total number of pages available.


Many options show up in a form of the pop-up window. Select the option from the displayed list in the pop-up window and press OK to confirm selection.

## 7.4 Menu overview

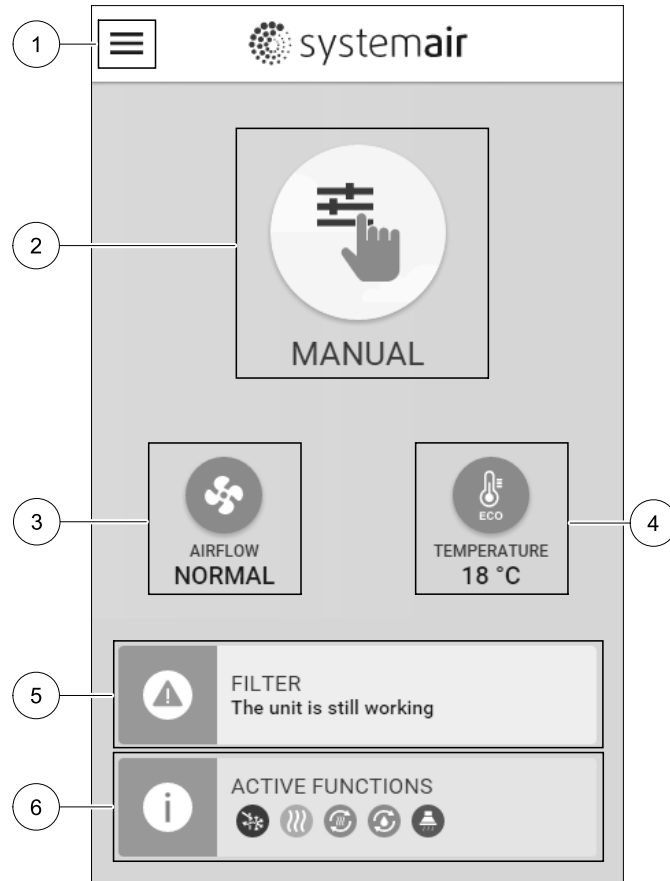
- A. Return to home screen
- B. Basic read-only information about the unit
- C. Currently active alarms and alarm history
- D. Configure and check week schedule
- E. Check and change remaining time till filter change
- F. General system preferences
- G. Configuration of all system parameters
- H. Help and troubleshooting menu



## 7.5 Home screen

 Touching home icon (pos. A) in drop-down menu list (pos. 1) will always returns you to home screen after commissioning.

1. Drop-down menu list
2. Active user mode
3. Airflow settings
4. Temperature settings
5. List of active alarms
6. Icon list of active user functions





### 7.5.1 User modes

The first icon at the top of home screen shows currently active user mode. To change the user mode, touch the active user mode icon (pos. 2) and select a new user mode from the list. The unit has 2 permanent and 5 temporary user modes available for selection. Only one mode can be active at a time.

Settings of all modes can be modified in *Service* menu.






#### 7.5.1.1 Permanent modes

Permanent modes are always active unless interrupted by temporary modes, activated user functions or alarms:

Icon	Text	Description
	AUTO	Automatic airflow control. <i>AUTO</i> mode is available for selection when <i>Demand Control</i> , <i>Week Schedule</i> and/or external fan control functions are configured, otherwise <i>AUTO</i> mode icon won't be visible in active user modes menu. <i>AUTO</i> mode activates <i>Demand Control</i> , <i>Week Schedule</i> and/or external fan control functions. <i>Demand</i> is available to choose as airflow setting in <i>Week Schedule</i> .
	MANUAL	Manual selection of airflow levels. The unit can be set run at one out of four available airflow speeds: <i>Off</i> / <i>Low</i> / <i>Normal</i> / <i>High</i> .  <b>Note:</b> The fan can be set to <i>OFF</i> by activating <i>Manual Fan Stop</i> function in <i>Service</i> menu.

#### 7.5.1.2 Temporary modes

Temporary modes are active only for a set period of time unless interrupted by active user modes, activated user functions or alarms:



Icon	Text	Description
	HOLIDAY	Sets speed of both supply and extract air fans to <b>Low</b> levels when user is away from home for a long period of time. ECO mode is active. Set duration in days.
	CROWDED	Sets speed of both supply and extract air fans to maximum <b>High</b> levels and temperature setpoint offset to $-3$ K when apartment is more crowded than usual. Default temperature setpoint offset is $-3$ K. Set duration in hours.
	AWAY	Sets speed of both supply and extract air fans to <b>Low</b> levels when user is away from home for a short period of time. ECO mode is active. Set duration in hours.
	REFRESH	Sets speed of both supply and extract air fans to maximum <b>High</b> levels to replace indoor air with a fresh air in a short period of time. Set duration in minutes.
	FIREPLACE	Sets speed of supply air fan to <b>High</b> level and extract air fan to <b>Low</b> level to increase air pressure within the apartment for better smoke extraction through the chimney. Set duration in minutes.

Settings of all modes can be modified in **Service** menu.

Temporary modes and user functions are active only for a set period of time after which they are terminated and the unit changes back to a former **AUTO** or **MANUAL** mode, depending on which one was active before temporary mode or user function was activated.

### 7.5.1.3 Digital input functions

Digital input functions always active while digital input is activated.

Icon	Text	Description
	Central Vacuum Cleaner	Function sets speed of supply air fan to <b>High</b> level and extract air fan to <b>Low</b> level to increase air pressure within the apartment for better dust collection through central vacuum cleaner. Function can be activated via digital input – <b>Central Vacuum Cleaner Function</b> .
	Cooker Hood	Sets speed of supply air fan to <b>High</b> level and extract air fan to <b>Low</b> level to increase air pressure within the apartment for better airborne grease and steam collection in the kitchen. Function can be activated via digital input – <b>Cooker Hood Function</b> .

### 7.5.1.4 Digital input and Mode hierarchy

User modes and functions have a different hierarchy. User functions activated via HMI or mobile APP, such as **AWAY**, **CROWDED**, **FIREPLACE**, **HOLIDAY** and **REFRESH**, are interrupted by manual selection of **AUTO** and **MANUAL** fan modes.

A **FIREPLACE** function has the highest priority between user functions. Other functions activated via HMI/APP can interrupt each other.

If **FIREPLACE** function is hard-wired on the connection board and configured as digital input (DI) then it has a higher priority than **AUTO** and **MANUAL** mode. Digital input for a **FIREPLACE** function has also a higher priority than other hard-wired digital inputs (DI) for: **AWAY**, **CENTRAL VACUUM CLEANER**, **COOKER HOOD**, **CROWDED**, **HOLIDAY** or **REFRESH**.

#### Digital input and Mode hierarchy:

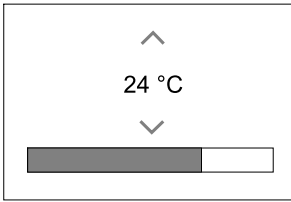
1. **EXTERNAL STOP**
2. **FIREPLACE** function
3. **COOKER HOOD**, **CENTRAL VACUUM CLEANER**, **CROWDED**, **REFRESH** functions
4. **AWAY**, **CROWDED** functions



### 7.5.2 Temperature settings



Temperature can be set at **SET TEMPERATURE** menu accessible from the home screen by touching **TEMPERATURE** icon with thermometer. Default temperature value is 18°C (range 12–30°C).



Use up and down arrows or a slider to change the value.

Then touch the **OK** button to confirm changes.

Temperature set point is for room air temperature, supply air temperature or for extract air temperature depending on which control mode is active. Default setting is **Supply air temperature control**.

Control mode of the temperature can be changed in **Service** menu.

#### 7.5.2.1 ECO mode



**ECO mode** is a power saving function that can be activated in **SET TEMPERATURE** menu.

**ECO mode** function is available only when an internal heater is installed and configured.

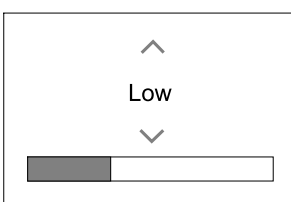
While **ECO mode** is active, a temperature setpoint at which heater is activated is lowered to avoid activation of the heater during cold nighttime.

If the temperature is very low and the heater is activated during the nighttime (even with lowered temperature setpoint), then during the upcoming daytime indoor temperature will be increased using the heat exchanger so that accumulated heat could be used during the next cold nighttime, the lowered setpoint for the heater remains.

<b>ECO mode will have impact for the following user functions/modes if selected:</b>	<b>ECO mode is always activated by the following modes:</b>
<ul style="list-style-type: none"> <li>• AUTO mode</li> <li>• MANUAL mode</li> <li>• AWAY mode</li> <li>• HOLIDAY mode</li> <li>• CENTRAL VACUUM CLEANER function</li> <li>• COOKER HOOD function</li> <li>• FIREPLACE mode</li> </ul>	<ul style="list-style-type: none"> <li>• AWAY mode</li> <li>• HOLIDAY mode</li> </ul>
	<b>ECO mode is always deactivated by the following user functions/modes:</b>
	<ul style="list-style-type: none"> <li>• CROWDED mode</li> <li>• REFRESH mode</li> <li>• FREE COOLING function</li> </ul>

### 7.5.3 Airflow settings

Airflow settings are available only in **MANUAL** mode. Click on fan icon on the main screen to enter **SET AIRFLOW** menu.



Use up and down arrows or a slider to change the airflow value.

The airflow may be adjusted in these steps: *Off/Low/Normal/High*. These settings control output signals to the supply and extract fans.

**Important**

It is **not** recommended to set fan to *off* in standard households. If manual fan stop is activated, the unit should be provided with dampers in exhaust and fresh air ducts to avoid cold draught and risk of condensation when the unit has been stopped.  
The fan can be set to *Off* by activating *Manual Fan Stop* function in *Service* menu.

**7.5.4 Indoor Air Quality**



The unit automatically controls indoor humidity and/or CO<sub>2</sub> levels by adjusting airflow setting. Airflow is increased if air quality is decreasing.

*Demand Control* function is responsible for IAQ (Indoor Air Quality) regulation. Relative humidity (RH) and/or CO<sub>2</sub> sensors are responsible for IAQ monitoring.

Indoor air quality (IAQ) indicator is available if *AUTO* mode and *Demand Control* function is activated.

**IAQ levels:**

- *ECONOMIC*: Actual IAQ value is below low IAQ set point.
- *GOOD*: Actual IAQ value is between low and high IAQ limits.
- *IMPROVING*: Actual IAQ value is above high IAQ set point.

Different airflow settings can be set for *IMPROVING* and *GOOD* IAQ levels in *Service* menu.

Setpoint for relative humidity and CO<sub>2</sub> level can be set in *Service* menu.

**7.5.5 Status line**

Status line located at the bottom area of home screen displays information about:



List of active alarms. See chapter 7.7.2.3 for more information.









List of active user functions. See chapter 7.6 for more information.

Touching any of these lines will move you to the next page with more detailed list and information about each alarm or active user function.

**7.6 Description of User function icons**

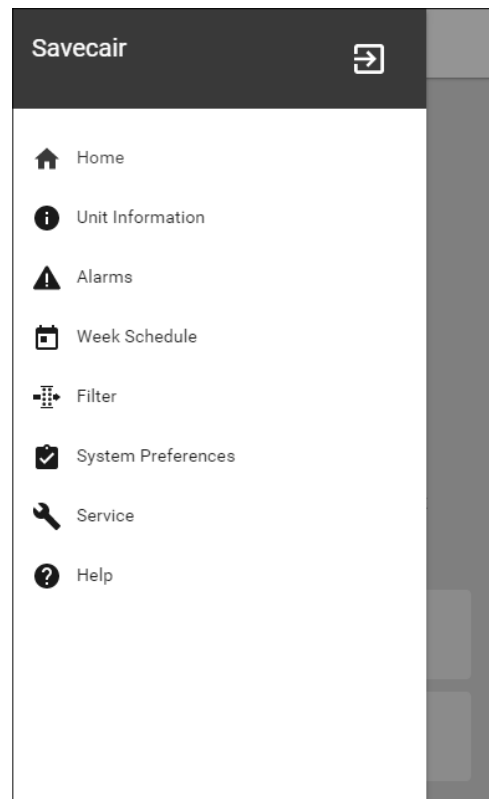
Icon	Text	Description
	Heating	Connected heater or pre-heater is active and air heating is in process.
	Heat recovery	Heat recovery from apartment is active.
	Cooling	Connected cooler is active and air cooling is in process.
	Cooling recovery	Automatic cooling recovery is active when extract air temperature from apartment is lower than outdoor air temperature and there is a cooling demand (temperature setpoint is lower than outdoor air temperature). No cooling recovery with heating demand. If the outdoor air temperature is higher than then thee indoor air temperature and there is a heating demand, function <i>Free heating</i> is activated instead.
	Free cooling	Function decreases indoor air temperature by using only cool outdoor air during nighttime to save energy consumption.

Icon	Text	Description
	Moisture transfer	Function controls the rotation speed of the heat exchanger to prevent moisture transfer to supply air due to high relative humidity in the extract air. Function is only available for units with <code>Rotating</code> type heat exchanger.
	Defrosting	Function prevents formation of the ice on the heat exchanger during cold outdoor temperatures.
	Secondary air	Warm air from the living space is used to defrost the heat exchanger using a damper inside the outdoor air duct. The unit switches from outdoor air to secondary air while the extract air fan stops and warm secondary air increases the temperature inside the heat exchanger.
	Vacuum cleaner	Function sets speed of supply air fan to <code>High</code> level and extract air fan to <code>Low</code> level to increase air pressure within the apartment for better dust collection through central vacuum cleaner. Function can be activated via digital input – <code>Central Vacuum Cleaner Function</code> . Always active while digital input is activated.
	Cooker hood	Sets speed of supply air fan to <code>High</code> level and extract air fan to <code>Low</code> level to increase air pressure within the apartment for better airborne grease and steam collection in the kitchen. If a cooker hood with integrated fan is used, then it is recommended to set airflow levels of both fans to <code>Normal</code> . Function can be activated via digital input – <code>Cooker Hood Function</code> . Always active while digital input is activated.
	User lock	Function indicates that the system is locked with a password and cannot be edited or settings changed in any way. System must be unlocked first to make changes.

### 7.7 Main menu



User settings and advanced settings



## 7.7.1 Unit Information



A basic read-only information about status of the unit, configured components and inputs/outputs.

### 7.7.1.1 Components

Type and settings of heat exchanger, heater, cooler, extra controller.

### 7.7.1.2 Sensors

Values from sensors and load of fans (rpm).

### 7.7.1.3 Input Status

Status of configured analog, digital and universal inputs. Connected component type and raw value (volts) is displayed.

### 7.7.1.4 Output Status

Status of configured analog, digital and universal outputs. Connected component type and value (volts) is displayed.

### 7.7.1.5 Unit Version

Unit model name, manufacturer number, serial number and unit software versions for Mainboard, HMI and IAM.

## 7.7.2 Alarms



A detailed information about active system alarms and alarm log of last 20 events.

### 7.7.2.1 Active Alarms

Alarm screen is empty if there are no active or logged alarms.

Press **HELP** button on the active alarm to access FAQ and troubleshooting (if available). Press **ACKNOWLEDGE** on the individual alarm to clear it. Depending on alarm type and the cause, it might be necessary to do a troubleshooting first to acknowledge active alarm.

It may be not possible to clear the status of alarm if the cause of alarm is still present, as that would immediately trigger alarm to return.

### 7.7.2.2 Alarms log

Alarm log allows to view last 20 alarms.

Each alarm contains information:

- Alarm name
- Date/time stamp
- Information if the alarm stops the unit or other note

### 7.7.2.3 Alarm list

Alarm name	Explanation	Do the following
Frost protection	Frost protection of return water in heating coil. <ul style="list-style-type: none"> <li>Alarm stops the unit and opens the water valve completely.</li> </ul>	The alarm will reset once the water temperature reaches 13°C. Check the water fluid temperature in heating coil. Check the circulation pump of water heater. Contact your installation company or place of purchase.
Frost protection temperature sensor	Indicates malfunction of water heater temperature sensor. <ul style="list-style-type: none"> <li>Alarm stops the unit.</li> </ul>	Check that frost protection temperature sensor is connected properly and cable is not damaged. Contact your installation company or place of purchase.
Defrosting error	Indicates failure of pre-heater to preheat the incoming outdoor air (in case Extra controller is configured as Preheater). <ul style="list-style-type: none"> <li>Alarm stops the unit.</li> </ul>	Check the pre-heater reset button. Check the pre-heater cabling. Contact your installation company or place of purchase. Defrosting error may be caused by extremely low outdoor air temperatures or pre-heater failure.
Supply air fan rpm	Rotation speed of the supply air fan is lower than minimum required. Fan malfunction. <ul style="list-style-type: none"> <li>Alarm stops the unit.</li> </ul>	Check quick connectors of the fan. Contact your installation company or place of purchase.
Extract air fan rpm	Rotation speed of the extract air fan is lower than minimum required. Fan malfunction. <ul style="list-style-type: none"> <li>Alarm stops the unit.</li> </ul>	Check quick connectors of the fan. Contact your installation company or place of purchase.
Supply air fan control error	Flow or pressure alarm for supply air. The pressure is bellow pressure limit. <ul style="list-style-type: none"> <li>Alarm stops the unit.</li> </ul>	Check that air tube for pressure sensor is connected properly and cable is not damaged. Contact your installation company or place of purchase.
Extract air fan control error	Flow or pressure alarm for extract air. The pressure is bellow pressure limit. <ul style="list-style-type: none"> <li>Alarm stops the unit.</li> </ul>	Check that air tube for pressure sensor is connected properly and cable is not damaged. Contact your installation company or place of purchase.
Fire alarm	Fire alarm is active. <ul style="list-style-type: none"> <li>Alarm stops the unit.</li> </ul>	Once the external Fire alarm is disabled – alarm has to be acknowledged and unit restarted.
Emergency thermostat	Indicates triggered overheat protection (in case of installed electric re-heater battery).	A triggered manual or automatic overheat protection (EMT) gives an alarm in the control panel. In case a manual overheat protection is triggered, reset it by pushing the reset button. If the automatic overheat protection is triggered, it will reset automatically once the temperature has dropped. If the problem continues contact your installation company or place of purchase.

Alarm name	Explanation	Do the following
Bypass damper	Indicates malfunction in bypass damper.	Disconnect the main power supply for 10 seconds to reset control function. Power up the unit, an automatic bypass damper test will be performed. If the alarm occurs again after approximately 2 minutes – contact your installation company or place of purchase.
Rotor guard	Indicates a rotor malfunction. No rotation guard signal for 180 seconds.	If the rotating heat exchanger has stopped. Check the rotor belt. If the heat exchanger is still rotating, check that the quick connector for the sensor is connected and that there is an air gap of 5-10 mm between the sensor and the magnet. Adjust the gap if necessary. If the alarm persists, the rotor sensor may be faulty. Contact your installation company or place of purchase.
Secondary air damper	Secondary air defrosting failed. Outdoor air temperature sensor measures < 10°C in 2 sec after defrosting OR Outdoor air temperature sensor measures < 5°C in 5 min after defrosting	Check if secondary air damper is in correct position. Check that damper is connected properly and cable is not damaged. Contact your installation company or place of purchase.
Outdoor air temperature sensor	Indicates outdoor air temperature sensor malfunction.	Check that sensor is connected properly and cable is not damaged. Contact your installation company or place of purchase.
Overheat temperature sensor	Indicates overheat temperature sensor malfunction.	Check that sensor is connected properly and cable is not damaged. Contact your installation company or place of purchase.
Supply air temperature sensor	Indicates supply air temperature sensor malfunction.	Check that sensor is connected properly and cable is not damaged. Contact your installation company or place of purchase.
Room air temperature sensor	Indicates room air temperature sensor malfunction.	Check that sensor is connected properly and cable is not damaged. Contact your installation company or place of purchase.
Extract air temperature sensor	Indicates extract air temperature sensor malfunction.	Check that sensor is connected properly and cable is not damaged. Contact your installation company or place of purchase.
Extra controller temperature sensor	Indicates extra controller temperature sensor malfunction.	Check that sensor is connected properly and cable is not damaged. Contact your installation company or place of purchase.
Efficiency temperature sensor	Indicates efficiency temperature sensor malfunction.	Check that sensor is connected properly and cable is not damaged. Contact your installation company or place of purchase.

Alarm name	Explanation	Do the following
PDM RH	Indicates internal relative humidity sensor malfunction. Active: measured humidity = 0% Returned: measured humidity > 5%	Check that sensor is connected properly and cable is not damaged. Contact your installation company or place of purchase.
PDM RH Extract air temperature	Indicates internal extract air temperature sensor malfunction. Active: measured temperature = 0°C Returned: measured temperature > 5°C	Check that sensor is connected properly and cable is not damaged. Contact your installation company or place of purchase.
Filter	Time for filter change.	Change the filter. Change filter according to the instructions in the User Manual. Details about filter retailers can be found in Help menu.
Extra controller alarm	Error from external device.	Check if external device is connected properly and cable is not damaged. Reset overheat protection on electrical pre-heater. Contact your installation company or place of purchase.
External stop	Unit is stopped by external signal.	Operation is stopped by digital signal from external remote device or signal from building management system.
Manual fan stop active	Operation stopped, fans are in manual mode and selected as OFF.	Select another speed of fans (LOW / NORMAL / HIGH) or AUTO mode in HMI home screen.
Overheat temperature	Temperature after reheater is too high. Active: (Overheat temperature sensor measures > 55°C) Returned: (Overheat temperature sensor measures < 50°C)	Alarm is possible if supply airflow is too low when the reheater is switched on. Check the supply airflow. Check that intake grille is not blocked. Check that shut off damper for outdoor air is open in operation. Contact your installation company or place of purchase.
Low supply air temperature	Supply air temperature is too low. Active: (Outdoor air temperature sensor measures < 0°C) <b>AND</b> (Supply air temperature sensor measures < 5°C) Returned: (Supply air temperature sensor measures > 10°C)	Check the heat exchanger and reheater or refer to Point 2 in "Troubleshooting" menu.
CO <sub>2</sub>	External CO <sub>2</sub> sensor malfunction.	Check that sensor is connected properly and cable is not damaged. In case sensor wireless – check RS485 gateway status and sensor status in HMI. Contact your installation company or place of purchase.

Alarm name	Explanation	Do the following
RH	External relative humidity sensor malfunction.	Check that sensor is connected properly and cable is not damaged. In case sensor wireless – check RS485 gateway status and sensor status in HMI. Contact your installation company or place of purchase.
Output in manual mode	One or more of analogue outputs are in manual mode.	Check Service menu for Output settings, and check all configured outputs to be in Auto mode. If any outputs in Manual - change back to Auto mode.

Alarm `Fire Alarm` can be only activated with a digital signal from a smoke/fire detection system or similar. Digital input has to be configured as `Fire Alarm` for this alarm to work.

Digital output configured as `Sum alarm` sends a generic signal every time the alarm is triggered. This signal does not specify the alarm type.

### 7.7.3 Week Schedule



The unit can be configured to operate at set airflow levels up to two time periods (00:00–23:59) on user selected days. `Week Schedule` is active only during `AUTO` mode.

#### 7.7.3.1 Schedule airflow settings

Touch settings icon to go to `SCHEDULE AIRFLOW SETTINGS` menu. In this menu set airflow level for scheduled and unscheduled periods. Available levels: `Off`, `Low`, `Normal`, `High` or `Demand`. Set temperature setpoint offset for both periods (-10°C – 0°C).





Demand level is available only if `Demand Control` or `External fan` function is active.

#### 7.7.3.2 Edit schedule



Touch icon at the bottom left corner of the screen to add a new schedule or press `EDIT` button to modify already added schedule.

To configure the schedule:

1. Set the time. Touch the `START TIME` or `END TIME` values to change time. Use arrow buttons  and  to increase or decrease value. Confirm with `OK` button.



#### Note:

Scheduled time can start but never end at midnight (00:00). The latest `END TIME` period is 23:59. Scheduled time cannot go to the next day. 12 or 24 hour time format can be changed in `System Preferences` menu.

If necessary, activate second scheduled period and set up time.

2. Once time is set, click on the day(s) when schedule should be active. It is possible to set a separate schedule for each day.

Already scheduled days are not available for selection for new schedules.

3. Confirm schedule with `OK` button.



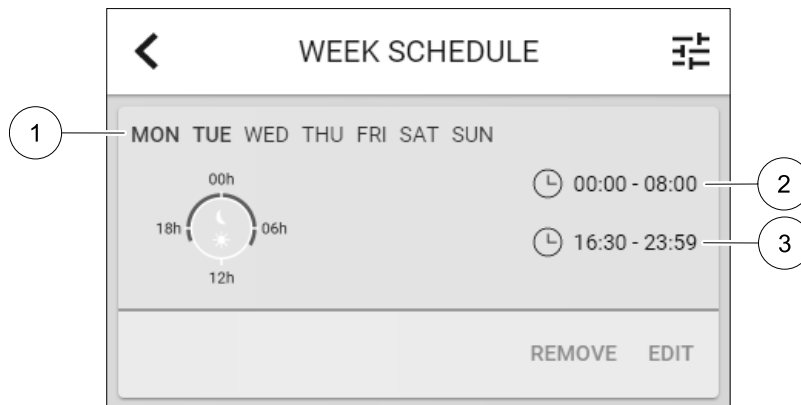
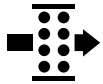


Fig. 6 Week schedule example

Scheduled days are highlighted (pos. 1). First time period (pos. 2) and the second time period (pos. 3) are shown on the right side of each schedule.

#### 7.7.4 Filter



In this menu the remaining time until filter change is displayed. Editing is locked with a password, use administrator password. See *Password Settings* in *Service* menu for more information.

Set duration of the filter until next change for period of 3–15 months in steps of 1 month. Default setting is 12 months.

If a new filter period is selected and confirmed or filter alarm is acknowledged, the timer resets and starts counting from the beginning.

Information what filter type is needed for change or where to order a new filter can be found in *Help* menu.

#### 7.7.5 System Preferences



Configuration of unit location, language and time.

Change the following information:

- Language (default language is English)
- Country (default country is UK)
- Unit address (address, post code)
- Unit date and time, activate or deactivate summer/winter time switch.

Time will automatically change between summertime and wintertime according to European standard, based on Greenwich time zone and set unit location.

Switch between 12 and 24 hours time format.

- Contact information: contractor, installer, service, phone, website, e-mail, etc.
- Display settings: screen brightness and screen behavior in standby mode.

#### 7.7.6 Service



All unit parameters and settings can be changed in the *Service* menu. The *Service* menu is locked by default and it is necessary to enter a password (default password is 1111).

##### 7.7.6.1 Input



Configuration of inputs

Settings for analog, digital and universal input terminals on the main board and connection board, configuration of functionality.

**Table 2 Digital universal inputs available for selection**

User modes	Activation of specific user modes.
Central Vacuum Cleaner	Activation of Central vacuum cleaner function.
Cooker hood function	Activation of Cooker Hood function.
External Stop	Air handling unit is stopped by an external command.
Extra controller Alarm	Indication about an alarm in external controller. Used for Extra Heater/Cooler/Preheater.
Change-over feedback	Used with Change-over systems. Indicate if the temperature of heating/cooling fluid in the system is right.
Fire Alarm	Air handling unit is stopped due to fire. Can be used with smoke alarms or similar.

Relative humidity and rotation speed signals from fans are already pre-addressed to specific terminals and cannot be changed, all other inputs are free for configuration by commissioning. Inputs are free to be used for any purpose.

Digital inputs are restricted by signal type and physical number of connections. An input function is only allowed to be used once.

Universal input (UI) configured as universal analog input (UAI) can be configured for several inputs because multiple sensors of the same type can be used. Universal analog inputs (UAI) have only selections for RH Sensor (RH), CO<sub>2</sub> Sensor (CO<sub>2</sub>), Supply Air Fan Control (SAFC) and Extract Air Fan Control (EAFC) wired configurations.

Analog input (AI) temperature sensors are not allowed to be configured more than once.

Already used and configured input signal type is greyed out and not available for selection. However some user functions related to configuration of digital input (AWAY, CROWDED, FIREPLACE, HOLIDAY or REFRESH) have several possible activation points, via HMI/APP/Wireless/Modbus (BMS).

Digital inputs can be configured to be normally open (Normally Open (NO)) or normally closed (Normally Closed (NC)). Default setting is Normally Open (NO). Not available for wireless inputs.

PDM (pulse density modulation) input for relative humidity (RH) sensor on the main board is pre-addressed and cannot be changed.

**Table 3 Overview of input configuration**

Analog inputs	Digital inputs	Universal analog inputs	Universal digital inputs
Input type Value Compensation	Input type Polarity Value	Input type Analog type Value	Input type Digital type Polarity Value

### 7.7.6.2 Output



Configuration of outputs.

Settings for analog, digital and universal output terminals on the main board and connection board, configuration of functionality.

**Table 4 Digital outputs available for selection**

Step controllers for Heating/Cooling/Extra controller	Heater/Cooler/Extra controller control signals.
Sum Alarm	Fault indicating output.
Outdoor-/Exhaust Air Damper	Outdoor-/Exhaust air damper control signal.
Secondary Air	Secondary air damper control.
Activate Cooling	Cooling mode activation signal to an external system.

## Digital outputs available for selection cont'd

Interlock External fan Control	Automatic indication about prohibited external fan control (i.e. if defrosting is activated).
Circulation pump Heating/Cooling/Extra controller	Start/Stop signal to the circulation pump of the Heating/Cooling/Extra controller.

Fan output PWM (Pulse-width modulation) signal and triac output are already pre-addressed to specific terminals and cannot be changed, all other outputs are free for configuration by commissioning. Outputs are free to be used for any purpose.

Digital outputs are restricted by signal type and physical number of connections.

An output function is only allowed to be used once. Already used and configured terminal is greyed-out in the menu for output type selection.

Analog and digital outputs have a selection for `Auto/Manual` modes and an adjustable value for `Manual` mode.

`Manual` mode selection overwrites all system related automatic functions. Analog output adjustable manual value range is 0–10V and digital output values `On/Off`.

### Table 5 Overview of output configuration

Analog outputs	Digital outputs
Output type Auto/Manual Value	Output type Auto/Manual Value

### 7.7.6.3 Components



Configuration of connected components.

#### Heat Exchanger

- Choose heat exchanger type.  
Available types: `Rotating` / `Plate`
- Activate or deactivate passive house function if heat exchanger type `Rotating` is selected.  
Options: `Yes` / `No`.
- Choose bypass damper location if heat exchanger type `Plate` is selected. Default setting is based on unit type.  
`Supply` / `Extract`
- Set actuator type. Default setting is based on unit type.  
Range: 0–10 V / 2–10 V / 10–0 V / 10–2 V.

#### Heater

- Choose heater type. Each selection unlocks additional configuration options. Default setting is based on unit type.  
Available types: `None` / `Electrical` / `Water` / `Change-over`.
- Set actuator type. Default value is 0–10 V.  
Range: 0–10 V / 2–10 V / 10–0 V / 10–2 V.
- Set circulation pump temperature. Default setting is 10°C. This option is available if `Water` / `Change-over` heater type is selected.  
Range: 0–20°C.
- Set circulation pump stop delay. Default setting is 5 minutes. This option is available if `Water` / `Change-over` heater type is selected.  
Range: `Off` / 1–60 min.

#### Cooler

- Choose cooler type. Each selection unlocks additional configuration options. Default setting is `None`.  
Available types: `None` / `Water` / `Change-over`.

- Set outdoor air temperature interlock. Default setting is 10°C.  
Range: 0–20°C.
- Set actuator type. Default value is 0–10 V  
Range: 0–10 V / 2–10 V / 10–0 V / 10–2 V.
- Set circulation pump stop delay. Default setting is 5 minutes. This option is available if water / Change-over heater type is selected.  
Range: off / 1–60 min.

#### Extra controller

- Choose extra controller type. Each selection unlocks additional configuration options. Default setting is None.  
Available types: None / Preheater / Heating / Cooling.
- Set temperature set point of the extra controller. Default value is 0°C.  
Range: –30°C – 40°C.
- Set P-band. Default setting is 4°C.  
Range: 1–60°C.
- Set I-time. Default setting is off.  
Range: off / 1–240 sec.
- Set actuator type. Default value is 0–10 V.  
Range: 0–10 V / 2–10 V / 10–0 V / 10–2 V.
- Set circulation pump temperature. Default setting is 0°C. This option is available if Preheater controller type is selected.  
Range: 0–20°C.
- Set circulation pump stop delay. Default setting is 5 minutes.  
Range: off / 1–60 min.

### 7.7.6.4 Control Regulation



Configure how the system is controlled.

#### Temperature Control

- Configure temperature controller. Choose control mode:  
Available modes: Supply air temperature control / Room temperature control / Extract air temperature control
- Choose temperature unit. Default setting is Celsius.  
Available units: Celsius / Fahrenheit
- Set P-band. Default setting is 20°C. Set I-time. Default setting is 100 sec.
- Configure SATC split for heater (0–20%), heat exchanger (25–60%) and cooler (65–100%) output settings.  
Range: 0–100%.
- Configure cascade control setpoint for min/max supply air temperature, P-band, I-time.  
Only available for Room temperature control / Extract air temperature control modes.

#### ECO mode

- Configure ECO mode settings. Set heater offset. Default setting is 5°C.  
Range: 0–10°C.

#### Fan Control

- Configure airflow and fan settings. Select fan control (airflow) type. Default setting is Manual (%).  
Available types: Manual (%) / Manual rpm / Flow (CAV) / Pressure (VAV) / External

Setting	Manual	RPM	Flow (CAV)	Pressure (VAV)	External
Airflow measurement unit.	%	rpm	l/s, m <sup>3</sup> /h, cfm	Pa	%
P-Band	-	0-3000 rpm	0-500 Pa Default setting: 150 Pa	-	-
I-time	-	off / 1-240 sec. Default setting: 5 sec.	off / 1-240 sec. Default setting: 5 sec.	-	-
Airflow level settings for each level: MAXIMUM LEVEL, HIGH LEVEL, NORMAL LEVEL, LOW LEVEL, MINIMUM LEVEL	16-100%	500-5000 rpm	Sensor range (airflow unit)	-	0-100%
Manual Fan Stop – turn on or off manual fan stop, this function enables manual fan stop from HMI. Default setting is OFF.					
Pressure Sensors – configure sensor voltage relation to pressure. Set value at which fan alarm occurs. Default setting is None	-	-	Supply air fan control sensor: Pressure at 0V: 0-500 Pa, default setting 0 Pa Pressure at 10V: 0-2500 Pa, default setting 500 Pa. Extract air fan control sensor: Pressure at 0V: 0-500 Pa, default setting 0 Pa. Pressure at 10V: 0-2500 Pa, default setting 500 Pa	-	-
Set K factor for supply air fan and extract air fan. Default settings are based on unit type.	-	-	SAF K-Factor range: 0-1000 EAF K-Factor range: 0-1000	-	-
Outdoor Compensation	A purpose of this function is to reduce the ventilation intensity during cold outdoor periods in order to increase the supply air temperature and to avoid freezing of the heat exchanger. Compensation can be applied for the supply air fan (unbalanced airflow) or both supply and extract air fans if unbalanced airflow is not allowed. Function linearly reduces speed of the fan by a value set in Stop Compensation Value (range: -50% to 0%, default 0 °C) from a fixed outdoor air temperature of 0 °C to temperature set in Stop Compensation Temperature (range: -25 °C to 0 °C, default 0 °C). For units with plate heat exchanger it is recommended to set the Stop Compensation Value to -20% and Stop Compensation Temperature value to -5 °C. For units with Rotating heat exchangers it is recommended to set the Stop Compensation Value to -30% and Stop Compensation Temperature value to -25 °C.				

### Important

Changing the airflow type does not change P-band value automatically. P-band value have to be changed manually after changing the airflow type.

#### Demand Control

Configure indoor air quality sensors. Once sensor(s) are configured, Demand Control function is activated by choosing AUTO mode in home screen.

- Activate or deactivate CO<sub>2</sub> sensor. Default setting is OFF.  
Set CO<sub>2</sub> sensor setpoint. Default setting is 800 ppm (parts per million in atmosphere). Normal atmospheric CO<sub>2</sub> concentration is 400 ppm. Range: 100-2000 ppm.  
Set P-band, default setting is 200 ppm. Range: 50-2000 ppm.

Set I-Time, default setting is `off`. Range: `off`/1–120 sec.

- Activate or deactivate RH sensor. Default setting is `off`.  
Set humidity setpoint in summer, default setting is 60%. Range: 1–100%.  
Set humidity setpoint in winter, default setting is 50%. Range: 1–100%.  
Set P-band, default setting is 10%. Range: 1–100%.  
Set I-time, default setting is `off`, Range: `off`/1–120 sec.
- Select airflow level for Improving Air Quality. Range: Normal / High / Maximum.
- Select airflow level for Good Air Quality. Range: Low / Normal.

#### Moisture Transfer Control



#### Note:

Setting is available if heat exchanger type is set as `Rotating`. It is highly recommended to leave default values for P-band and I-time. They should be changed only by installer and trained staff.

- Activate or deactivate relative humidity transfer functionality. Default setting is `On`.
- If `Moisture Transfer Control` is activated, configure:  
Setpoint, default setting is 45% humidity. Range: 1–100% RH.  
Set P-band, default setting is 4g/kg. Range: 1–100g/kg.  
Set I-time, default setting is `off`. Range: `off`/1–120 sec.

#### Defrosting Control



#### Note:

Setting is available if heat exchanger type is set as `Plate`.

The unit is equipped with an automatic defrost function that is activated when there is risk of icing in the area around the heat exchanger.

- Select defrosting mode. Default setting is `Normal`.

Soft	Dry areas, such as warehouse buildings with few people or industrial buildings that don't use water in their production process.
Normal	Apartments or houses with normal humidity <sup>1</sup>
Hard	Buildings with very high humidity level.

<sup>1</sup> In newly constructed houses it might be necessary with a higher defrost level during the first winter period.

- Set by-pass location. Default setting is based on unit configuration.  
`Supply` / `Extract`.
- Set if secondary air is allowed. Default setting is `off`.  
`off` / `On`.

#### Cooling Control

- If the outdoor air is warmer than the extract air and the supply air is above the setpoint, cooling recovery occurs. This condition blocks the heat regulation process. Activate or deactivate cooling recovery. Default setting is `On`.  
Set cooling limit. Cooling recovery is allowed if extract air temperature is lower than outdoor air temperature by a set limit (default setting is 2K) and cooling demand is present.
- Configure status, temperature and duration of free cooling. Activate or deactivate free cooling. Default setting is `off`.  
Set supply and extract air fan levels during free cooling. Default setting is `Normal`. Range: `Normal` / `High` / `Maximum`.  
Set start condition. Outdoor daytime temperature for activation, default setting is 22°C. Range: 12–30°C.  
Set stop conditions. Extract/Room temperature, default setting is 18°C. Outdoor high temperature limit, default setting is 23°C. Outdoor low temperature limit is 12°C. Start and stop time.

### 7.7.6.4.1 Finding RPM for desired airflow

It is necessary to set fan RPM (revolutions per minute) for each airflow level to control airflow by changing fan speed. Fan speed differ for each household because of different unit size, duct system and system pressure. In order to find correct fan speed, external tool must be used at Systemair website.

1. Go to Systemair website and find your unit.
2. Go to Diagram tab and type in desired airflow values in l/s, m<sup>3</sup>/h, m<sup>3</sup>/s or cfm for supply and extract air. Input pressure drop in duct system (if this value is not know, type in 100 Pa for both supply and extract air)

<b>Air flow</b>	Air flow (Supply)	<input type="text" value="60"/>	<input type="text" value="m³/h"/>
	Air flow (Extract)	<input type="text" value="60"/>	
<b>Pressure drop duct system</b>	External pressure (Supply)	<input type="text" value="100"/>	<input type="text" value="Pa"/>
	External pressure (Extract)	<input type="text" value="100"/>	

Fig. 7 Example of airflow and external pressure selection

3. See calculated speed values in revolutions per minute (rpm) for both supply and extract air in the table bellow diagrams.

<b>Power</b>	14,0	13,5 W
<b>Speed</b>	<input type="text" value="1751"/>	<input type="text" value="1640"/>
<b>SEP (clean filters)</b>	1.67	W/(m³/s)

Fig. 8 Example speed for supply and extract air

4. Use this procedure to find fan speed for all airflow levels: MINIMUM LEVEL, LOW LEVEL, NORMAL LEVEL, HIGH LEVEL, MAXIMUM LEVEL.
5. Finally in the control panel go to Service menu, enter the password, then go to Control Regulation → Fan Control. Choose RPM as airflow type and in sub-menu Airflow Level Settings enter calculated fan speed values for each level.

### 7.7.6.5 User Modes



Set airflow level, duration and offset for each user mode.

Set supply and extract air fan levels, default duration and temperature offset where available for user modes:

- Away
- Central Vacuum Cleaner
- Cooker Hood
- Crowded
- Fireplace
- Holiday
- Refresh

### 7.7.6.6 Communication



Configure Modbus and wireless settings

#### Modbus

- Set Modbus address. Default setting is 1.
- Set baud rate. Default setting is 115200.
- Set parity. Default setting is None. Range: None / Even / Odd.
- Set stop bits. Default setting is 1.
- Shows Smartly-Gateway state.

**HMI Address**

- When more than one control panel is connected to the unit, it is important that each control panel would have a different address number. This menu displays current HMI address.

For more information see 11.5.2 *Multiple control panels*, page 54.

**WLAN Settings**

WLAN settings are for connection of the Internet access module (IAM) accessory.

Internet access module (IAM) is a device that allows to connect to the unit and control it via a mobile application or directly from the computer.

- Shows current connection status.
- Shows network name to which the internet access module is connected.
- *Scan for networks* – use this search function to find your local protected network. Detailed procedure is described below.

**Connecting the IAM to wireless network**

1. If your wireless router does not support WPS, Wi-Fi connection should be set up manually. Therefore you need to find Wi-Fi name and add password using control panel.
  2. In control panel go to *Service -> Communication -> WLAN settings* menu.
  3. Press *Scan for networks* button. IAM will search for available Wi-Fi networks (should not take longer than one minute).
  4. After search is complete, find the network name to which IAM should connect and select it. Wi-Fi network should be password protected, otherwise IAM can't connect to Wi-Fi network.
  5. After required Wi-Fi name selection, password pop-up window appears in control panel screen. Insert your Wi-Fi network password.
  6. If password is correct and connection to Wi-Fi network is successful, IAM will establish connection to server automatically. The LED of IAM will start blinking slowly in green colour.
- Reset WLAN settings when needed.

**7.7.6.7 Logs**

Information about alarms, fans and parameters are stored in *Logs* menu.

**Fans Levels**

- Time counter for each supply air fan level duration is displayed. Counted and total time. Reset counted time.

Level 1: 0%



Level 2: 1–29%

Level 3: 30–44%

Level 4: 45–59%

Level 5: 60–100%

**Parameters**

- Select parameter type, position in y-axis, period from 60 minutes to 2 weeks and then create a graph based on stored data by touching icon in the top right corner . Export parameters data by touching arrow button . (only available in mobile application)

**7.7.6.8 Unit backups**

Menu for restoring factory settings or importing/exporting configuration file from/to the Internet Access module (IAM).

- Touch *Factory settings* menu to restore factory configuration and parameters. This will also overwrite changed password. You will be asked to confirm the task before proceeding.
- Touch *Save current configuration to IAM* option to save your current system configuration file to the connected Internet Access Module.



- Touch **Download current configuration from IAM** to download configuration file from the connected Internet Access Module.

### 7.7.6.9 Password Settings

Service level is always locked with a password. Other menu levels have a separate option for locking. If password requirement is activated for different menu levels, these are unlocked with the administrator password.

Choose what menus should be locked or not.

### 7.7.7 Help



FAQ, troubleshooting of alarms, contact information for support is provided in this menu.

- **Service partner** – information about service partner.
  - Company
  - Telephone
  - Homepage
  - Email
- **User modes**– detailed description of all user modes.
- **Functions**– detailed description of different user functions.
- **Alarms**– detailed description of all alarms.
- **Troubleshooting**– information about all different possible malfunctions.

## 8 Electrical connections

The SAVE VTR 150/K is wired internally from factory.

The electrical connection box can be found on the exhaust air outlet side of the unit. The print card can easily be taken out from the unit, without using tools.

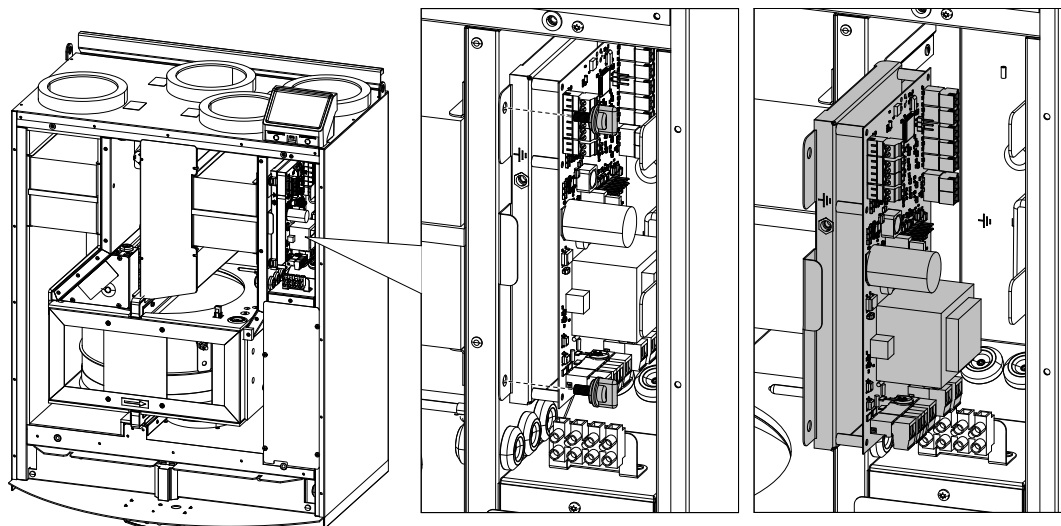


Fig. 9 Main circuit board position

### 8.1 Main board layout

The SAVE VTR 150/K is equipped with built-in regulation and internal wiring.

The figure shows the main circuit board. See wiring diagram for more information.

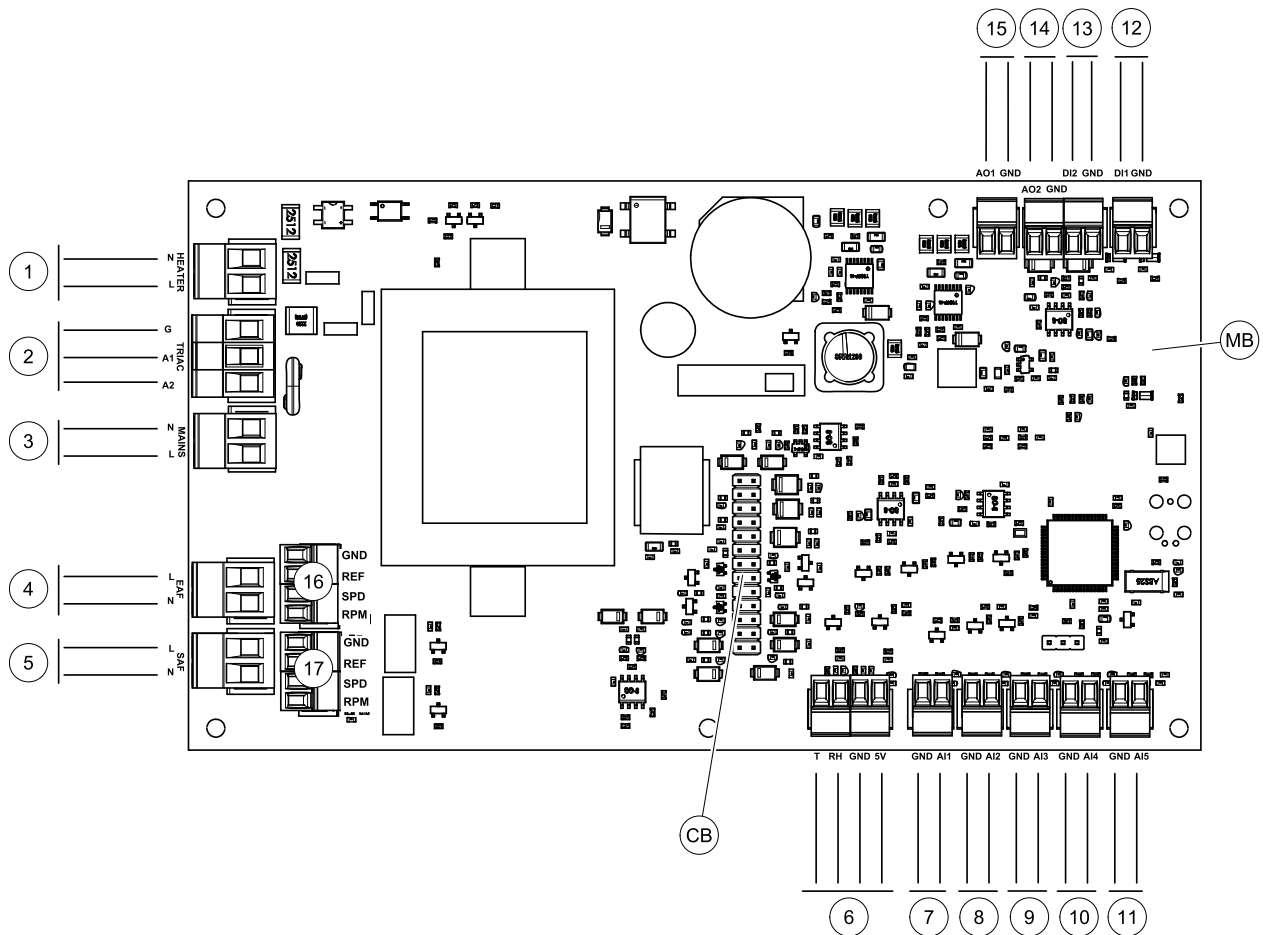


Fig. 10 Main circuit board connections

Position	Description
MB	Main circuit board
CB	Connection to the external connection box
1	Terminals for a heater
2	Terminals for a TRIAC
3	Terminals for the mains power supply
4	Terminals for power supply of extract air fan
5	Terminals for power supply of supply air fan
6	Terminals for internal relative humidity/temperature sensor
7	Analog input 1 – Outdoor air sensor
8	Analog input 2 – Supply air sensor
9	Analog input 3 – Freely configurable
10	Analog input 4 – Freely configurable / Overheat temperature sensor (units with heater)
11	Analog input 5 – Freely configurable
12	Digital input 1 – Rotor guard sensor (VSR, VTR units)/ Damper signal (VTC units)
13	Digital input 2 – Freely configurable / Cooker hood (VTR 150/K unit)
14	Analog output 2 – Freely configurable / Electrical heater controller (VTC 700 unit)
15	Analog output 1 – Rotor of the heat exchanger (VSR, VTR units) / Damper control (VTC units)
16	Terminals for speed control of extract air fan
17	Terminals for speed control of supply air fan

## 8.2 External connections (Connection board)

External connections to the main circuit board are done via connection board situated outside of the unit.

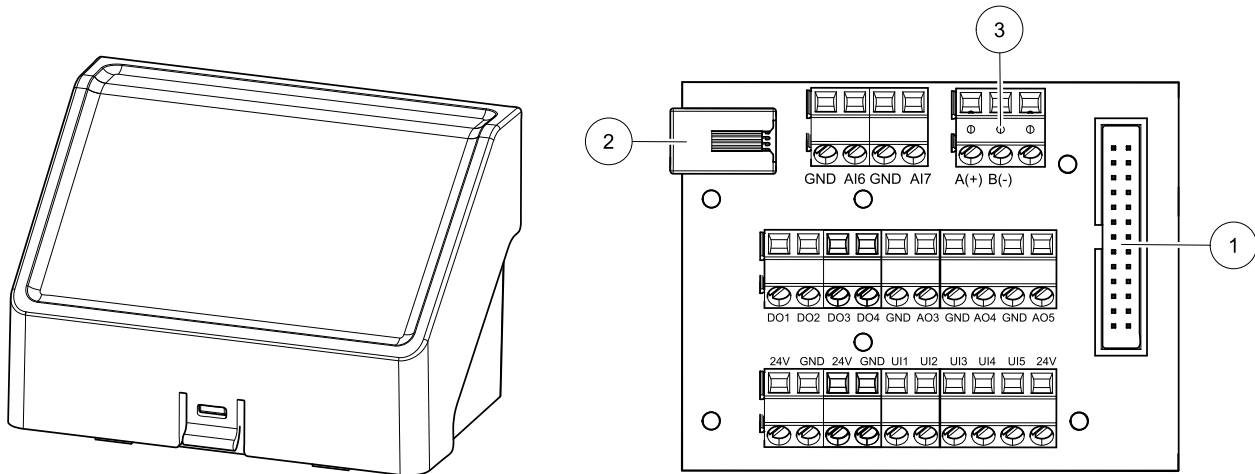


Fig. 11 External connection box and board

Position	Description
1	Connection to the main circuit board
2	Connection for external control panel (HMI) or Internet access module (IAM)
3	Modbus RS485 connection
AI6-7	Freely configurable Analog input. None/Input type selection in HMI.
DO1-4	Freely configurable Digital output. None/Output type selection in HMI.
AO3-5	Freely configurable Analog output. None/Output type selection in HMI. Actuator type 0-10V, 10-0V, 2-10V, 10-2V.
UI1-5	Freely configurable Universal input. Can be configured to act as Analogue input (0-10V) or as Digital input (24V). None/Input type selection in HMI (NC or NO polarity).
24V	Maximum current 200mA at 24VDC +/-10%.

## 9 Before starting the system

When the installation is finished, check that:

- The unit is installed in accordance with the instructions
- The unit is correctly wired
- Outdoor and exhaust air dampers and silencers are installed and that the duct system is correctly connected to the unit
- All ducts are sufficiently insulated and installed according to local rules and regulations
- Outdoor air intake is positioned with sufficient distance to pollution sources (kitchen ventilator exhaust, central vacuum system exhaust or similar)
- All external equipment are connected
- The unit is correctly configured and commissioned
- The week schedule and airflow settings are correctly programmed.

## 10 Service

### 10.1 Warnings



#### Danger

- Make sure that the mains supply to the unit is disconnected before performing any maintenance or electrical work!
- All electrical connections and maintenance work must be carried out by an authorized installer and in accordance with local rules and regulations.



#### Warning

- This product must only be operated by a person who has suitable knowledge or training within this field or carried out with the supervision of a suitably qualified person.
- Beware of sharp edges during mounting and maintenance. Use protective gloves.



#### Warning

- All though the mains supply to the unit has been disconnected there is still risk for injury due to rotating parts that have not come to a complete standstill.

#### Important

- The installation of the unit and complete ventilation system must be performed by an authorized installer and in accordance with local rules and regulations.
- The system should operate continuously, and only be stopped for maintenance/service.
- Do not connect tumble dryers to the ventilation system.
- Duct connections/duct ends must be covered during storage and installation.
- Make sure that filters are mounted before starting the unit.

## 10.2 Internal components

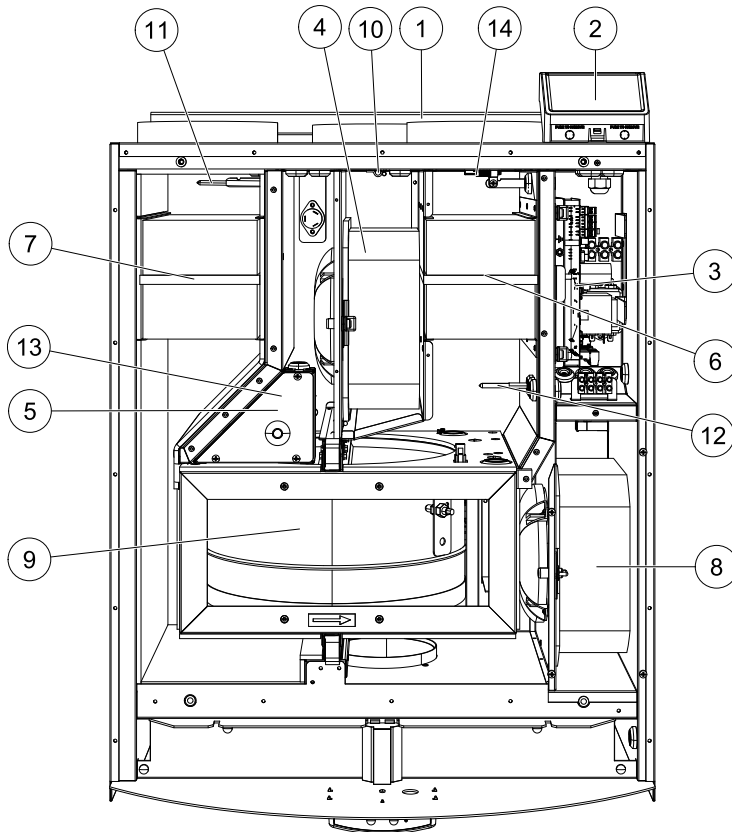


Fig. 12 Internal components

Position	Description
1	Mounting bracket
2	External connections
3	Main print card
4	Supply air fan
5	Internal electrical heater (500/1000 W)
6	Extract air filter
7	Supply air filter
8	Extract air fan
9	Rotating heat exchanger
10	Supply air sensor
11	Outdoor air sensor
12	Extract air sensor
13	Overheat protection sensor
14	Relative humidity/Extract air temperature sensor

## 10.3 Component descriptions

### 10.3.1 Fans

Fans have an external EC type rotor which can be steplessly controlled individually 16–100%. The motor bearings are life time lubricated and maintenance free. It is possible to remove the fans for cleaning, see “User Manual” for more information.

### 10.3.2 Filters

The factory installed filters are of filter quality M5/ePM10 60% for the supply air and M5/ePM10 60% for the extract air filter. The filters need to be replaced when polluted. New sets of filters can be acquired from your installer or wholesaler.

Filter quality F7/ePM1 55% can be installed for supply air filtering.  
The filter type is labelled on the top of the filter

### 10.3.3 Heat exchanger

SAVE VTR 150/K is equipped with a highly efficient, rotating heat exchanger. Required supply air temperature is therefore normally maintained without adding additional heat.

The heat exchanger is removable for cleaning and maintenance, see "User Manual" for more information.

### 10.3.4 Main circuit board

The main circuit board controls all functions and the unit.

It is possible to connect external accessories to a free terminals on the main circuit board.

### 10.3.5 Connection box

Connection box is placed outside of the unit. It contains connection board. All external accessories can be connected to the unit via connection board with freely configurable terminals.

### 10.3.6 Temperature sensors

Four temperature sensors (NTC, 10 k $\Omega$  at 25°C) are included in the unit from factory and positioned in the corresponding air chambers.

The sensors are connected to the main print card. See wiring diagram for more information.

### 10.3.7 Humidity sensor

Relative humidity sensor (RHS/EAT) is included in the unit at factory and positioned in the extract air chamber.

The sensor also measures the temperature of extracted air.

The sensor is connected to the main circuit board. See wiring diagram for more information.

### 10.3.8 Electrical Re-heater battery

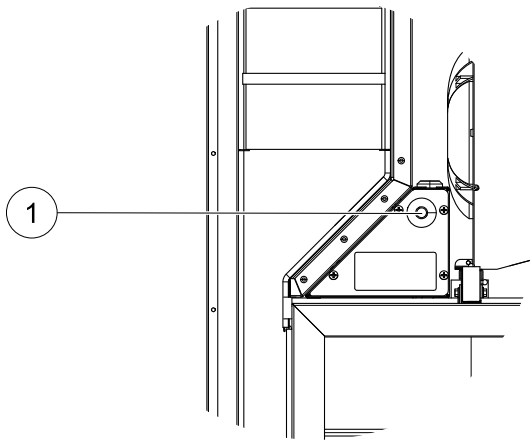
The re-heater battery is positioned in the supply air chamber.

The re-heater is activated by a relay and switches on if the supply air temperature is lower than the set point and switches off if one or more of the following conditions are met:

1. If the supply air temperature is above the set point.
2. If the over heat protection is activated or the sensor is malfunctioning.
3. If the emergency thermostat is triggered or broken.
4. If the supply air sensor is in error state.
5. If the supply air fan is not running.
6. If the heater is set to disabled in the menu.

### 10.3.9 Overheat protection reset button

If the supply air temperature is low, it can indicate that the over heat protection is triggered. The overheat protection can be reset by pressing the reset button.



## 10.4 Replacing rotor drive belt

If the alarm ROTOR is raised, see chapter 7.7.2.3, the rotor drive belt may be damaged or broken.

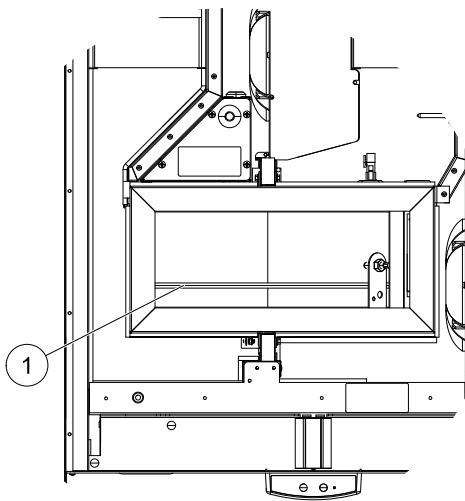


Fig. 13 Rotor drive belt

The replacement drive belt (1) is adjustable and delivered with a nipple attached in one end.

1. Stop the unit by disconnecting the mains.
2. Open and remove the side cover.
3. Remove the broken drive belt.
4. Use tape to attach the drive belt to the rotating heat exchanger, and rotate the exchanger by hand to get hold of the drive belt.
5. Remove the tape and put the "empty" end on to the nipple. Press the ends firmly towards each other and tighten the nipple.
6. Pull the drive belt on to the belt pulley and rotate the exchanger by hand. Check that the belt pulley rotates.



### Note:

If the drive belt slips, the drive belt may be too long and needs to be shortened. Cut the drive belt 5 mm and go to step 5.

7. Replace and lock the side cover and connect the unit to mains.
8. Check that the alarm has ceased on the Control Display.



### Note:

If the alarm remains, check the rotor sensor.

## 10.5 Troubleshooting

If problems should occur, please check the items below before calling your service representative.

Malfunction	Action
Fans do not start	<ol style="list-style-type: none"> <li>1. Check the HMI for alarms.</li> <li>2. Check that all fuses and fast couplings are connected (main power supply and fast couplings for supply and extract air fans).</li> <li>3. Check that the week schedule is ON and running in AUTO mode. The week schedule might be in OFF mode with the air flow set to OFF (chapter 7.7.3).</li> </ol>
Reduced airflow	<ol style="list-style-type: none"> <li>1. Check the HMI for alarms. Some alarms can reduce the airflow to LOW if active.</li> <li>2. The unit could be in defrost mode. This reduces the fan speed and in some cases shuts down the supply air fan completely during the defrosting cycle. The fans go back to normal after finished defrosting. There should be a defrosting function icon visible in the APP or HMI home screen if defrosting is active.</li> <li>3. If the outdoor air temperature is below 0°C (Outdoor air temperature sensor (OAT) measures &lt; 0°C) outdoor airflow compensation function can be active (if enabled). Fan speed (Supply or Supply/Extract air fans) is linearly reduced for decreasing outdoor air temperature.</li> <li>4. Check if temporary user mode that reduces airflow is not activated, for example AWAY, HOLIDAY, etc. Also check digital inputs CENTRAL VACUUM CLEANER and COOKER HOOD.</li> <li>5. Check setting of airflow in the HMI.</li> <li>6. Check week schedule settings (chapter 7.7.3).</li> <li>7. Check filters. Is change of filters required?</li> <li>8. Check diffusers/louvres. Is cleaning of diffusers/louvres required?</li> <li>9. Check fans and heat exchange block. Is cleaning required?</li> <li>10. Check if the buildings air intake and roof unit (exhaust) have been clogged.</li> <li>11. Check visible duct runs for damage and/or build up of dust/pollution.</li> <li>12. Check diffuser/louvre openings.</li> </ol>
The unit cannot be controlled (control functions are stuck)	<ol style="list-style-type: none"> <li>1. Reset control functions by pulling out the plug for 10 seconds.</li> <li>2. Check the modular contact connection between the HMI and the main printed circuit board.</li> </ol>



Malfunction	Action
Low supply air temperature	<ol style="list-style-type: none"> <li>1. Check the display for alarms.</li> <li>2. Check the active user functions in HMI screen if <code>Defrosting</code> function is running.</li> <li>3. Check set supply air temperature in the HMI.</li> <li>4. Check if <code>ECO</code> mode is activated in HMI (it is a power saving function and prevents the heater from activating).</li> <li>5. Check if user modes <code>HOLIDAY</code>, <code>AWAY</code> or <code>CROWDED</code> are activated in the HMI or via a hardwired switch.</li> <li>6. Check the analogue inputs in the service menu to verify that the temperature sensors are functioning correctly.</li> <li>7. In case of installed electrical/other re-heater battery: Check if the overheat protection thermostat is still active. If necessary, reset by pressing the red button on the front plate of the electrical re-heater.</li> <li>8. Check if the extract filter must be changed.</li> <li>9. Check if the unit has a re-heater battery connected. At very cold outdoor conditions an electrical or water heating battery might be necessary. A re-heater battery can be acquired as an accessory.</li> </ol>
Noise/vibrations	<ol style="list-style-type: none"> <li>1. Clean fan impellers.</li> <li>2. Check that the screws holding the fans are tightened.</li> <li>3. Check that the anti vibration lists are fitted to the mounting bracket and to the back of the unit.</li> <li>4. Check that the rotor belt is not slipping if the unit has rotating heat exchanger.</li> </ol>

## 11 Accessories

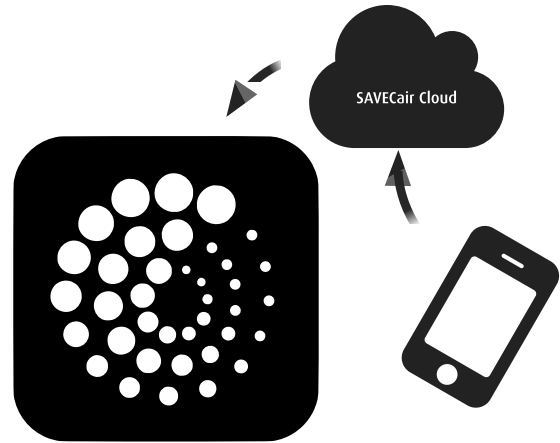
SAVE VTR 150/K have many available accessories that can be used to expand functionality of the unit and increase comfort level.

Recommended accessories can be always found at Systemair website [www.systemair.com](http://www.systemair.com) by searching the article number or the name of the desired accessory.

### 11.1 Internet Access Module (IAM)

Internet access module is a device that allows to connect to the unit and control it via a mobile application or directly from the computer and receive automatic updates.

The Cloud is a mediator between the user and the unit. To access your unit via Cloud, it has to be connected to the internet via Internet Access Module.



#### Component/product – Article number:

- Internet Access Module (IAM) – 211243

### 11.1.1 Setting up remote control of the unit

**A** Connect the Ethernet cable (1) to the back of the unit (2).

**B** Plug the power cord (1) into the power outlet (2).

**C1** Press the WPS button (1) on the router and the WPS button (2) on the unit for 5 seconds.

**C2** Connect the Ethernet cable (1) to the unit and the power cord (2) to the unit.

**C3** Mobile app setup steps:
 

- WLAN Settings: Scan for networks (1).
- Scanning ...: ~30 s.
- Scanning ...: Select Your\_wifi\_name (2).
- Scanning ...: Enter Password (3) and confirm (4).

**D1** Download the Home Solutions by Systemair app from Google Play or the App Store.

**D2** Access the website <https://homesolutions.systemair.com> on a computer.

**E** Mobile app login and password change steps:
 

- Scan QR code (1) to get Unit ID: IAM\_248XXXXF80.
- Log in with IAM id: iam\_248XXXXF80 (2).
- Click LOG IN (3).
- Click CHANGE PASSWORD (4).
- Enter New password (5).
- Enter Confirm password (6).
- Click SET PASSWORD (7).
- Click SET PASSWORD (8) on the unit.
- Click BACK (9) on the unit.
- Click LOG IN (11).

Fig. 14

**Note:**

The internet access module uses TCP port 8989. Make sure it is not blocked.

**Description**

A. Connect the Internet Access Module (IAM) to the Connection Board (CB) with included RJ10 cable.

B. Power up the IAM with included power supply cable and adapter (230 V~).

C. Enable access to the internet. Three options are available:

- C1 – Activate WPS function on your router (if available) and press the button on the Internet Access Module for 5 seconds.
- C2 – Plug one end of the Ethernet cable to the RJ45 socket on IAM and the other end to any free Ethernet socket on your router. The connection will be established automatically.
- C3 – Set up connection to your Wi-Fi through **Communication** menu in control panel.

D. Access Systemair mobile application. Two options are available:

- D1 – Download and install Systemair mobile application on your device. Systemair mobile application is available for both Android and iOS mobile operating systems.
- D2 – Systemair web application does not require installation and can be accessed directly through the website ([homesolutions.systemair.com](http://homesolutions.systemair.com)) by using any web browser.

E. Launch the application. In the login screen enter your unique UNIT ID which can be found on the back label of IAM or on additional label.

Press **LOG IN** button.

It is required to create a unique password when connecting to IAM for the first time. Touch **Change password** button. In the next menu screen enter your new password, confirm it and touch **SET PASSWORD** button. To finalize password creation, click the button on the IAM. Wait for a message to pop up in your app telling that password was changed.

Touch **BACK** button to return to the previous login screen. Enter the newly created password and touch **LOG IN** button.

For more information read the manual that comes with the accessory.

**Table 6 LED indicator codes**

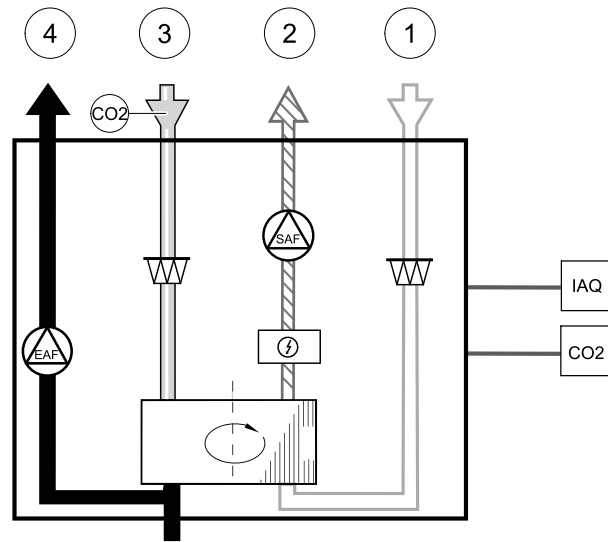
WLAN	Ethernet	Cloud	RED LED	GREEN LED
Connected	–	Not Connected	Blinks fast	–
Disconnected	–	Disconnected	Blinks slow	–
Connected	–	Connected	–	Blinks slow
–	Connected	Not Connected	–	Blinks fast
–	Disconnected	Disconnected	–	Blinks fast
–	Connected	Connected	–	Blinks slow

Fast blinking – every 500 milliseconds. Slow blinking – every 2 seconds.

**11.2 Indoor air quality sensors**

Indoor air quality sensors (IAQ) are CO<sub>2</sub>, relative humidity and temperature transmitters that must be installed either in extract air duct or the room depending on the type of transmitter.

- IAQ – indoor air quality sensor (CO<sub>2</sub>, RH and temperature)
- CO<sub>2</sub> – CO<sub>2</sub> duct sensor
- 1 – Outdoor air
- 2 – Supply air
- 3 – Extract air
- 4 – Exhaust air



#### Component/product – Article number:

- Systemair-1 CO<sub>2</sub> duct sensor – 14906
- Systemair-E CO<sub>2</sub> sensor – 14904
- Room sensor 0-50C (temperature) – 211525
- Systemair-E CO<sub>2</sub> RH Temperature – 211522

#### Installation and connection

1. Install IAQ sensor in the duct or the room depending on the transmitter type.
2. Connect CO<sub>2</sub> sensor to any free universal analog input (UI) on the connection board.
3. If IAQ sensor contains relative humidity transmitter:  
Connect it to any free universal analog input (UI) on the connection board.
4. If IAQ sensor contains room temperature transmitter:  
Connect it to any free analog input (AI) on the connection board (only AI6 and AI7 are available on the connection board).

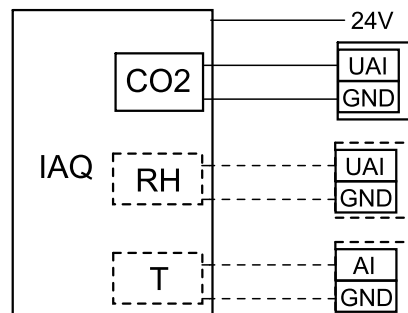


Fig. 15 IAQ connections

#### Configuration

1. Go to *Service* menu.
2. Enter password (default 1111).
3. Configure of CO<sub>2</sub> and/or relative humidity sensor: Go to *Input* menu. Select *UNIVERSAL* tab. Select the universal input to which the sensor is connected. Example if it is connected to UI4 on the connection board, then select *UNIVERSAL INPUT 4*. Select signal type as *Analog input* and select sensor type from the input type list: *RH sensor (RH)* and/or *CO<sub>2</sub> Sensor (CO<sub>2</sub>)*.
4. Configure room temperature sensor: Go to *Input* menu. Select *ANALOG* tab. Select the analog input to which the sensor is connected. Example if it is connected to AI6 on the connection board, then select *ANALOG INPUT 6*. Select input type as *Room Air Temperature Sensor (RAT)*.

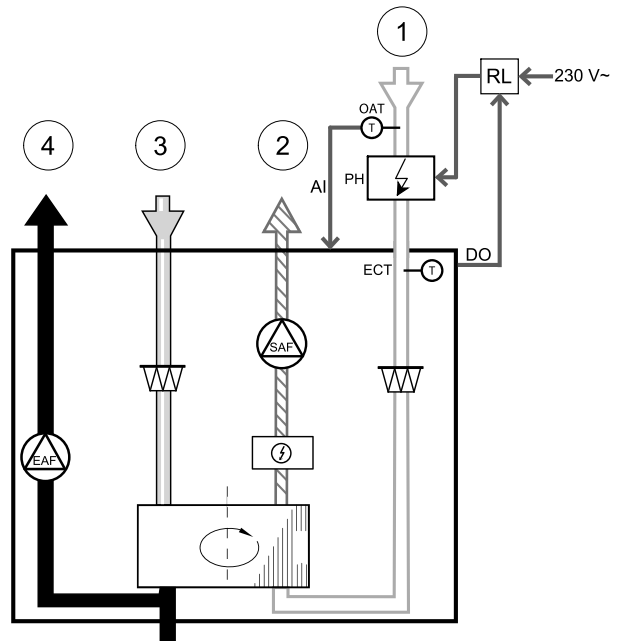
## 11.3 Temperature control

### 11.3.1 Electrical duct pre-heater



Electrical pre-heater can be installed in the outdoor air duct to pre-heat outdoor air before it reaches the unit and prevent icing in the heat exchanger.

- PH – electrical pre-heater
- ECT – extra controller temperature sensor
- OAT – outdoor air duct temperature sensor
- RL – relay
- 1 – Outdoor air
- 2 – Supply air
- 3 – Extract air
- 4 – Exhaust air



#### Component/product – Article number:

- CB 125-0,6 230V/1 Duct heater – 5289
- CB Preheater Connection Kit – 142852

#### Installation and connection

1. Install electrical pre-heater (ELH) at least 100 mm distance from the unit in the outdoor air duct. Relay (RL) is used to control the pre-heater. Connect the relay to any free digital output on the connection board (CB).
2. Connect pre-heater (ELH) and the power supply to the relay (RL). A circuit breaker (BRK) is not included in the package and must be ordered separately. It must be installed in the circuit.
3. Install a duct temperature sensor (OAT) before the electrical pre-heater on the outdoor side of the unit and connect it to any free Analog Input on the connection board (CB).

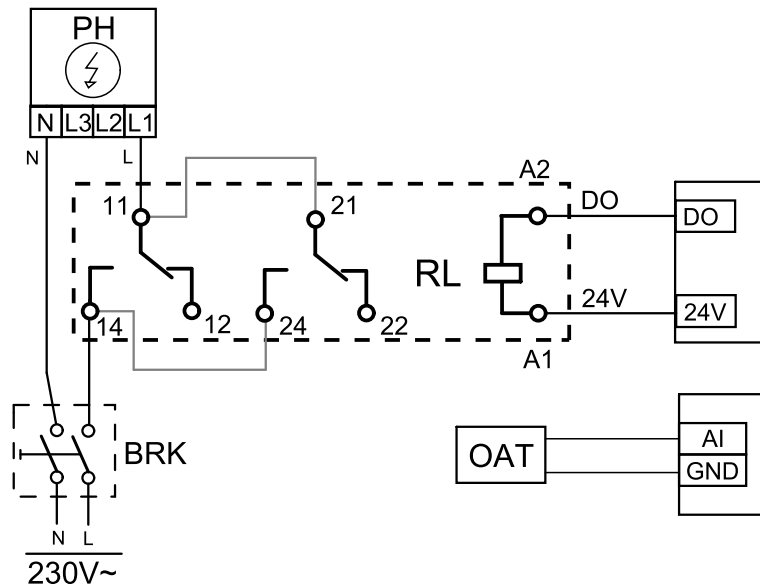


Fig. 16 Pre-heater connections

### Configuration

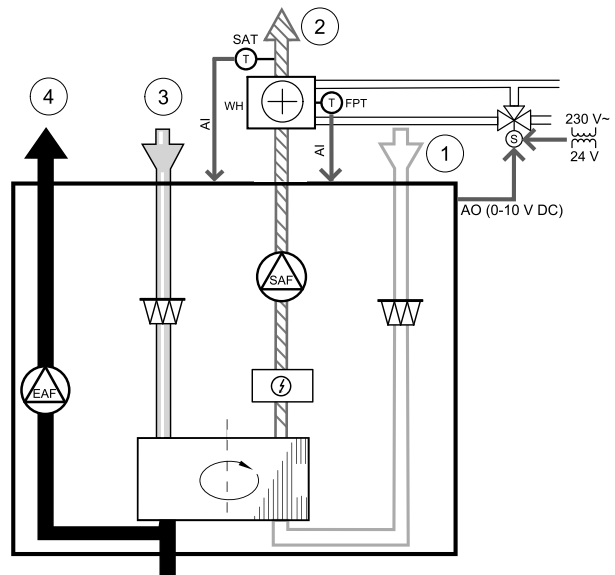
1. Go to *Service* menu
2. Enter password (default 1111)
3. Go to *Components* menu, select *Extra Controller* menu and set *Extra Controller Mode* setting as *Pre-heater*. Pre-heater setpoint can be set in the same menu. Do other advanced settings if necessary. Read "Installation and Service" manual for more information.
4. Configure connection of the pre-heater. Go to *Service* menu. Select *Output* menu. In next menu select *DIGITAL* tab. Select the digital output to which the pre-heater is connected. Example if it is connected to DO3 on the connection board, then select *DIGITAL OUTPUT 3* and select *Step Controller Y4 Extra Controller* from the output type list.
5. Configure internal outdoor temperature sensor as extra controller temperature sensor. Go to *Service* menu. Select *Input* menu. Select *ANALOG* tab. Select the *ANALOG INPUT 1* and change its configuration from *Outdoor Air Temperature Sensor (OAT)* sensor to *Extra Controller Temperature Sensor (ECT)*.
6. After sensor configuration is changed select the Analog Input to which the newly installed duct temperature sensor (OAT) is connected and configure it as *Outdoor Air Temperature Sensor (OAT)*.

### 11.3.2 Duct water heater



A duct water heating battery is supposed to be installed in supply air duct.

- WH – water heating battery
- FPT – frost protection sensor
- SAT – supply air temperature sensor
- S – actuator for valve
- 1 – Outdoor air
- 2 – Supply air
- 3 – Extract air
- 4 – Exhaust air



#### Component/product – Article number:

- VBC 125-2 Water heating battery (2 rows) – 5457
- VBC 125-3 Water heating battery (3 rows) – 9839
- VAZ4 24A Actuator 0-10V (S) – 9862
- ZTV 15-0,4 2-way valve – 9829
- ZTV 15-0,6 2-way valve – 6571
- ZTR 15-0,4 valve 3-way – 9670
- ZTR 15-0,6 valve 3-way – 6573
- Duct sensor -30-70C (SAT) – 211524
- Surface sensor -30-150C (FPT) – 211523

#### Installation and connection

1. Install water heater in the duct. Connect pipes, 2/3-way valve and actuator.

#### Important

Do NOT use 24V DC power output from the connection board for valve actuator.

2. Connect actuator (S) to any free analog output.
3. The frost protection sensor (FPT) should be strapped on a surface on the return water pipe. Connect FPT sensor to any free analog input.
4. An internal supply air temperature sensor (SAT, default connection AI2 on the main circuit board) must be replaced by a duct temperature sensor which can be acquired as an accessory. A duct temperature sensor must be installed in the duct after water heater. Connect the duct temperature sensor to analog input 2 (AI2) replacing the internal supply air temperature sensor.



#### Note:

A duct temperature sensor can be connected to analog inputs 6-7 on the connection board for better access and then configured as a supply air temperature sensor. However the internal supply air temperature sensor must be disabled in the control panel first.



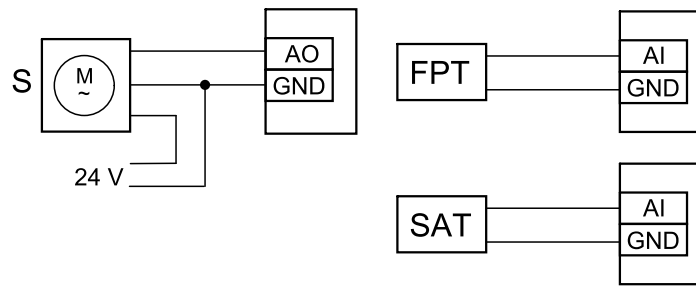


Fig. 17 Water heater connections

### Configuration

1. Go to *Service* menu
2. Enter password (default 1111)
3. Activate the actuator. Go to *Components* menu, select *Heater* menu and select type as *water*. Choose actuator voltage type. Do advanced settings if necessary.
4. Configure control signal to the actuator. Go to *Service* menu. Select *Output* menu. In next menu select *ANALOG* tab. Select the analog output to which the control wire of the actuator is connected. Example if it is connected to A03 on the connection board, then select *ANALOG OUTPUT 3* and select *Y1 Heating* from the output type list.
5. Configure frost protection sensor (FPT). Go back to *Input* menu. Select *ANALOG* tab. Select the analog input to which the frost protection sensor is connected. Example if it is connected to AI6 on the connection board, then select *ANALOG INPUT 6* and select *Frost Protection Temperature Sensor (FPT)* from the input type list.
6. Since a duct temperature sensor replaces internal supply air temperature sensor, it doesn't need to be re-configured.



#### Note:

A duct temperature sensor can be connected to analog inputs 6–7 on the connection board for better access and then configured as a supply air temperature sensor. However the internal supply air temperature sensor must be disabled in the control panel first.

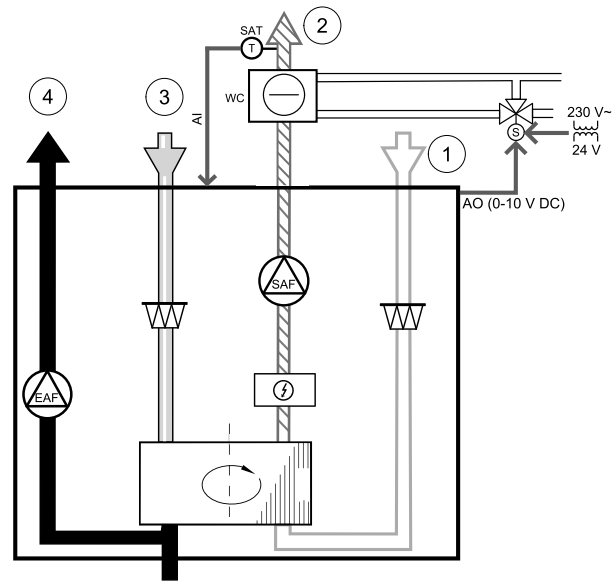
7. Water heater and its components are now configured.

### 11.3.3 Duct water cooler



A duct water cooler is supposed to be installed in supply air duct to provide a cooled down air to the apartment.

- WC – water cooling battery
- SAT – supply air temperature sensor
- S – valve actuator
- 1 – Outdoor air
- 2 – Supply air
- 3 – Extract air
- 4 – Exhaust air



#### Component/product – Article number:

- CWK 125-3-2,5 Duct cooler,circ – 30021
- RVAZ4 24A Actuator 0-10V (S) – 9862
- ZTV 15-0,4 2-way valve – 9829
- ZTV 15-0,6 2-way valve – 6571
- ZTR 15-0,4 valve 3-way – 9670
- ZTR 15-0,6 valve 3-way – 6573
- Duct sensor -30-70C (SAT) – 211524

#### Installation and connection

1. Install a duct water cooler in the duct. Connect pipes, 2/3-way valve and actuator.

#### Important

Do NOT use 24V DC power output from the connection board for valve actuator.

2. Connect actuator (S) to any free analog output.
3. An internal supply air temperature sensor (SAT, default connection AI2 on the main circuit board) must be replaced by a duct temperature sensor which can be acquired as an accessory. A duct temperature sensor must be installed in the duct after water cooler. Connect the duct temperature sensor to analog input 2 (AI2) replacing the internal supply air temperature sensor.



#### Note:

A duct temperature sensor can be connected to analog inputs 6-7 on the connection board for better access and then configured as a supply air temperature sensor. However the internal supply air temperature sensor must be disabled in the control panel first.

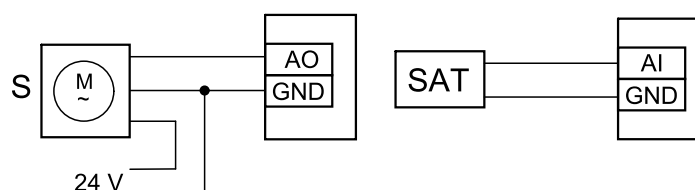


Fig. 18 Duct cooler connections

#### Configuration

1. Go to Service menu

2. Enter password (default 1111)
3. Activate the actuator. Go to **Components** menu, select **COOLER** menu and select type as **water**. Choose actuator voltage type. Do advanced settings if necessary.
4. Configure control signal to the actuator. Go to **Service** menu. Select **Output** menu. In next menu select **ANALOG** tab. Select the analog output to which the control wire of the actuator is connected. Example if it is connected to A03 on the connection board, then select **ANALOG OUTPUT 3** and select **Y3 COOLING** from the output type list.
5. Since a duct temperature sensor replaces internal supply air temperature sensor, it doesn't need to be re-configured.



### Note:

A duct temperature sensor can be connected to analog inputs 6–7 on the connection board for better access and then configured as a supply air temperature sensor. However the internal supply air temperature sensor must be disabled in the control panel first.

6. Duct cooler and its components are now configured.

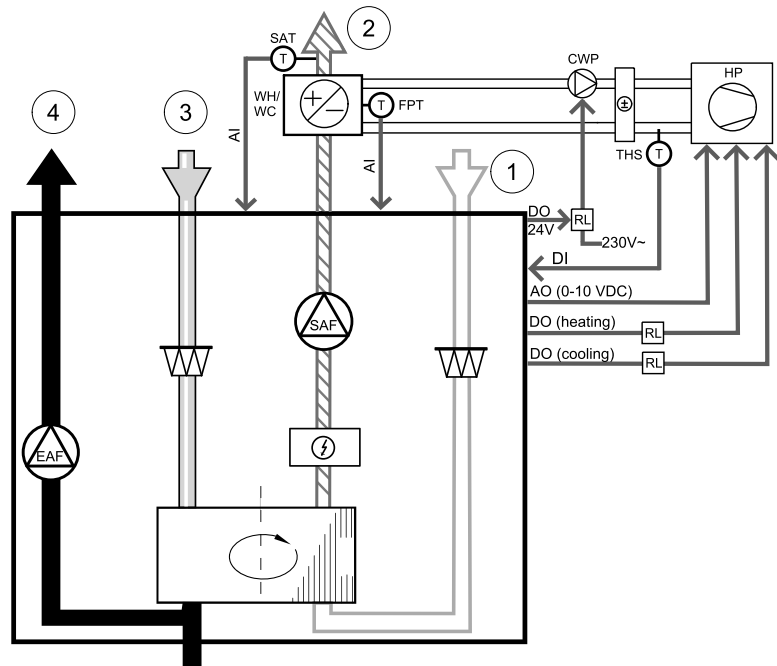
## 11.3.4 Change-over coil for heating/cooling function

Change-over coil can be used for both heating and cooling based on the demand.

### Important

The change-over (heating/cooling) system can be implemented in many different ways and may vary in each household. This description explains the most common solution for connecting and controlling heating and cooling with a water coil and a heat pump. Please always check with your local "Systemair" consultant if your different solution for change-over function is supported by SAVE units.

- WH/WC – change-over coil
- FPT – frost protection sensor (optional)
- SAT – supply air temperature sensor
- THS – thermostat for sensing if the temperature of heating/cooling fluid in the system is right (optional)
- HP – heat pump (or other device for heating and cooling)
- CWP – water pump
- RL – relay
- 1 – Outdoor air
- 2 – Supply air
- 3 – Extract air
- 4 – Exhaust air



### Component/product – Article number:

- Duct sensor -30-70C (SAT) – 211524
- Surface sensor -30-150C (FPT) – 211523
- Relay 24V with socket – 211248

### Installation and connection

1. Install change-over coil in the duct. Install a water pump if necessary. The turning on and off of water pump should be controlled with a relay (RL). Connect the relay to any free digital output and 24 V on the connection board. Then connect the power supply and a water pump (CWP) to the relay.
2. Connect a control signal wire (if available) of the heat pump (HP) to any free digital output and 24 V on the connection board.

3. Connect cooling and heating start signal wires to any free digital outputs on the connection box. Relays (RL) must be used.
4. The frost protection sensor (FPT) should be strapped on a surface on the return water pipe. Connect the frost protection sensor (FPT) sensor to any free analog input.
5. An internal supply air temperature sensor (SAT, default connection AI2 on the main circuit board) must be replaced by a duct temperature sensor which can be acquired as an accessory. A duct temperature sensor must be installed in the duct after heater/cooler. Connect the duct temperature sensor to analog input 2 (AI2) replacing the internal supply air temperature sensor.



### Note:

A duct temperature sensor can be connected to analog inputs 6–7 on the connection board for better access and then configured as a supply air temperature sensor. However the internal supply air temperature sensor must be disabled in the control panel first.

6. A thermostat can be used to send signals (change-over feedback) regarding which actual medium (hot or cold) is currently in a pipe. This signal can be also sent directly from the heat pump if such function is available. If heating is demanded but only cold water/refrigerant is available - heating is deactivated).

Connect a change-over feedback wire (THS) to any free digital input and 24 V on the connection board.

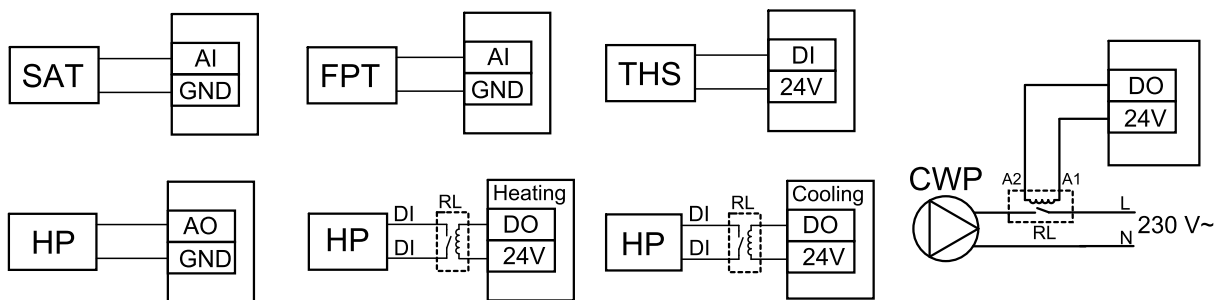


Fig. 19 Change-over heating/cooling connections

### Configuration

Before change-over heating/cooling can be activated, all components must be configured in the control panel.

1. Go to **Service** menu
2. Enter password (default 1111)
3. Go to **Components** menu, select **Heater** menu and select type as **Change-over**. Do advanced settings if necessary.  
Go to **Components** menu, select **Cooler** menu and select type as **Change-over**. Do advanced settings if necessary.
4. Configure control signal of the heat pump or similar device. Go to **Service** menu. Select **Output** menu. In next menu select **ANALOG** tab. Select the analog output to which the control signal wire is connected. Example if it is connected to A03 on the connection board, then select **ANALOG OUTPUT 3** and select **Y1 / Y3 Change-over** from the output type list.
5. Configure heating start signal. Go to **Output**. Select **DIGITAL** tab. Select the digital output to which the heating start signal wire from the heat pump is connected. Example if it is connected to D01 on the connection board, then select **DIGITAL OUTPUT 1** and select **Step Controller Y1 Heating** from the output type list.
6. Configure cooling start signal. Go to **Output**. Select **DIGITAL** tab. Select the digital output to which the cooling start signal wire from the heat pump is connected. Example if it is connected to D02 on the connection board, then select **DIGITAL OUTPUT 2** and select **Step Controller Y3 Cooling** from the output type list.
7. Configure frost protection sensor (FPT). Go back to **Input** menu. Select **ANALOG** tab. Select the analog input to which the frost protection sensor is connected. Example if it is connected to AI6 on the connection board, then select **ANALOG INPUT 6** and select **Frost Protection Temperature Sensor (FPT)** from the input type list.
8. Configure temperature feedback signal from the pipe or heat pump. Go to **Input** menu. Select **UNIVERSAL** tab. Select the universal input to which the feedback wire is connected. Example if it is connected to UI1 on the connection board, then select **UNIVERSAL INPUT 1**. Set signal type as **Digital input** and select an option **Change-over feedback** from the input type list.
9. Since a duct temperature sensor replaces internal supply air temperature sensor, it doesn't need to be re-configured.

**Note:**

A duct temperature sensor can be connected to analog inputs 6–7 on the connection board for better access and then configured as a supply air temperature sensor. However the internal supply air temperature sensor must be disabled in the control panel first.

10. Configure relay for water pump control. Go to **Output**. Select **DIGITAL** tab. Select the digital output to which the relay is connected. Example if it is connected to DO3 on the connection board, then select **DIGITAL OUTPUT 3** and select **Start/Stop Circulation Pump, Y1/Y3 Change-over** from the output type list.

## 11.4 Airflow control

### 11.4.1 VAV/CAV conversion kit

The VAV/CAV conversion kit is used for VAV/CAV control of residential units.

**Note:**

The accessory package contains all needed parts for VAV conversion, however for use with CAV, an IRIS damper or a similar device with known K factor has to be purchased.

**Component/product – Article number:**

- VAV/CAV conversion kit – 140777
- SPI-125 C Iris damper – 6751

**Installation and connection**

- Follow instructions in the manual which is delivered with the accessory.

## 11.5 Installation/Maintenance

### 11.5.1 Outdoor/Exhaust air dampers

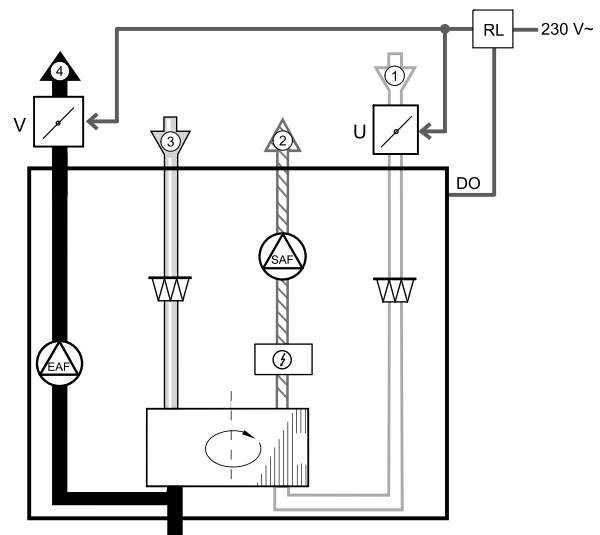


If manual fan stop is activated, the unit should be provided with dampers in exhaust and outdoor ducts to avoid cold draught and risk of condensation when the unit has been stopped.

- RL – relay box
- U- outdoor air damper
- V – exhaust air damper
- 1 – Outdoor air
- 2 – Supply air
- 3 – Extract air
- 4 – Exhaust air

**Component/product – Article number:**

- TUNE-R-125-3-M4 (U/V) – 311968
- Relay kit:  
RMK – 153549
- Relay kit with a transformer for 24 VAC dampers:  
RMK-T – 153548



For all possible connection variations please see wiring diagram delivered with the relay mounting kit.

**Note:**

24 VAC dampers can be powered and controlled only by using a relay mounting kit with a transformer (article number: 153548).

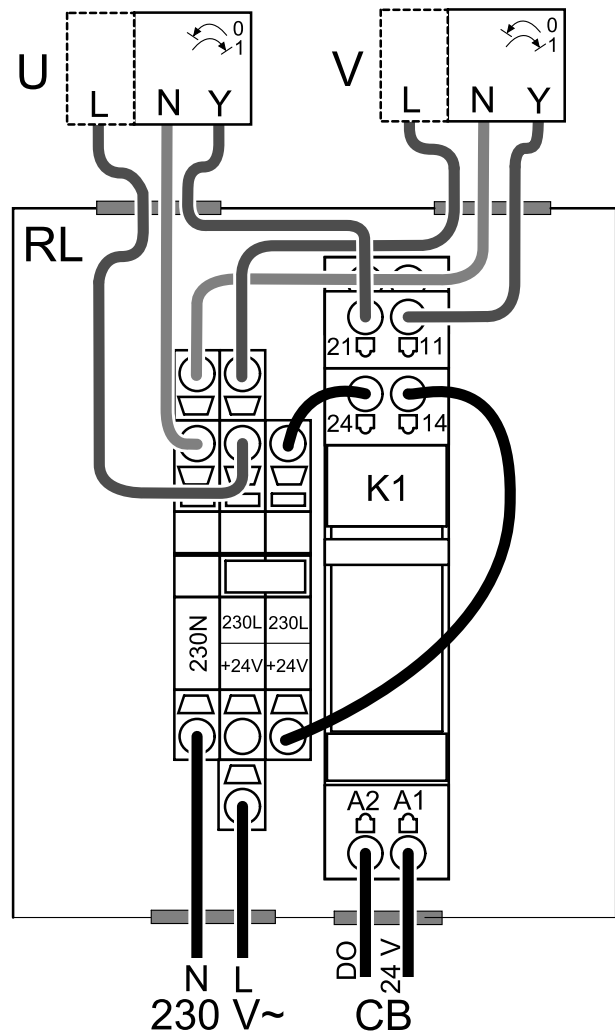
This installation procedure describes how to connect dampers powered by 230 V~ with a relay mounting kit without transformer (article number: 153549).

**Installation and connection**

1. Install dampers (U/V).
2. Connect control signal wires (24V, DO) coming out from the relay box (RL) to any free digital output on the connection board (CB).
3. Connect power supply wires (N) from dampers to the terminal block. Connect control signal wires (Y, line) from dampers to relay socket terminals (11, 21). See illustration.

When damper with a non-spring return actuator is used, an addition power line (L) has to be connected to the terminal block since such damper requires constant power supply.

4. Connect power supply wires (L, N) coming out from the relay box to 230 V~ power source.



**Fig. 1** Damper connection

**Configuration**

1. Go to **Service** menu
2. Enter password (default 1111)
3. Configure control signal to the relay. Go to **Output** menu. Select **DIGITAL** tab. Select the digital output to which the relay is connected. Example if it is connected to DO3 on the connection board, then select **DIGITAL OUTPUT 3** and select signal type as **Outdoor-/Exhaust Air Damper** from the output type list.

**11.5.2 Multiple control panels**

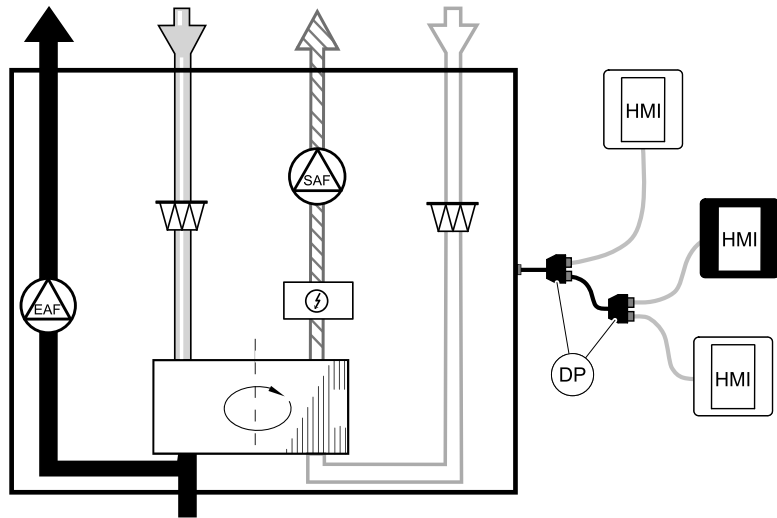
Multiple control panels (up to 10) can be connected to one unit with the help of diverting plugs. A single diverting plug allows to connect two control panels. A diverting plug can be connected to another diverting plug to further increase the number of control panels that can be connected simultaneously.

**Note:**

- If the 24 V power supply on the connection board (CB) is used for other equipment, the number of control panels that can be powered from the unit will decrease.
- A single active control panel draws 50 mA. The connection board supplies up to 250 mA. If no other accessories use 24 V power supply from the unit, up to 5 control panels can be connected without a need of external power supply. In order to connect more than 5 control panels, an external power supply is required.

Control panel is available in black or white colour.

- DP – diverting plug
- HMI – control panel



#### Component/product – Article number:

- CE/CD-diverting plug 4pin – 37367
- CEC Cable w/plug 12m – 24782
- CEC Cable w/plug 6m – 24783
- HMI White – 138077
- HMI Black – 138078

#### Installation and connection

1. Connect diverting plug to the connection box socket dedicated for external control panel (HMI) or Internet access module (IAM).
2. Plug in control panels to diverting plug(s) using recommended cables or any cable with RJ22 type plugs.



#### Note:

The maximum supported cable length is 50 meters.

#### Configuration

1. Go to *Service* menu
2. Enter password (default 1111)
3. Go to *Communication* ⇒ *HMI Address* and change the address number. Repeat these steps for each connected control panel.

Each control panel must have its own unique address number. No control panel should have the same address value to function properly.

## 11.6 Filters

The filters need to be replaced when polluted. New sets of filters, if possible, should be acquired directly from Systemair to meet filter quality standards. If that is not possible, please contact your installer or wholesaler.

The filter type is labelled on the top of the filter

#### Component/product – Article number:

- PFVTR 150 M5/ePM10 60% Supply Air – 211121
- PFVTR 150 M5/ePM10 60% Extract Air – 211120
- PFVTR 150 F7/ePM1 55% Supply Air – 211122

© Upphovsrätt Systemair AB

Alla rättigheter förbehållna

Med förbehåll för eventuella fel och förbiseenden

Systemair AB förbehåller sig rätten att ändra produkterna utan föregående meddelande.

Detta gäller även redan beställda produkter, så länge det inte påverkar tidigare överenskomna specifikationer.

Systemair kan inte hållas ansvarigt för eventuella skador eller följskador och garantin upphör att gälla om dessa anvisningar inte följs vid installation eller vid service.



1	Intyg om överensstämmelse.....	59	7.6	Beskrivning av användarfunktionernas ikoner.....	72
2	Avfallshantering och återvinning .....	60	7.7	Huvudmeny.....	73
3	Varning.....	60	7.7.1	Information.....	74
4	Detta dokument.....	60	7.7.2	Larm.....	74
5	Produktinformation.....	60	7.7.3	Veckoschema.....	78
5.1	Allmänt.....	60	7.7.4	Filter.....	79
5.2	Installationsrekommendationer gällande kondensation .....	61	7.7.5	Systeminställning- ar.....	79
5.2.1	Kondens inuti enheten.....	61	7.7.6	Service.....	79
5.2.2	Kondensering på aggregatets utsida.....	61	7.7.7	Hjälp.....	87
5.3	Transport och förvaring .....	62	8	Elanslutning .....	87
5.4	Tekniska data .....	62	8.1	Huvudkortets planritning.....	87
5.4.1	Mått och vikt.....	62	8.2	Externa anslutningar (anslutningskort).....	89
5.4.2	Anslutningar, vänster- och högerutförande .....	63	9	Innan systemet startas .....	89
5.4.3	Systemkurvor.....	63	10	Service .....	90
5.4.4	Effektförbrukning och säkringsstorlek .....	64	10.1	Varning.....	90
6	Installation.....	65	10.2	Internal components.....	90
6.1	Uppackning.....	65	10.3	Komponentbeskrivningar .....	91
6.2	Installation var och hur?.....	65	10.3.1	Fläktar .....	91
6.3	Installationsinstruktioner för SAVE VTR 150/K .....	65	10.3.2	Filter .....	91
6.4	Demontering/montering av utvändig front.....	66	10.3.3	Värmeväxlare.....	91
6.5	Demontering/montering av invändig front.....	66	10.3.4	Huvudkretskort.....	91
7	Konfiguration .....	67	10.3.5	Kopplingsdosa.....	91
7.1	Allmänt.....	67	10.3.6	Temperaturgivare.....	91
7.2	Startguide.....	67	10.3.7	Fuktighetsgivare .....	91
7.3	Vanliga symboler .....	67	10.3.8	Elektriskt eftervärningsbatteri .....	92
7.4	Menyöversikt.....	68	10.3.9	Återställningsknapp för överhettningsskydd.....	92
7.5	Hemskärmen.....	69	10.4	Byte av rotordrivrem.....	92
7.5.1	Användarlägen .....	69	10.5	Felsökning .....	93
7.5.2	Inställning av temperatur .....	71	11	Tillbehör.....	95
7.5.3	Luftflödesinställningar .....	71	11.1	Internetåtkomsmodul (IAM).....	95
7.5.4	Inomhusluftens kvalitet .....	72	11.1.1	Installation av fjärrkontroll för luftbehandlingsaggrega- tet.....	96
7.5.5	Statusraden.....	72	11.2	Inomhusluftens kvalitetsgivare.....	97
			11.3	Temperaturreglering.....	99

11.3.1	Kanalmonterad förvärmare, EL.....	99
11.3.2	Kanalmonterad eftervärmare, vatten.....	100
11.3.3	Kanalmonterad efterkylare, vatten.....	102
11.3.4	Kombi-batteri för uppvärmnings-/ kylningsfunktion .....	104
11.4	Luftflödesreglering .....	106
11.4.1	VAV-/CAV konverteringskit.....	106
11.5	Installation/underhåll .....	106
11.5.1	Utelufts-/avluftsspjäll.....	106
11.5.2	Flera manöverpaneler .....	107
11.6	Filter .....	108

# 1 Intyg om överensstämmelse

## Tillverkare



Systemair UAB  
 Linų st. 101  
 LT-20174 Ukmergė, LITHUANIA  
 Tel. kontor: +370 340 60165 Fax: +370 340 60166  
 www.systemair.se

### försäkrar härmed att följande produkt:

Ventilationsaggregat med värmeåtervinningsfunktion: SAVE VTR 150/K

Intyget gäller endast för produkten i det skick i vilket den levererats och installerats vid anläggningen i enlighet med medföljande installationsanvisningar. Intyget omfattar inte komponenter som senare lagts till eller åtgärder som senare vidtagits på produkten.

### Uppfyller alla tillämpliga krav i nedanstående direktiv.

- Maskindirektivet 2006/42/EG
- Lågspänningsdirektivet 2014/35/EU
- EMC-direktivet 2014/30/EU
- Ekodesigndirektivet 2009/125/EG
- RoHS direktivet 2011/65/EU

### Följande förordningar tillämpas för tillämpliga komponenter:

1253/2014	Krav för ventilationsaggregat
1254/2014	Energimärkning av ventilationsaggregat för bostäder
327/2011	Krav för fläktar större än 125 W

### Tillämpliga delar av nedanstående harmoniserade standarder tillämpas:

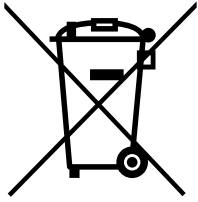
EN ISO 12100:2010	Maskinsäkerhet – Generella konstruktionsprinciper – riskbedömning och riskminskning
EN 13857	Maskinsäkerhet – Skyddsavstånd för att hindra att armar och ben når in i riskområden
EN 60 335-1	Elektriska apparater för hushåll och liknande – Säkerhet del 1: Allmänna fordringar
EN 60 335-2-40	Elektriska hushållsapparater och liknande bruksföremål – Säkerhet – Del 2-40: Särskilda fordringar på elektriska värmepumpar, luftkonditioneringsapparater och avfuktare
EN 62233	Hushållsapparater och liknande bruksföremål – Mätning av elektromagnetiska fält med avseende på exponering
EN 50 106:2007	Elektriska hushållsapparater och liknande bruksföremål – Säkerhet – Anvisningar för tillverkningskontroll av apparater som omfattas av EN 60 335-1 och EN 60 967
EN 61000-6-2	Elektromagnetisk kompatibilitet (EMC) – Del 6-2: Allmänna normer – immunitet i industriella miljöer
EN 61000-6-3	Elektromagnetisk kompatibilitet (EMC) – Del 6-3: Allmänna normer – emissionsnivåer för hushåll, handel och lätt industri

Skinnskatteberg, 11-10-2017

Mats Sándor

Teknisk direktör

## 2 Avfallshantering och återvinning



Denna produkt är i överensstämmelse med direktivet om elektriskt och elektroniskt avfall. Vid kassering av aggregatet ska lokala regler och föreskrifter följas. Produktens förpackningsmaterial är återvinningsbart och kan återanvändas. Släng inte med hushållsavfall.



## 3 Varning



### Fara

- Säkerställ att spänningsmatningen är bruten före underhållsarbete och elarbete.
- Arbete med elektriska anslutningar och underhåll får endast utföras av behörig personal och i enlighet med gällande krav och föreskrifter.



### Varning

- Denna produkt får endast användas av en person som har lämplig kunskap eller utbildning inom detta område eller står under överinseende av en person med lämpliga kvalifikationer.
- Se upp för vassa kanter vid installation och underhåll. Använd skyddshandskar.



### Varning

- Det dröjer något innan alla rörliga delar stannat helt efter att aggregatet kopplats bort från elnätet – risk för personskada.

### Viktigt

- Aggregatet och hela ventilationssystemet ska installeras av behörig personal och i enlighet med gällande krav och föreskrifter.
- Systemet bör ständigt vara i gång och får bara stoppas vid underhåll/service.
- Anslut inte torktumlare till ventilationssystemet.
- Kanalanslutningar/kanaländrar ska vara täckta vid förvaring och installation.
- Kontrollera att alla filter är monterade innan du startar aggregatet.

## 4 Detta dokument

Denna installationshandbok gäller för luftbehandlingsaggregat av typen SAVE VTR 150/K, tillverkade av Systemair. Handboken innehåller grundläggande information och rekommendationer som berör utformning, installation, driftsättning och drift av aggregatet. Syftet är att aggregatet ska fungera felfritt.

Läs handboken noga och följ alla anvisningar och säkerhetsanvisningar för att säkerställa korrekt användning av och säker funktion hos aggregatet.

## 5 Produktinformation

### 5.1 Allmänt

SAVE VTR 150/K är ett ventilationsaggregat med värmeåtervinningsfunktion med inbyggd roterande värmeväxlare och integrerad köksfläkt. SAVE VTR 150/K är lämplig för mindre lägenheter och småhus. Aggregatet förser bostadsutrymmen med filtrerad uteluft och evakuerar frånluft från kök och från badrum och andra våtrum.

Det finns två utföranden: höger (R) och vänster (L) (figur 1). Vänsterutförandet (L) har tilluftsutloppet på aggregatets vänstra sida, högerutförandet (R) har tilluftsutloppet på höger sida. Båda utförandena finns med monterat eftervärmningsbatteri på 500 W eller 1000 W.

## 5.2 Installationsrekommendationer gällande kondensation

### 5.2.1 Kondens inuti enheten

När aggregatet är installerat på en kall vind (nära utetemperaturen) bör aggregatet arbeta kontinuerligt. Om aggregatet är avsett att stoppas av användaren manuellt eller på grund av kalenderfunktionen rekommenderar vi att installera lufttätt spjäll vid från- och tilluftskanalerna. Spjällen kommer att se till att luften inte cirkulerar från de varma delarna av byggnaden genom aggregatet till utsidan (skorstenseffekten). Om inget spjäll är installerat finns det risk för kondens inuti aggregatet och utluftskanalerna under dessa stopperioder. Det kan också medföra att kall luft från utsidan kan passera igenom aggregatet och gå in i byggnaden. Som kan orsaka kondens utanför frånluftskanalerna och även i ventilerna i rummen.

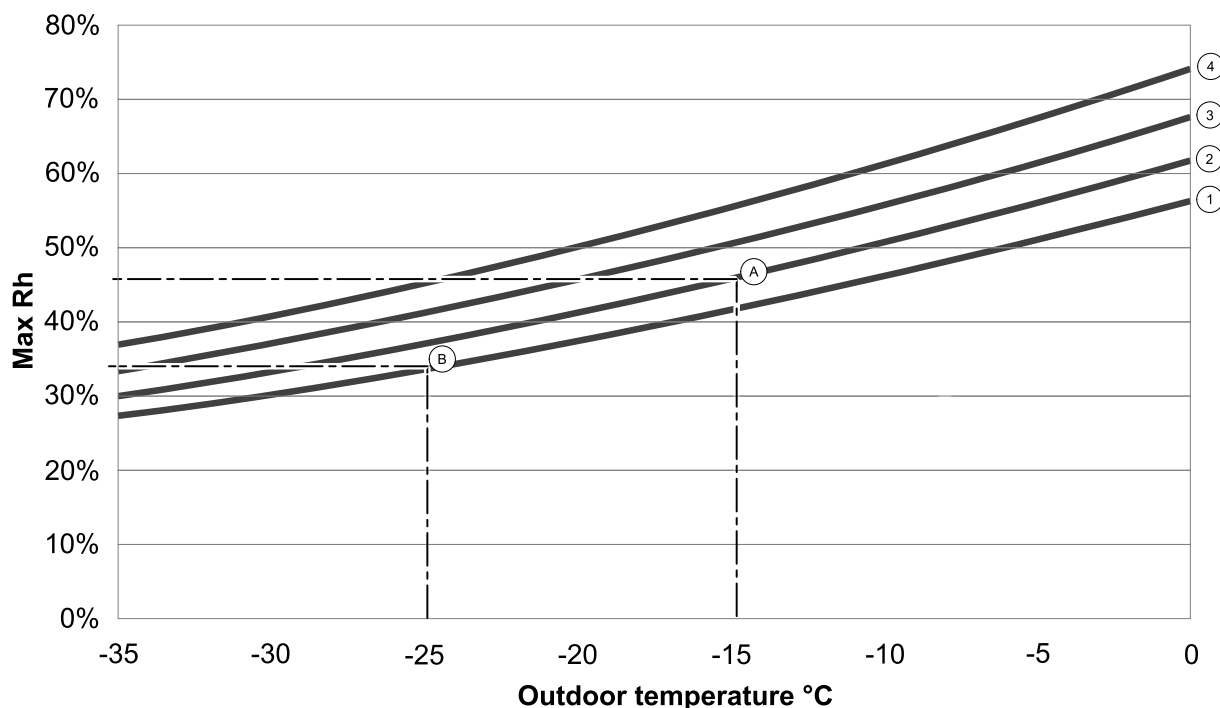
När aggregatet inte är i drift på grund av sen driftsättning vintertid, ska till- och frånluftskanalerna kopplas bort och stängas på grund av ovan nämnda effekter fram tills driftsättning och regelbunden drift.

### 5.2.2 Kondensering på aggregatets utsida

När aggregatet är installerat i varma fuktiga miljöer (som tvättstuga) tillsammans med låg utomhustemperatur finns det en viss punkt där dessa omständigheter kan leda till att fukt kondenserar på höljets utsida. Kondenseringen i förhållande till relativ fuktighet inomhus, rum- och utetemperaturen visas i diagram nedan. Kondenseringen på aggregatets utsida förekommer inte i zonerna under varje kurva.

#### Viktigt

Rekommendation: Om kondensation inträffar, öka ventilation i området nära aggregatet.



1. Rumstemperatur 20°C
2. Rumstemperatur 22°C
3. Rumstemperatur 24°C
4. Rumstemperatur 26°C

Exempel på när kondens på aggregatets utsida kan inträffa:

**Exempel A:** Om aggregatet installeras i utrymmen där temperaturen är 22°C och utomhustemperaturen är -15°C, så kommer dagg att börja hopa sig när den relativa luftfuktigheten är 46% eller högre.

**Exempel B:** Om aggregatet installeras i utrymmen där temperaturen är 20°C och utomhustemperaturen är -25°C, så kommer dagg att börja hopa sig när den relativa luftfuktigheten är 34% eller högre.

### 5.3 Transport och förvaring

SAVE VTR 150/K ska lagras och transporteras på sådant sätt att det skyddas mot fysiska skador på paneler med mera. Aggregatet bör täckas så att damm, regn och snö inte kan tränga in och skada det och dess komponenter.

Aggregatet levereras i ett stycke, som innehåller alla nödvändiga komponenter. Det är inslaget i plast och står på en pall för att underlätta transporten.

### 5.4 Tekniska data

#### 5.4.1 Mått och vikt

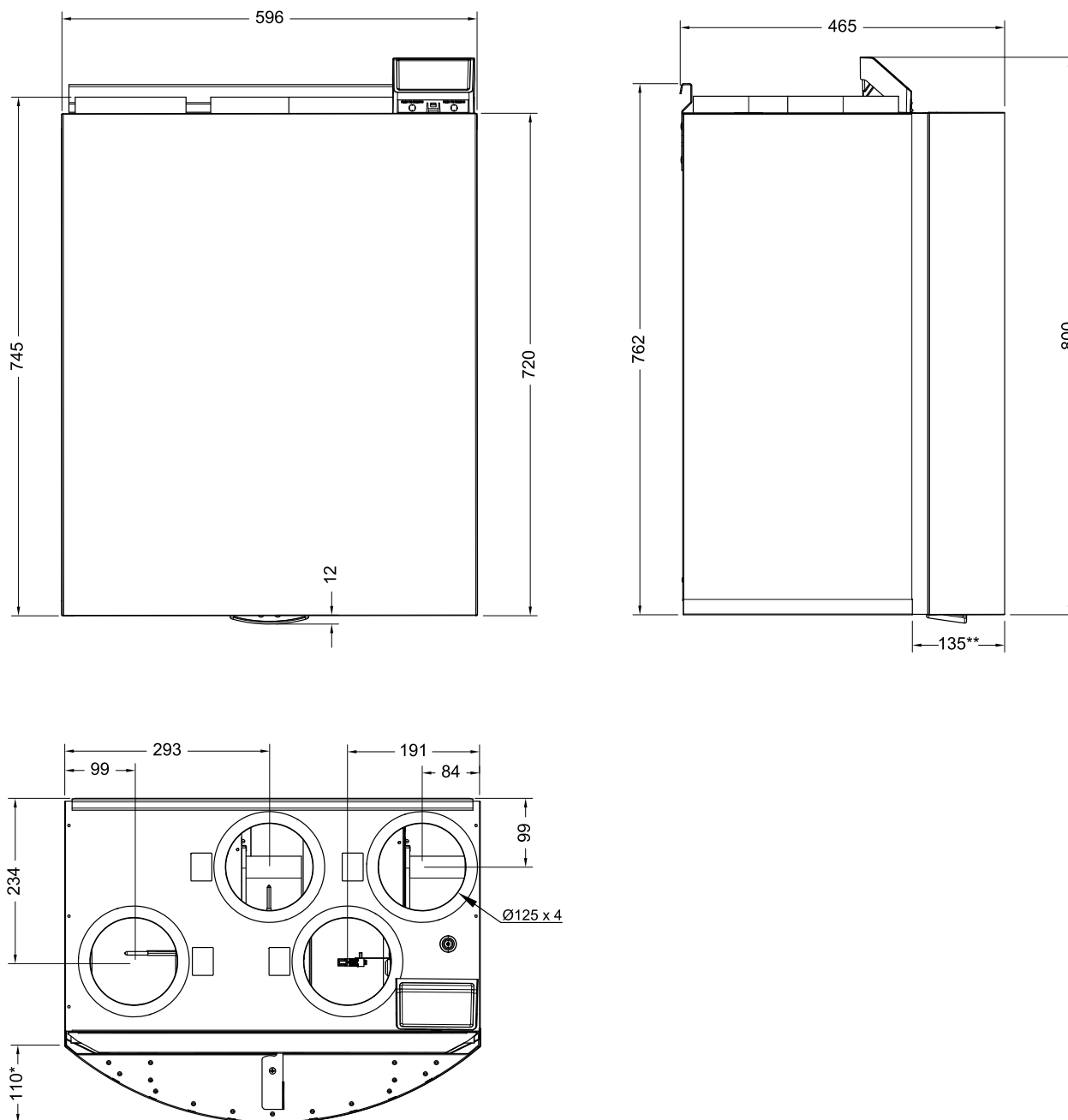


Fig. 1 Mått av vänsteranslutet aggregat

Aggregatets vikt är 61 kg.

### 5.4.2 Anslutningar, vänster- och högerutförande

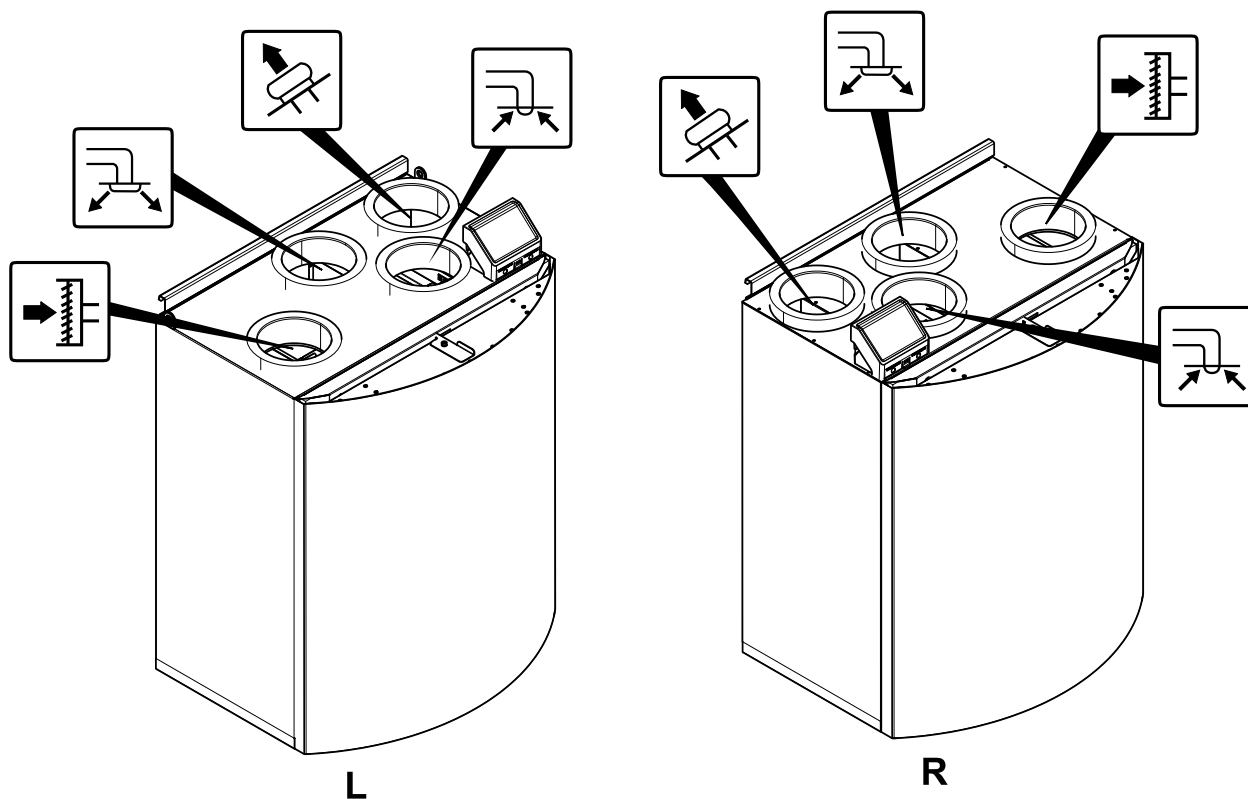


Fig. 2 Vänster- och högerutförande

Position	Beskrivning
R	Högerutförande (tilluftsanslutningen sitter på aggregatets högra sida, sett framifrån)
L	Vänsterutförande (tilluftsanslutningen sitter på aggregatets vänstra sida, sett framifrån)

Symbol	Beskrivning	Symbol	Beskrivning
	Tilluft		Uteluft
	Avluft		Frånluft

Kanalanslutningar: Ø 125 mm

### 5.4.3 Systemkurvor

Varje tryckförändring i ventilationssystemet ger ett annat luftflöde.

Varje kurva visar olika luftflödesinställningar:

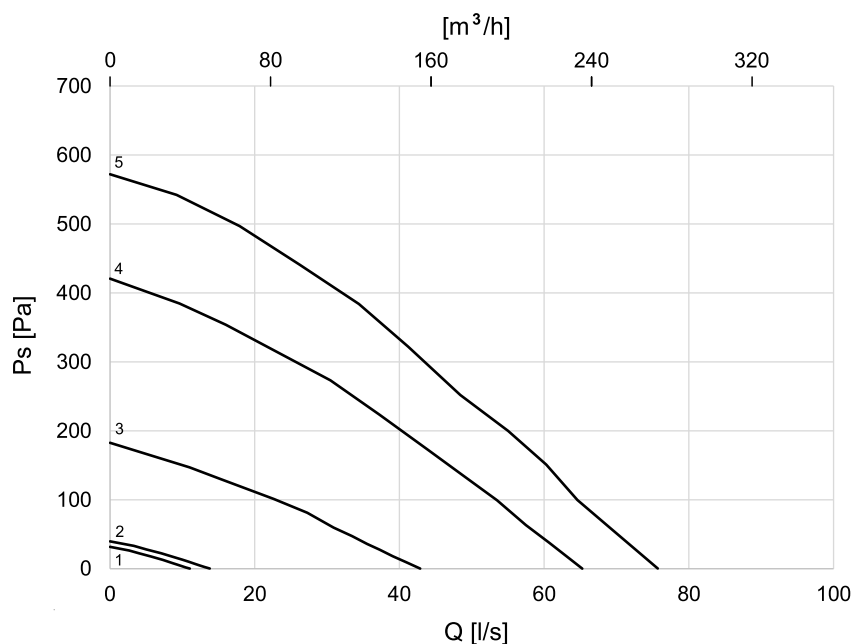
1. 16% (MINIMUM NIVÅ)
2. 20% (LÅG NIVÅ)
3. 50% (NORMAL NIVÅ)
4. 80% (HÖG NIVÅ)
5. 100% (MAXIMUM NIVÅ)

Luftflöde nivåinställningar kan ändras i Servicemeny.

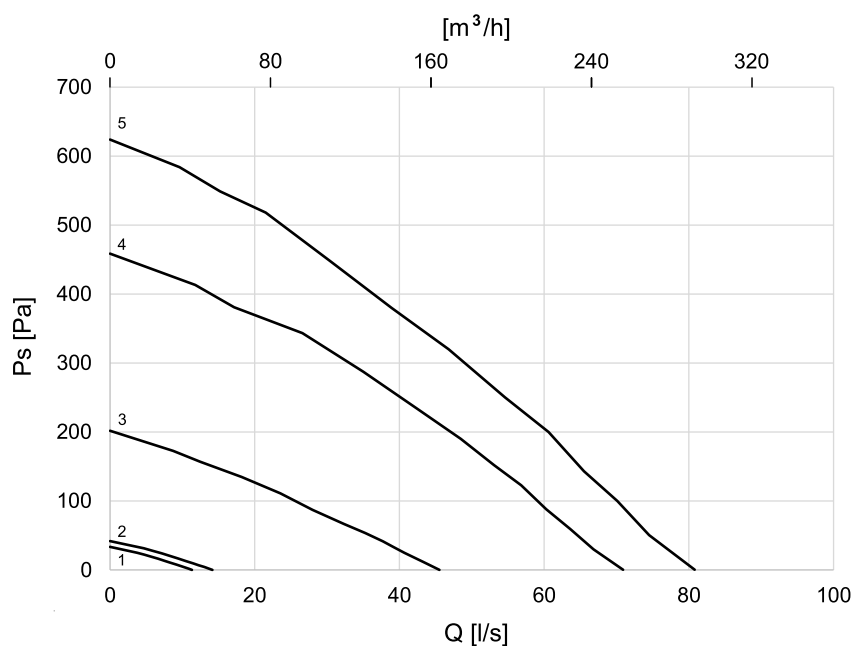
Tryck påverkas av filtertypen och varierar beroende på olika filterkombinationer.

Systemkurvor för varje luftflöde med standardfilter visas nedan:

#### 5.4.3.1 Tilluft, filter typ M5/ePM10 60 %



#### 5.4.3.2 Frånluft, filter typ M5/ePM10 60 %



#### 5.4.4 Effektförbrukning och säkringsstorlek

SAVE VTR 150/K finns med monterat eftervärmningsbatteri på 500 W eller 1000 W .

Tabell 1 Elektriska data

Eftervärmningsbatteri	500 W	1000 W
Fläktar	172 W	
Total effektförbrukning	672 W	1172 W
Säkring	10 A	



## 6 Installation

### 6.1 Uppackning

Kontrollera att all beställd utrustning har levererats innan monteringen inleds. Eventuella avvikelser ska rapporteras till leverantören av Systemair-produkterna.

### 6.2 Installation var och hur?

SAVE VTR 150/K är avsedd för montering ovanför köksspis.

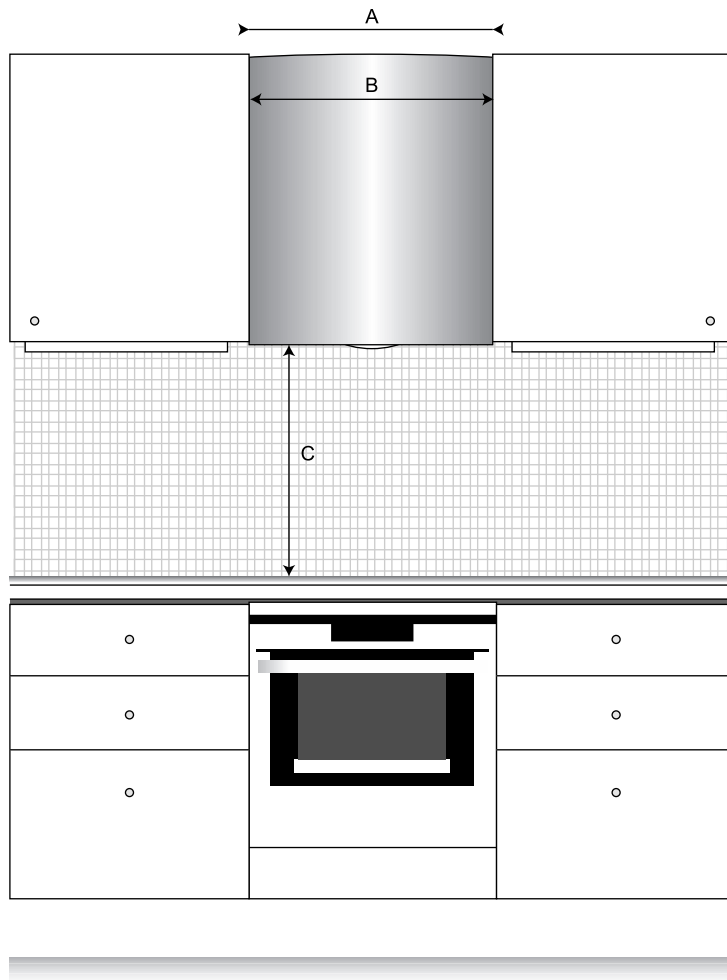


Fig. 3 SAVE VTR 150/K i köksmiljö

<b>A</b>	Minsta avstånd mellan skåp (mm)	600
<b>B</b>	SAVE VTR 150/K -aggregatets bredd (mm)	598
<b>C, elspis</b>	Minsta avstånd mellan spisens yta och köksfläkt (mm)	450 (500 rekommenderas)
<b>C, gasspis</b>	Minsta avstånd mellan spisens yta och köksfläkt (mm)	650

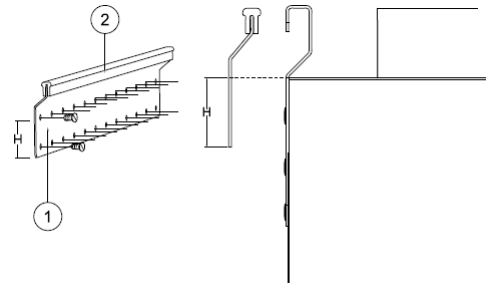
### 6.3 Installationsinstruktioner för SAVE VTR 150/K

- 1 Förbered ytan där aggregatet ska monteras. Se till att ytan är jämn och vågrät, och kontrollera att den kan bära aggregatets tyngd. Utför installationen i enlighet med lokala regler och föreskrifter.

- 2 Sätt fast monteringsfästet (pos. 1) med det vibrationsdämpande mellanlägget (pos. 2) i väggen med hjälp av de medföljande skruvarna. Se till att hålen är lagom stora, så att det går att skruva fast fästet tätt mot väggen. Fästets underkant ska sitta 40 mm (H) under aggregatets översida.

**Obs!**

Kontrollera att fästet sitter helt vågrätt monterat på väggen. Använd vattenpass.



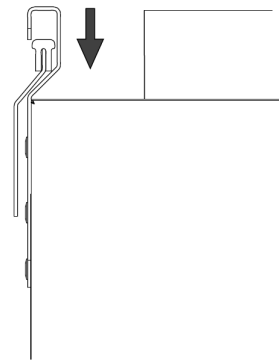
- 3 Lyft aggregatet på plats.

**Varning**

Se upp för vassa kanter vid installation och underhåll. Använd skyddshandskar. Beakta aggregatets vikt vid montering av fästet.

**Obs!**

Kontrollera med vattenpass att aggregatet sitter helt lodrätt på väggen. Använd vattenpass.



- 4 Anslut aggregatet till kanalsystemet. Använd erforderliga tillbehör för att skapa en fungerande ventilationslösning.

**Varning**

Aggregatet och hela ventilationssystemet ska installeras av behörig personal och i enlighet med gällande krav och föreskrifter.

## 6.4 Demontering/montering av utvändig front

Den utvändiga fronten är fäst med fyra stift. Demontera genom att föra spärren åt vänster och dra fronten mot dig.

Montera den utvändiga fronten genom att följa stegen i omvänd ordning.

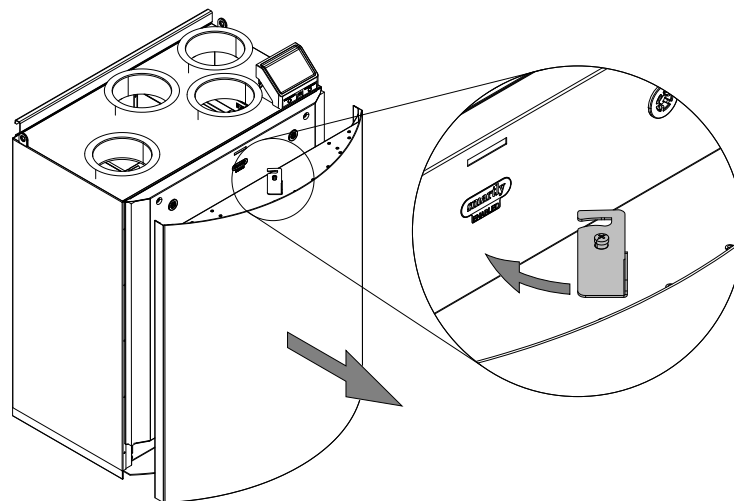


Fig. 4 Demontering/montering av utvändig front

## 6.5 Demontering/montering av invändig front

Den invändiga fronten är fäst med fyra skruvar. Lossa skruvarna och dra den invändiga fronten mot dig.

Sätt dit den invändiga fronten och dra åt monteringskruvarna ordentligt för att förhindra luftläckage.



### Obs!

Observera de två gejdskruvarna längst ned på den invändiga fronten när du ska montera den. Dessa skruvar ska in i de två hålen i det invändiga luckfästet.

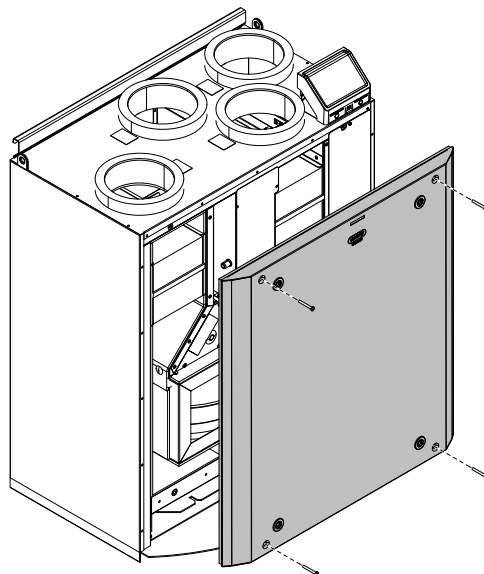


Fig. 5 Demontering/montering av invändig front

## 7 Konfiguration

### 7.1 Allmänt

SAVE VTR 150/K har en modern LCD-pekskärmsmanöverpanel, vanligtvis benämnd HMI - Human Machine Interface (mänskligt maskingränssnitt). Displayen ger information om aggregatets aktuella status och gör att du kan styra alla systemfunktioner.

Inställningar görs genom att röra vid ikonerna eller alternativen. Pekskrmen är känslig och det är inte nödvändigt att trycka för hårt.

### 7.2 Startguide

Under den första påslagningen av aggregatet blir du ombedd att ange:

- Menyspråk
- Tid och datum
- Luftflödesregleringstyp (manuell/Varvtal) och luftflödesnivåvärdena.
- Typ av värmare (Ingen//ElektriskVattenKombi-batteri)

Om Startguide avbryts startas den igen vid nästa start av aggregatet, detta fortsätter tills Startguide har avslutats.

### 7.3 Vanliga symboler

Följande symboler är vanliga och förekommer i de flesta menysidor:



Knappen tillbaka för att gå tillbaka till en föregående meny, finns i det övre vänstra hörnet



Uppåtpilen för att öka ett värde



Nedåtpilen för att minska ett värde



På- och avreglaget finns för att aktivera eller avaktivera en funktion. Vit bubbla - funktion är inaktiv, gröna bubbla - funktion är aktiv.

**AVBRYT**

Knapp för att avbryta ändringar

**STÄLL  
IN/OK**

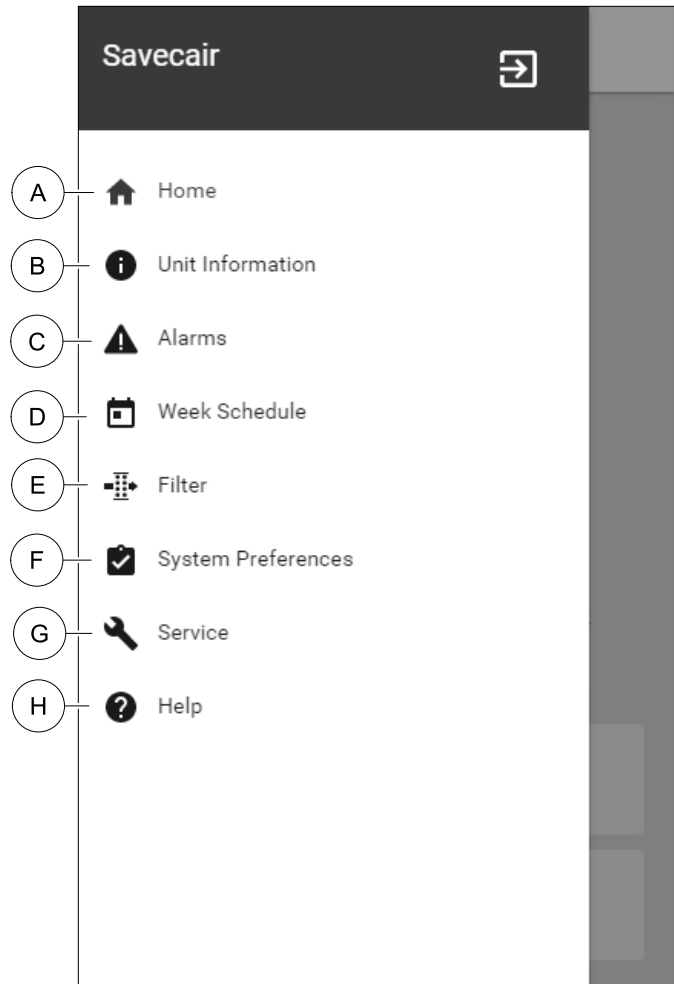
Knappar för att bekräfta ändringar

Vissa meny har flera än en sida. Tryck på sidans indikator i det övre högre hörnet för att gå till nästa sida. Ex (1/2) Den första siffran anger det aktuella sidonumret och den andra siffran anger den totala summan av alla sidor.


Många alternativ visas upp i en form av popup-fönster. Välj bland alternativen som visas i listan i popup-fönstret och tryck på OK för att bekräfta valet.

## 7.4 Menyöversikt

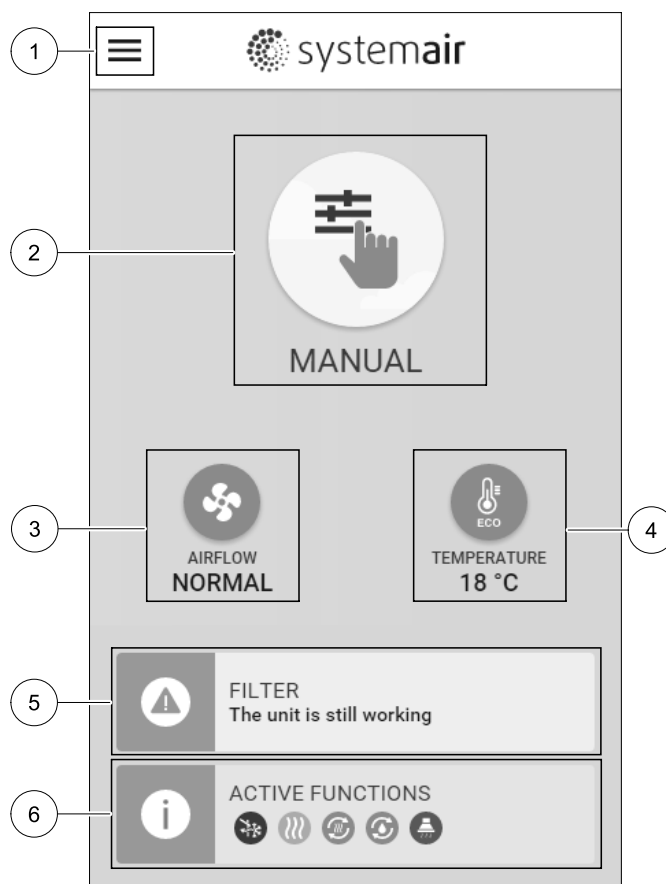
- A. Gå tillbaka till hemskärmen
- B. Grundläggande skrivskyddad information om aggregatet
- C. Aktiva larm och larmhistorik
- D. Konfigurera och kontrollera veckoschema
- E. Kontrollera och ändra återstående tid till filterbyte
- F. Allmänna systeminställningar
- G. Konfiguration av alla systemparametrar
- H. Hjälps- och felsökningsmeny



## 7.5 Hemskrmen

 Tryck på hemknappen (position A) i rullgardinsmenylista (position 1) tar dig alltid tillbaka till hemskrmen efter driftsättning.

1. Rullgardinsmenylista
2. Aktivt anvndarlge
3. Luftflodesinstllningar
4. Instllning av temperatur
5. Lista över aktiva larm
6. Ikonlista över aktiva anvndares funktioner





### 7.5.1 Anvndarlgen

Den frsta ikonen lngst upp p hemskrmen visar fr nrvande aktiva anvndarlgen. Fr att ndra anvndarlge tryck p det aktiva anvndarlgets ikon (position 2) och vlj ett nytt anvndarlge frn listan. Aggregatet har 2 fasta och 5 tillflliga anvndarlgen som kan vljas. Bara ett lge t gngen kan vara aktivt.

Instllningar i alla lgen kan ndras i *Service-* meny.






#### 7.5.1.1 Permanenta lgen

Permanenta lgen r alltid aktiva om de inte avbryts av tillflliga lgen, aktiverade anvndarfunktioner eller larm:

Ikon	Text	Beskrivning
	AUTO	Automatisk luftflodesreglering. AUTO -lge kan vljas nr Behovsstyrning, Veckoschema och/eller externa flktstyrningsfunktioner r konfigurerade, annars kommer AUTO symbolen inte synas i aktiva anvndarlgens meny. AUTO -lget aktiverar Behovsstyrning, Veckoschema och/eller externa flktstyrningsfunktioner. Behov finns att vlja som luftflde i veckoprogrammet.
	MANUELL	Manuellt val av luftflodesnivur. Aggregatet kan stllas in till en av fyra tillgngliga luftflodeshastigheter: Av/Lg/NORMAL/Hg.  <b>Obs!</b> Flkten kan stllas in till AV genom att aktivera Manuellt Flktstopp funktionen i servicemenyn.

#### 7.5.1.2 Tillflliga lgen

Tillflliga lgen r endast aktiva under en bestmd tidsperiod om de inte avbryts av aktiva anvndarlgen, aktiverade funktioner eller larm:



Ikön	Text	Beskrivning
	SEMESTER	Ställer in hastigheten för både till- och frånluftsfläktar till Låg nivå när användaren är bortrest under en längre period. ECO-läget är aktivt. Inställ tid i dagar.
	PARTY	Ställer in hastigheten för både till- och frånluftsfläktar till maximalt höga nivåer och temperaturvärdesförskjutning till -3 K när lägenhet är mer välbesökt än vanligt. Standard temperaturvärdesförskjutning är -3 K. Inställning av tid i timmar.
	BORTA	Ställer in hastigheten för både till- och frånluftsfläktar till Låg när användaren är bortrest under en kort tid. ECO-läget är aktivt. Inställning av tid i timmar.
	VÄDRING	Ställer in hastigheten för både till- och frånluftsfläktar till maximala hög nivå för att ersätta inomhusluft med frisk luft på kort tid. Inställning av tid i minuter.
	ELDSTAD	Ställer in hastigheten av tilluftsfläkt till hög nivå och frånluftsfläkten till låg nivå för att öka lufttrycket i lägenheten för bättre rökevakivering genom skorstenen. Inställning av tid i minuter.

Inställningar i alla lägen kan ändras i Service- menyn.

Tillfälliga lägen och funktioner är endast aktiva under en bestämd tidsperiod efter vilken de avslutas och aggregatet återgår till ett tidigare AUTOMATISKT eller MANUELLT läge beroende på vilket som var aktiverat före tillfälligt läge eller användarfunktion var aktiverad.

### 7.5.1.3 Digital ingångsfunktioner

Digitala ingångsfunktionerna är alltid aktiva medan den digitala ingången är aktiverad.

Ikön	Text	Beskrivning
	Centraldammsugare	Funktionen ställer in hastigheten av tilluftsfläkt på hög nivå och frånluftsfläkten till låg nivå för att öka lufttrycket inom lägenheten för bättre uppsamling av damm genom den centrala dammsugare. Funktionen kan aktiveras via en digital ingång - Centraldammsugarfunktionen.
	Spiskåpa	Ställer in hastigheten av tilluftsfläkt till hög nivå och frånluftsfläkten till låg nivå för att öka lufttrycket inom lägenheten för bättre uppfångning av luftburna fettpartiklar och ånga i köket. Funktionen kan aktiveras via en digital ingång - köksfläktens funktion.

### 7.5.1.4 Digital ingång och hierarkiläge

Användarlägen och funktioner har en annan hierarki. Användarnas funktioner som aktiveras via HMI eller mobilapp är sådana som BORTA, PARTY, ELDSTAD, SEMESTER och VÄDRA avbryts av manuellt val av AUTOMATISKA och MANUELLA fläktlägen.

EnELDSTADSFUNKTION har högsta prioritet mellan användarfunktioner. Andra funktioner aktiveras via HMI/APP kan störa varandra.

Om eldstadsfunktionen är fastkopplad på anslutningskortet och konfigureras som digital ingång (DI) har det där efter högre prioritet än AUTOMATISKT och manuell läge. Den digitala ingången för en Eldstadsfunktion har också en högre prioritet än andra hårt dragna digitala ingångar (DI) för: BORTA, CENTRALDAMMSUGARE, SPISKÅPA, PARTY, SEMESTER eller VÄDRA.

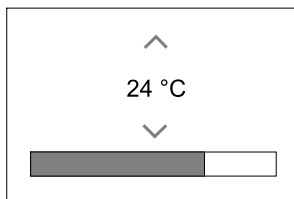
#### Digital ingång och lägeshierarki:

1. EXTERNT STOPP
2. ELDSTADSFUNKTION
3. SPISKÅPA, CENTRALDAMMSUGARE, PARTY, VÄDRA
4. Funktioner för BORTA, PARTY

## 7.5.2 Inställning av temperatur



Temperaturen kan ställas in på VÄLJ TEMPERATUR-meny tillgänglig från hemskärmen genom att trycka Temperatursymbolen med en termometer. Standard temperaturvärde är 18°C (12- 30°C).



Använd upp- och nedpilarna eller ett skjutreglage för att ändra värdet.

Tryck sedan på OK för att bekräfta ändringarna.

Temperaturbörvärdet är för rumsluftstemperatur, tilluftstemperatur eller för frånluftstemperatur beroende på vilket kontrolläge som är aktivt. Standardinställning är tilluftstemperatur.

Kontrolläge av temperaturen kan ändras i Servicemenyn.

### 7.5.2.1 ECO-läge



ECOLÄGE är en energisparfunktion som kan aktiveras i VÄLJ TEMPERATUR-meny.

ECO-läge funktion är möjlig bara när en intern värmare är installerad och konfigurerad.

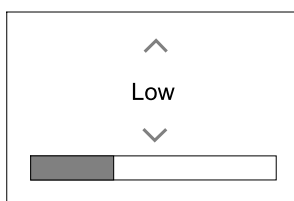
Medan ECO-läget är aktivt, sänks ett temperaturbörvärde vid vilket värmaren är aktiverad för att undvika aktivering av värmaren under den kalla natten.

Om temperaturen är mycket låg och värmaren aktiveras under natten (även med sänkt temperaturbörvärde), kommer inomhustemperaturen sedan att ökas under kommande dagtid med värmeväxlaren så att lagrad värme kan användas under nästa kalla natt, där det sänkta börvärdet för värmaren kvarstår.

ECO-läget kommer att påverka de följande funktionerna/lägena om valda:	ECO-LÄGET är alltid aktiverad av följande lägen:
<ul style="list-style-type: none"> <li>• AUTOLÄGE</li> <li>• MANUELLT LÄGE</li> <li>• BORTALÄGE</li> <li>• SEMESTERLÄGE</li> <li>• CENTRALDAMMSUGARE</li> <li>• SPISKÅPA</li> <li>• ELDSTADSLÄGE</li> </ul>	<ul style="list-style-type: none"> <li>• BORTALÄGE</li> <li>• SEMESTERLÄGE</li> </ul>
	<p><b>ECO-läge avaktiveras alltid med följande funktioner/lägen:</b></p> <ul style="list-style-type: none"> <li>• PARTYLÄGE</li> <li>• VÄDRINGSLÄGE</li> <li>• FRIKYLNINGSFUNKTIONEN</li> </ul>

## 7.5.3 Luftflödesinställningar

Luftflödesinställningarna är endast tillgängliga i manuell läge. Klicka på fläktikonen på huvudskärmen för att gå in på meny för att välja LUFTFLÖDE.



Använd upp- och nedpilarna eller ett skjutreglage för att ändra luftflödets värde.

Luftflödet kan ställas in i följande steg: *Av/Låg/Normal/Hög*. Inställningen styr utsignalerna till tillufts- och frånluftsfläktarna.

### Viktigt

Vi rekommenderar **inte** att ställa in fläkten på *Av* i vanliga bostäder. Om manuellt fläktstopp aktiveras bör aggregatet förses med spjäll i avlufts- och uteluftskanalerna för att undvika kallras och risk för kondens när aggregatet har stoppats. Fläkten kan sättas till *Från* genom att aktivera *Manuell Fläktstoppfunktion* i *servicemenyn*.

## 7.5.4 Inomhusluftens kvalitet



Enheten styr automatiskt luftfuktigheten inomhus och/eller CO<sub>2</sub> nivåerna genom att justera luftflödet. Luftflöde ökar om luftkvalitet minskar.

Behovsstyrningsfunktionen ansvarar för IAQ (Inomhusluftens kvalitet) reglering. Relativ fuktighet (RH) och/eller CO<sub>2</sub>-sensorerna är ansvariga för IAQ-övervakning.

Luftkvalitetens (IAQ) inomhusindikator finns om *AUTOLÄGE* och *behovsstyrning* är aktiverat.

### IAQ-nivåer:

- *EKONOMI*: Faktiska IAQ-värdet är lägre än låg IAQ-börvärdet.
- *BRA*: Faktiska IAQ-värdet ligger mellan de låga och höga IAQ-gränserna.
- *FÖRBÄTTRAS*: Faktiska IAQ-värdet är högre än ett högt IAQ-börvärde.

Olika Luftflödesinställningar kan ställas in för att *FÖRBÄTTRAS* och *BRA* IAQ-nivåer i *servicemenyn*.

Börvärde för relativ luftfuktighet och CO<sub>2</sub> Nivån kan ställas in i *servicemenyn*.

## 7.5.5 Statusraden.

Statusraden i området längst ned på hemskrämen visar information om:



Lista över aktiva larm. Se kapitel 7.7.2.3 för mer information









Lista över aktiva funktioner. Se kapitel 7.6 för mer information.

Rör vid någon av dessa linjer för att gå till nästa sida med en mer detaljerad lista och information om varje larm och aktiv användarfunktion.

## 7.6 Beskrivning av användarfunktionernas ikoner

Ikön	Text	Beskrivning
	Värme	Ansluten värmare eller förvärmare är aktiv och luftuppvärmning pågår.
	Värmeåtervinning	Värmeåtervinning från lägenhet är aktiv.
	Kylning	Ansluten kylare är aktiv och luftkylning pågår.
	Kylåtervinning	Automatisk kylåtervinning är aktiv när frånluftstemperaturen från lägenhet är lägre än uteluftstemperaturen och det finns ett kylbehov (temp. börvärde är lägre än uteluftstemperaturen). Ingen kylåtervinning vid uppvärmningsbehov. Om utomhustemperaturen är högre än inomhusluftens temperatur och det finns ett uppvärmningsbehov, aktiveras funktionen <i>Fri uppvärmning</i> i stället.
	Frikyla	Funktionen minskar inomhusluftens temperatur genom att endast använda sval uteluft på natten för att spara energi.

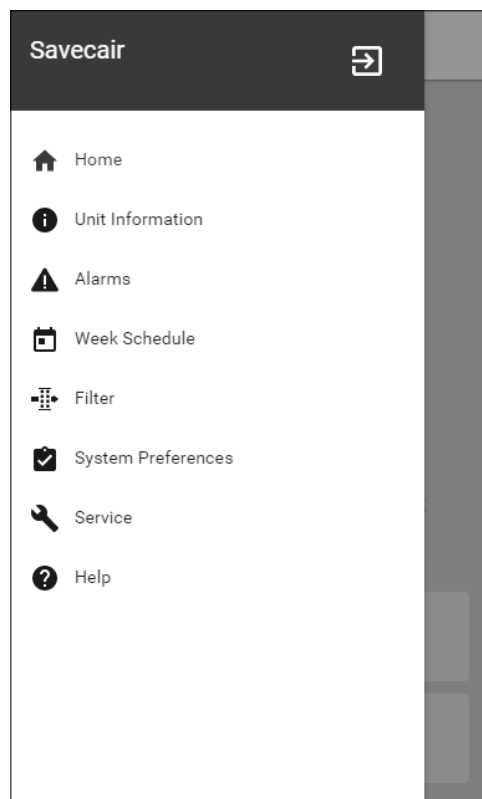


Ikon	Text	Beskrivning
	Fuktöverföring	Funktionen styr rotationshastigheten hos värmeväxlaren för att förhindra fuktöverföring till tilluften på grund av för hög relativ fuktighet i frånluften. Funktionen är endast tillgänglig för enheter med roterande värmeväxlare.
	Avfrostning	Funktionen förhindrar bildande av is på värmeväxlaren vid låga utetemperaturer.
	Sekundär luft	Varm luft från vardagsrum används för att avfrosta värmeväxlaren med ett spjäll inuti uteluftskanalen. Enheten växlar från uteluft till sekundärluft medan frånluftsfläkten stannar och varm sekundärluft höjer temperaturen inuti värmeväxlaren.
	Dammsugare	Funktionen ställer in hastigheten av tilluftsfläkt på hög nivå och frånluftsfläkten till låg nivå för att öka lufttrycket inom lägenheten för bättre uppsamling av damm genom centralsugare. Funktionen kan aktiveras via en digital ingång - Centraldammsugarfunktionen. Alltid aktiv medan digital ingång är aktiverad.
	Spiskåpa	Ställer in hastigheten av tilluftsfläkt till hög nivå och frånluftsfläkten till låg nivå för att öka lufttrycket inom lägenheten för bättre uppfångning av luftburna fettpartiklar och ånga i köket. Om en flätkåpa med inbyggd fläkt används gäller rekommendationen att ställa in luftflödesnivåer av båda fläktarna till det normala. Funktionen kan aktiveras via en digital ingång - köksfläktens funktion. Alltid aktiv medan digital ingång är aktiverad.
	Användarlås	Funktion indikerar att systemet är låst med ett lösenord och inställningar kan inte redigeras eller ändras på något sätt. Systemet måste först låsas upp för att göra ändringar.

## 7.7 Huvudmeny



Användarinställningar och avancerade inställningar



## 7.7.1 Information



Grundläggande skrivskyddad information om status för konfigurerade komponenter och in- /utgångar.

### 7.7.1.1 Komponenter

Typ och inställningar av värmeväxlare, värmare, kylare, extra handkontroll.

### 7.7.1.2 Givare

Värden från givarna och belastningen av fläktar (varvtal).

### 7.7.1.3 Ingångsstatus

Status för konfigurerade analoga, digitala och universella ingångar. Anslutna komponentens typ och Råvärde (volt) visas.

### 7.7.1.4 Utgångsstatus

Status för konfigurerade analoga, digitala och universell utgångar. Anslutna komponentens typ och värde (volt) visas.

### 7.7.1.5 Aggregatversion

Aggregatets modellnamn, tillverkare, serienummer och programversion för Huvudkretskort, HMI och IAM.

## 7.7.2 Larm



Detaljerad information om aktiva systemlarm och larmloggen av de senaste 20 händelser.

### 7.7.2.1 Aktiva larm

Larmskärmen är tom om det inte finns några aktiva eller loggade larm.

Tryck på knappen HJÄLPPå det aktiva larmet för komma till vanliga frågor och felsökning (om tillgängligt). Tryck ÅTERSTÄLL på det enskilda larmet för att ta bort det. Beroende på typ av larm och orsak, kan det vara nödvändigt att göra en felsökning först, för att återställa eventuella aktiva larm.

Det kan vara så att det inte går att rensa statusen av larmet om orsaken till larmet kvarstår, vilket leder till att larmet omedelbart löser ut igen.

### 7.7.2.2 Larmlogg

Larmloggen kan visa de senaste 20 larmen.

Varje larm innehåller informationen:

- Larmnamn
- Datum/tid
- Information om larmet stoppar enheten eller annat meddelande

### 7.7.2.3 Larmlista

Larmnamn	Förklaring	GÖR FÖLJANDE
Frys skydd	Frys skydd av returvattentemperaturen i värmeslingan. <ul style="list-style-type: none"> <li>Larm stoppar aggregatet och öppnar vattenventilen helt.</li> </ul>	Larmet återställs när vattentemperaturen når 13°C. Kontrollera vattnets temperatur i värmeslingan. Kontrollera vattenvärmarens cirkulationspump. Kontakta din montör eller återförsäljare.
Frys skyddstemperaturgivare	Indikerar felfunktion för vattenvärmarens temperaturgivare. <ul style="list-style-type: none"> <li>Larm stoppar aggregatet.</li> </ul>	Kontrollera att frys skyddstemperaturgivaren är korrekt ansluten och att kabeln inte skadas. Kontakta din montör eller återförsäljare.
Avfrostningsfel	Indikerar fel på förvärmarens förvärmning av inkommande uteluft (ifall den extra regulatören är konfigurerad som Förvärmare). <ul style="list-style-type: none"> <li>Larm stoppar aggregatet.</li> </ul>	Kontrollera förvärmarens återställningsknapp. Kontrollera förvärmningskablage. Kontakta din montör eller återförsäljare. Avfrostningsfel kan uppstå på grund av extremt låga uteluftstemperaturer eller fel på förvärmningsbatteri.
Tillluftsfläkts varvtal	Rotationsvarvtal för tilluftsfläkten är lägre än det lägsta som krävs. Fläktfelfunktion <ul style="list-style-type: none"> <li>Larm stoppar aggregatet.</li> </ul>	Kontrollera fläktens snabbkopplingar. Kontakta din montör eller återförsäljare.
Frånluftsfläkts varvtal	Rotationsvarvtal för frånluftsfläkten är lägre än det lägsta som krävs. Fläktfelfunktion <ul style="list-style-type: none"> <li>Larm stoppar aggregatet.</li> </ul>	Kontrollera fläktens snabbkopplingar. Kontakta din montör eller återförsäljare.
Reglerfel tilluftsfläkt	Flödes- eller trycklarm för tilluftsfläkt Trycket är under tryckgränsen. <ul style="list-style-type: none"> <li>Larm stoppar aggregatet.</li> </ul>	Kontrollera att luftslangen för tryckgivaren är korrekt ansluten och att kabeln inte har skadats. Kontakta din montör eller återförsäljare.
Reglerfel frånluftsfläkt	Flödes- eller trycklarm för frånluftsfläkt Trycket är under tryckgränsen. <ul style="list-style-type: none"> <li>Larm stoppar aggregatet.</li> </ul>	Kontrollera att luftslangen för tryckgivaren är korrekt ansluten och att kabeln inte har skadats. Kontakta din montör eller återförsäljare.
Brandlarm	Brandlarmet är aktivt <ul style="list-style-type: none"> <li>Larm stoppar aggregatet.</li> </ul>	När det externa brandlarmet är inaktiverat - larmet måste återställas och aggregatet startas om.
Katastroftermostat	Indikerar att överhettningsskyddet har utlösts (om elektriskt eftervärmningsbatteri är installerat).	Ett överhettningsskydd med manuell eller automatisk återställning (EMT) utlöser ett larm i kontrollpanelen. Ifall det manuella överhettningsskyddet utlösts, återställs det genom att trycka på återställningsknappen. Ifall det automatiska överhettningsskyddet utlösts, återställs det automatiskt när temperaturen har sjunkit. Kontakta montören eller återförsäljaren om problemet kvarstår.

Larmnamn	Förklaring	GÖR FÖLJANDE
Bypass-spjäll	Indikerar felaktigheter i bypass-spjället	Koppla från huvudströmbrytaren i 10 sekunder för att återställa styrfunktionen. När aggregatet startas utförs ett automatiskt test av bypass-spjället. Om larmet utlöses igen, efter cirka 2 minuter - Kontakta din montör eller återförsäljare.
Rotorvakt	Indikerar rotorfelfunktion. Ingen rotationsvaktssignal i 180 sekunder.	Om den roterande värmeväxlaren har stannat. Kontrollera rotorremmen. Om värmeväxlaren fortfarande roterar, kontrollera att snabbkopplingen för givaren är ansluten och att det finns 5–10 mm luftspalt mellan givaren och magneten. Justera spalten, om så behövs. Om larmet kvarstår kan rotorgivaren vara defekt. Kontakta din montör eller återförsäljare.
Sekundärluftspjäll	Sekundärluftavfrostning misslyckades. Uteluftstemperaturgivaren mäter < 10°C inom 2 sekunder efter avfrostning ELLER Uteluftstemperaturgivaren mäter < 5°C inom 5 minuter efter avfrostning	Kontrollera om sekundärluftspjället är i korrekt position. Kontrollera att spjället är korrekt anslutet och att kabeln inte skadas. Kontakta din montör eller återförsäljare.
Temperaturgivare för uteluft	Indikerar om utomhustemperaturgivaren har felfunktion.	Kontrollera att givaren är korrekt ansluten och att kabeln inte skadas. Kontakta din montör eller återförsäljare.
Överhettningstemperaturgivare	Indikerar om överhettningstemperaturgivaren har felfunktion.	Kontrollera att givaren är korrekt ansluten och att kabeln inte skadas. Kontakta din montör eller återförsäljare.
Temperaturgivare för tilluft	Indikerar om tilluftstemperaturgivaren har en felfunktion.	Kontrollera att givaren är korrekt ansluten och att kabeln inte skadas. Kontakta din montör eller återförsäljare.
Temperaturgivare för rumsluft	Indikerar om rumsluftsgivare får felfunktion.	Kontrollera att givaren är korrekt ansluten och att kabeln inte skadas. Kontakta din montör eller återförsäljare.
Temperaturgivare för frånluft	Indikerar om frånluftstemperaturgivare får felfunktion.	Kontrollera att givaren är korrekt ansluten och att kabeln inte skadas. Kontakta din montör eller återförsäljare.
Extraregulator temperaturgivare	Indikerar om extraregulatorns temperaturgivare får felfunktion.	Kontrollera att givaren är korrekt ansluten och att kabeln inte skadas. Kontakta din montör eller återförsäljare.
Temperaturgivare, verkningsgrad	Indikerar om Verkningsgradstemperaturgivare får felfunktion.	Kontrollera att givaren är korrekt ansluten och att kabeln inte skadas. Kontakta din montör eller återförsäljare.

Larmnamn	Förklaring	GÖR FÖLJANDE
PDM RH	Indikerar om den interna luftfuktighetsgivaren får felfunktion. Aktiv: uppmätta luftfuktigheten = 0 % Retur: uppmätta luftfuktigheten > 5%	Kontrollera att givaren är korrekt ansluten och att kabeln inte skadas. Kontakta din montör eller återförsäljare.
PDM RH Frånluftstemperatur ____ °C	Indikerar om den interna frånluftstemperaturgivaren får felfunktion. Aktiv: uppmätt temperatur = 0°C Retur: uppmätt temperatur > 5°C	Kontrollera att givaren är korrekt ansluten och att kabeln inte skadas. Kontakta din montör eller återförsäljare.
Filter	Dags att byta filter.	Byt filter. Byt filtren enligt instruktionerna i användarhandboken. Information om filteråterförsäljare finns i Hjälp-menyn.
EXTRAREGULATORLARM	Fel från extern enhet.	Kontrollera om den externa enheten är korrekt ansluten och att kabeln inte skadats. Återställ överhettningsskyddet på elvärmebatteriet. Kontakta din montör eller återförsäljare.
Externt stopp	Aggregatet stoppas via extern signal	Driften stoppas med digital signal från extern fjärransluten enhet eller signal från BMS-systemet.
Fläktstopp aktivt	Drift stoppas, fläktar är i manuellt läge och valda att vara AV.	Välj en annan fläkthastighet (LÅGT / NORMALT / HÖGT) eller AUTO -läge i HMI startläget.
Överhettningstemperatur	Temperatur efter eftervärmaren är högre än max tillåten temperatur. Aktiv: (Överhettningstemperaturgivare mäter > 55°C) Återgången Överhettningstemperaturgivare mäter < 50°C)	Larm är möjligt om tilluftsflöde är för lågt när eftervärmaren slås på. Kontrollera tilluftsflödet Kontrollera att intagsgaller inte är blockerat. Kontrollera att avstängningsspjället för uteluften är öppen i drift. Kontakta din montör eller återförsäljare.
Låg tilluftstemperatur	Tilluftstemperaturen är för låg. Aktiv: (Uteluftstemperaturgivare mäter < 0°C) <b>OCH</b> (tilluftstemperaturgivare mäter < 5°C) Återgången (Tilluftstemperaturgivare mäter > 10°C)	Kontrollera värmeväxlaren och eftervärmare eller hänvisa till punkt 2 i "Felsökning"-menyn.
CO <sub>2</sub>	Extern CO <sub>2</sub> Givarfelfunktion.	Kontrollera att givaren är korrekt ansluten och att kabeln inte skadas. Vid givare trådlös - kontrollera RS485-gateway status och givare status i HMI. Kontakta din montör eller återförsäljare.

Larmnamn	Förklaring	GÖR FÖLJANDE
RH	Felfunktion på extern givare för relativ luftfuktighet.	Kontrollera att givaren är korrekt ansluten och att kabeln inte skadas. Vid givare trådlös - kontrollera RS485-gateway status och givare status i HMI. Kontakta din montör eller återförsäljare.
Utgång i manUEllt läge	En eller flera av analoga utgångar är i manUEllt läge.	Kontrollera servicemenyn för utgångsinställningar och kontrollera att alla konfigurerade utgångar är i automatiskt läge. Om alla utgångar är i manUEllt läge, ändra tillbaka till Auto-läge.

Larm **Brandlarm** kan aktiveras bara med en digital signal från rök-/branddetekteringssystem eller liknande. Digital ingång måste var konfigurerad som **Brandlarm** för att larmen skall fungera.

Digital ingång som är konfigurerad som **Summalarm** skickar en allmän signal varje gång när larm sätts igång. Larmtypen definieras inte av den här signalen.

### 7.7.3 Veckoschema



Enheten kan konfigureras till att fungera vid inställda luftflödesnivåer i upp till två tidsperioder (00:00-23:59) på användarens inställda dagar. Veckoschema är endast aktivt under **AUTOLÄGE**.

#### 7.7.3.1 Schema för luftflödesinställningar

Tryck på ikonen för inställningar för att gå till **SCHEMAMA FÖR LUFTFLÖDESINSTÄLLNINGAR**-menyn. I den här menyn väljer man luftflödesnivåerna för planerade och oplanerade perioder. Tillgängliga nivåer:

Avstängd, Låg, Normal, Hög Och behov.

Ställ in temperaturbövrädesförskjutningen för båda perioderna (-10°C - 0°C).



Behovs-nivån är endast tillgängligt om **Behovsstyrning** eller **extern fläktfunktion** är aktivt.

#### 7.7.3.2 Redigera schema



Tryck på ikon längst ner till vänster på skärmen för att lägga till ett nytt schema eller tryck på knappen **REDIGERA** för att ändra redan tillagt schema.

För att konfigurera ett schema:

1. Ställ in tiden. Tryck på **START**- och **SLUTTID**-värdena för att ändra tiderna. Använd pilknapparna **▲** och **▼** För att öka eller minska värdet. Bekräfta med **OK**- knappen.



#### Obs!

Schemalagda tiden kan börja men aldrig ta slut vid midnatt (00:00). Den senaste **SLUTTIDS**-perioden är 23:59. Schemalagd tidpunkt kan inte gå över till nästa dag. 12 eller 24 timmar tidformat kan ändras i **inställningar** meny.

Om nödvändigt, aktivera en annan schemalagd period och bestäm tid.

2. När tiden är inställd, klicka på den dag(ar) när schemat ska vara aktivt. Det är möjligt att ställa in ett separat schema för varje dag.

Redan schemalagda dagar finns inte tillgängliga att väljas för nya scheman.

3. Bekräfta planering med **OK**- knappen.

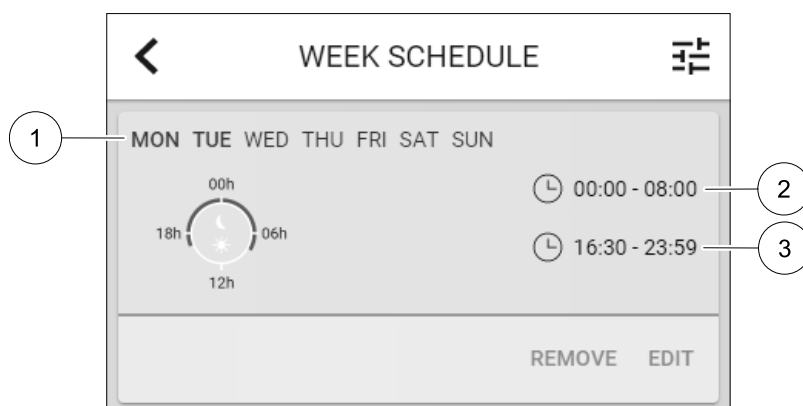


Fig. 6 Veckoprogramsexempel

Schemalagda dagar är markerade (position. 1). Första tidsperioden (position. 2) och den andra tidsperioden (position. 3) Visas till höger om varje schema.

#### 7.7.4 Filter



I den här menyn visas den tid som återstår innan filterbyte krävs. Redigering är låst med ett lösenord. Använd administratörlösenordet. Se Lösenordsinställningar i servicemenyn för mer information.

Ställ in varaktighet på filtret fram tills nästa ändring för en period av 3-15 månader i steg om 1 månad i taget. Standardinställningen är 12 månader.

Om en ny Filterperiod väljs och bekräftas eller att filterlarmet återställs, så återställs timern och börjar räkna från början.

Information om vilken filtertyp som behövs för byte eller var du kan beställa ett nytt filter finns i [Hjälp](#)-menyn.

#### 7.7.5 Systeminställningar



Konfiguration av aggregatets plats, språk och tid.

Ändra följande information:

- Språk (förval är engelska)
- Land (standardland är Storbritannien)
- Enhetens adress (adress, postnummer)
- Enhetens datum och tid, aktivera eller inaktivera sommar-/vintertid.

Tiden ändras automatiskt mellan sommar- och vintertid enligt europeisk standard, baserat på Greenwich-tid och på inställd plats.

Växla mellan 12 och 24 timmars tidsformat.

- Kontaktinformation: entreprenör, installatör, service, telefon, webbplats, e-postadress osv.
- Bildskärmsinställningar: ljusstyrkan på skärmen och skärmens beteende i standby-läge.

#### 7.7.6 Service



Aggregatets alla parametrar och inställningar kan ändras i menyn *Service*. Menyn *Service* är, som standard, låst och det är nödvändigt att ange ett lösenord (standardlösenord är 1111).

##### 7.7.6.1 Ingång



Konfiguration av ingångar

Inställningar för analoga, digitala och universella ingångar på moderkortet och anslutningskortet, konfigurering av funktionalitet.

**Tabell 2 Digitala universella ingångar möjliga för val**

Användarlägen	Aktivering av specifika användarlägen.
Centraldammsugare	Aktivering av Centraldammsugarfunktion.
Spiskåpsfunktion	Aktivering av Spiskåpsfunktion.
Externt stopp	Luftbehandlingsaggregat stoppas genom en extern signal.
Extraregulator larm	Indikation om larm i externa styrenheter Används för Extra Värmare/Kylare/ Förvärmare.
Kombi-batteri återkoppling	Användes med Kombi-batterisystem. Ange om temperaturen av uppvärmning-/ kylvätska i systemet är korrekt.
Brandlarm	Luftbehandlingsaggregat stoppades på grund av brand. Kan användas med röklarm och liknande.

Relativ luftfuktighet och varvtalssignaler från fläktar finns redan föradresserade till särskilda terminaler och kan inte ändras, alla andra ingångar är fria för konfiguration av driftsättning. Ingångar kan användas för alla ändamål.

Digitala ingångar begränsas av signaltyp och fysiskt antal anslutningar. En ingångsfunktion får bara användas en gång.

Universell ingång (UI) konfigurerad som universal analog ingång (UAI) kan konfigureras för flera ingångar, eftersom flera sensorer av samma typ kan användas. Universella analoga ingångar (UAI) har endast val för RH-givare (RH), CO<sub>2</sub>-givare (CO<sub>2</sub> -), Tilluftsfläktreglerare (SAFC) och Frånluftsreglerare (EAFC) kabelanslutna konfigurationer.

Analoga ingångars (AI) temperaturgivare får inte konfigureras mer än en gång.

Redan använda och konfigurerade ingångsignaltyper är grå (nedtonade) och är inte tillgängliga för val. Vissa funktioner relaterade till konfiguration av digital ingång (BORTA, PARTY, ELDSTAD, SEMESTER eller VÄDRA) har flera möjliga aktiveringspunkter, via HMI/APP/trådlöst/Modbus (BMS).

Digitala ingångar kan konfigureras till att vara normalt öppna (normalt öppen (NO) eller brytande (normalt stängd (NC)). Standardinställning är normalt öppen (NO). Inte tillgänglig för trådlösa ingångar.

PDM-ingång (pulsdensitetsmodulering) för relativ fuktighetsgivare (RF) på huvudkortet är föradresserad och kan inte ändras.

**Tabell 3 Översikt över Ingångskonfigurering**

Analoga ingångar	Digitala ingångar	Universella analoga ingångar	Universella digitala ingångar
Ingångstyp Värde Ersättning	Ingångstyp Polaritet: Värde	Ingångstyp Analog typ Värde	Ingångstyp Digital typ Polaritet: Värde

### 7.7.6.2 Utgång



Konfigurering av utgångar.

Inställningar för analoga, digitala och universella utgångar på moderkortet och anslutningskortet, konfigurering av funktionalitet.

**Tabell 4 Analoga utgångar tillgängliga för val.**

Regulatorer för Uppvärmnings-/Kylnings-/Extra regulator	Styrsignal för Uppvärmnings-/Kylnings-/Extra regulator.
Summalarm	Felindikerande utgång.
Utelufts-/avlufstsspjäll	Styrsignal för avstängningsspjäll ute-/avlufst
Återluft	Styrning återluftsspjäll.
Aktivera Kyla	Kylläge aktiveringssignal till ett extern system.



### Analoga utgångar tillgängliga för val. forts.

Förregling extern frånluftsfläkt	Automatisk indikation om förbjuden fläktstyrning (t.ex. om avfrostning är aktiverad).
Cirkulationspump av Uppvärmnings-/Kylnings-/Extra regulator	Start-/Stoppssignal till cirkulationspump av Uppvärmnings-/Kylnings-/Extra regulator.

Fläktutgång pulsbreddsmoduleringsignalen (PWM) och triac-utgången finns redan föradresserade till särskilda terminaler och kan inte ändras, alla övriga utgångar är fria för konfiguration av driftsättning. Utgångar kan användas för alla ändamål.

Digitala utgångar begränsas av signaltyp och fysiskt antal anslutningar.

En utgångsfunktion får bara användas en gång. Redan använda och konfigurerade terminaler är gråa (nedtonade) i meny för utgångstyper.

Analoga och digitala utgångar har ett val mellan lägena `Auto/manuell` och ett justerbart värde för `manuell` läge.

Valen för `manuell` läge överskriver alla systemrelaterade automatiska funktioner. Analogas utgångars manuellt justerbara värden är 0-10 V och digitala utgångars värden är `på/av`.

### Tabell 5 Översikt över utgångskonfiguration

Analoga utgångar	Digitala utgångar
Typ av utgång Auto/manuell Värde	Typ av utgång Auto/manuell Värde

#### 7.7.6.3 Komponenter



Konfiguration av anslutna komponenter.

##### Värmeväxlare

- Välj typ av värmeväxlare.  
Tillgängliga modeller: `Roterande / platt`
- Aktivera eller avaktivera passivhusfunktion om `Roterande` typ av värmeväxlare väljs.  
Alternativ: `Ja / Nej`.
- Välj bypass-spjällets plats om värmeväxlartypen `platt` är vald. Standardinställningarna är baserade aggregatmodell.  
`Tilluft / frånluft`
- Ange typ av ställdon. Standardinställningarna är baserade aggregatmodell.  
Räckvidd: `0-10 V / 2-10 V / 10-0 V / 10-2 V`.

##### Värmare

- Välj typ av värmare. Varje val låser upp ytterligare konfigurationsalternativ. Standardinställningarna är baserade aggregatmodell.  
Tillgängliga modeller: `Ingen / Elektrisk / Vatten / växling`.
- Ange typ av ställdon. Standardvärdet är `0-10 V`.  
Intervall: `0-10 V / 2-10 V / 10-0 V / 10-2 V`.
- Ställ in cirkulationspumpstemperatur. Standardinställningen är `10°C`. Det här alternativet är tillgängligt om `vatten / växlings-värmare` är vald.  
Intervall: `0-20°C`.
- Ställ in cirkulationspumpens stoppfördröjning. Standardinställningen är `5 minuter`. Det här alternativet är tillgängligt om `vatten / växlings-värmare` är vald.  
Intervall: `av / 1-60 min`.

**Kylare**

- Välj Kylartyp. Varje val låser upp ytterligare konfigurationsalternativ. Standardinställningen är Ingen.  
Tillgängliga modeller: Ingen / vatten / kombibatteri.
- Ställ in uteluftstemperaturens förregling. Standardinställningen är 10°C.  
Intervall: 0-20°C.
- Ange typ av ställdon. Standardvärdet är 0-10 V  
Intervall: 0-10 V / 2-10 V/ 10-0 V/ 10-2 V.
- Ställ in cirkulationspumpens stoppfördröjning. Standardinställningen är 5 minuter. Det här alternativet är tillgängligt om vatten / växlings-värmare är vald.  
Intervall: Av / 1-60 min.

**Extraregulator**

- Välj typ av extraregulator. Varje val låser upp ytterligare konfigurationsalternativ. Standardinställningen är Ingen.  
Tillgängliga modeller: Ingen / Förvärmare / Värmare / kylare.
- Ställ in temperaturbörvärde för extraregulatorn. Standardvärdet är 0°C.  
Räckvidd: - 30°C - 40°C.
- Ange P-band. Standardinställningen är 4°C.  
Intervall: 1-60°C.
- Ställ in I-tid. Standardinställningen är Av.  
Intervall: Av / 1-240 sek.
- Ange typ av ställdon. Standardvärdet är 0-10 V.  
Intervall: 0-10 V / 2-10 V/ 10-0 V/ 10-2 V.
- Ställ in cirkulationspumpstemperatur. Standardinställningen är 0°C.är Auto. Det här alternativet finns tillgängligt om Förvärmarens regulatortyp är vald.  
Intervall: 0-20°C.
- Ställ in cirkulationspumpens stoppfördröjning. Standardinställningen är 5 minuter.  
Intervall: Av / 1-60 min.

**7.7.6.4 Regleringstyp**

Konfigurera hur systemet styrs.

**Temperaturstyrning**

- Konfigurera temperaturregulator. Välj styrningsläge:  
Tillgängliga lägen: Temperaturreglering av tilluft / Rumstemperaturreglering / Frånluftsreglering
- Välj temperaturenhet. Standardinställningen är Celsius  
Tillgängliga enheter: Celsius / Fahrenheit
- Ange P-band. Standardinställningen är 20°C. Ställ in I-tid. Standardinställningen är 100 sek.
- Konfigurera SATC-split för värmare (0-20 %), värmeväxlare (25-60 %) och kylare (65-100 %) i utgångsinställningarna. Intervall: 0-100 %
- Konfigurera kaskadregleringens börvärde för min. /max. tilluftstemperatur, P-band, I-tid.  
Endast tillgängligt för lägena reglering av rumstemperatur och Frånluftsreglering.

**ECO-läge**

- Konfigurera ECO-lägesinställningar. Ställ in värmar offset. Standardinställningen är 5°C.  
Intervall: 0-10°C.

**Fläktstyrning**

- Konfigurera luftflöde och fläktinställningar. Välj fläktstyrningstyp (luftflöde). Standardinställning är Manuell (%).  
Tillgängliga modeller: Manuell (%) / Manuellt varvtal / Flöde (CAV) / Tryck (VAV) / Extern

Inställning	Manuell	VARVTAL	Flöde (CAV)	Tryck (VAV)	Extern
Luftflödesmät- tenhet.	%	Varvtal	l/s, m <sup>3</sup> /h, cfm	Pa	%
P-band	-	0-3000 rpm	0-500 Pa Standardinställning: 150 Pa		-
I-tid:	-	Av / 1-240 sek. Standardinställ- ning: 5 s	Av / 1-240 sek. Standardinställning: 5 s		-
Luftflödesnivåin- ställningar för varje nivå: MAXIMAL NIVÅ, HÖG NIVÅ, NORMAL NIVÅ, LÅG NIVÅ, MINIMINIVÅ	16-100%	500-5000 Varvtal	Utbud av givare (Luftflödesenhet)		0-100%
Manuellt Fläktstopp - aktivera eller stäng av fläktstopp denna funktion aktiverar manuellt fläktstopp från HMI. Standardinställning är AV.					
Tryckgivare - konfigurera givares spänning förhållande till tryck. Ställ in värdet vid vilket fläktlarm utlöses. Standardinställ- ningen är Ingen	-	-	Tilluftsfläktregleringsgivare: Tryck vid 0 V: 0-500 Pa, standardinställning 0 Pa tryck vid 10 V: 0-2500 Pa, standardinställningar 500 Pa. Frånluftsfläktregleringsgivare: Tryck vid 0 V: 0-500 Pa, standardinställning 0 Pa. Tryck vid 10 V: 0-2500 Pa, standardinställningar 500 Pa		-
Ställ in K-faktorn för tillufts- och frånluftsfläkt. Standardinställ- ningarna är baserade på aggregattyp.	-	-	SAK K-faktor : 0-1000 EAF K-faktor : 0-1000	-	-
Utetempera- turkompensa- tion	Syftet med denna funktion är att minska ventilationsflödet under perioder då det är kallt ute för att öka tilluftstemperatur och undvika påfrysning av värmeväxlaren. Kompensering kan tillämpas för tilluftsfläkten (obalanserat luftflöde) eller både tilluft och frånluftsfläktar om obalanserat luftflöde inte är tillåten. Funktion minskar fläkthastighet linjärt genom värdet som anges i Max kompensering (räckvidd: -50% till 0%, förvald 0 °C) från den fasta uteluftstemperaturen (0 °C) till temperatur som anges i Stopp kompensering vid utetemperatur (räckvidd: -25 °C till 0 °C, förvald 0 °C). För luftbehandlingsaggregat med plattvärmväxlare rekommenderar man att sätta Max kompensering till -20% och Stopp kompensering vid utetemperatur värde till -5 °C. För luftbehandlingsaggregat med roterande värmväxlare rekommenderar man att sätta Max kompensering till -30% och Stopp kompensering vid utetemperatur värde till -25 °C.				

### Viktigt

Byte av typ av luftflöde ändrar inte P-bandvärdet automatiskt. P-bandvärde måste ändras manuellt efter byte av typ av luftflöde.

### Behovsstyrning

Konfigurera inomhusluftens kvalitetsgivare. När givaren/givarna konfigureras aktiveras Behovsstyrnings-funktionen genom att välja läget AUTO på hemskärmen.

- Aktivera eller avaktivera CO<sub>2</sub> givare Standardinställningen är AV.

Ställ in CO<sub>2</sub> -givarens börvärde. Standardinställningen är 800 ppm (delar per miljon). Normal atmosfäriskt CO<sub>2</sub> Koncentrationen är 400 ppm (delar per miljon) Intervall: 100-2000 ppm. (delar per miljon)

Ställ in P-band, standardinställningen är 200 ppm. (delar per miljon) Intervall: 50-2000 ppm. (delar per miljon)

Ställ in tid, Fabriksinställningen är **AV**. Intervall: **AV**/ 1-120 sekunder.

- Aktivera eller avaktivera RH-givare. Standardinställningen är **AV**.  
Ställ in fuktbövärdet på sommaren, standardinställningen är 60 %. Intervall: 1-100 %  
Ställ in fuktbövärdet på vintern, standardinställningen är 50 %. Intervall: 1-100 %  
Ange P-band, standardinställningen är 10 %. Intervall: 1-100 %  
Ställ in I-tid, standardinställningen är **AV**, Intervall: **AV**/ 1-120 sekunder.
- Välj luftflödesnivå för att förbättra luftkvaliteten. Intervall: **Normal** / **Hög** / **Max**.
- Välj luftflödesnivå för god luftkvalitet. Intervall: **Låg** / **Normal**.

#### Fuktöverföringsreglering



#### Obs!

Inställningen är endast tillgängligt om värmeväxlartypen ställs in som **Roterande**. Vi rekommenderar starkt att lämna standardvärden för P-band och I-tid. De bör endast ändras av installatör eller utbildad personal.

- Aktivera eller avaktivera funktionalitet för relativ fuktöverföring. Standardinställningen är **på**.
- Om **Fuktöverföringsreglering** är aktiverad, konfigurera:  
Bövärd, standardinställningen är 45% luftfuktighet. Intervall: 1- 100% RH.  
Ställ in P-band, standardinställningen är 4 g/kg. Intervall: 1-100 g/kg.  
Ställ in I-tid, fabriksinställningen är **AV**. Intervall: **AV**/ 1-120 sekunder.

#### Avfrostningsreglering



#### Obs!

Inställningen är endast tillgängligt om värmeväxlartypen ställs in som **platt**.

Aggregatet har automatisk avfrostning, som aktiveras vid risk för isbildning i området runt värmeväxlaren.

- Välj avfrostningsläge. Standardinställningen är **Normal**.

Mjuk	Torra områden, som lagerlokaler med få människor eller industribyggnader där vatten inte används i tillverkningsprocessen.
Normal	Lägenheter eller hus med normal luftfuktighet. <sup>1</sup>
Hård	Byggnader med mycket hög luftfuktighetsnivå

<sup>1</sup> I nybyggda hus kan högre avfrostningsnivå krävas under den första vinterperioden.

- Ställ in by-pass-plats. Standardinställningen är baserad på aggregatkonfigurationen.  
**Tilluft / frånluft**
- Ange om sekundärluft är tillåten. Standardinställningen är **AV**.  
**AV / På**.

#### Kylreglering

- Kylåtervinningen aktiveras när uteluften är varmare än frånluften och tilluftens temperatur överstiger dess bövärdstemperatur. Det här tillståndet blockerar värmeregleringsprocessen. Aktivera eller avaktivera kylåtervinning. Standardinställningen är **på**.  
Ställ in Kylgräns: Kylåtervinning är tillåtet om frånluftstemperaturen är lägre än uteluftstemperaturen med en inställd gräns (standardinställningen är 2K) och det finns kylbehov.
- Konfigurationsstatus, temperatur och varaktighet av frikyla. Aktivera eller avaktivera frikyla. Standardinställningen är **AV**.  
Ställ in till- och frånluftfläktsnivåer under frikyla. Standardinställningen är **Normal**. Intervall: **Normal** / **Hög** / **Max**.  
Ställa in startförhållande. Dagstemperatur utomhus för aktivering, standardinställning är 22°C. Intervall: 12-30°C.  
Statiska Stoppvillkor: Frånlufts-/rumstemperatur, standardinställning är 18°C. Övre temperaturgräns utomhus, standardinställning är 23°C. Undre temperaturgräns utomhus är 12°C. Start- och stopptid.

### 7.7.6.4.1 Hitta Varvtal för önskat luftflöde

Det är nödvändigt att ställa in fläktvarvtal (varv per minut) för varje luftflödesnivå för att reglera luftflödet genom att ändra fläkthastigheten. Fläkthastighet kan variera för varje hushåll på grund av aggregatstorlek, kanalsystem och systemtryck. För att hitta lämplig fläkthastighet, måste externa verktyg användas på Systemairs webbplats.

1. Gå till Systemairs webbplats och hitta ditt aggregat.
2. Gå till fliken Diagram och skriv in önskade luftflödesvärden i l/s eller m<sup>3</sup>/h, m<sup>3</sup>/s eller cfm för till- och frånluft. Ingångstryckfall i kanalsystemet (om detta värde är okänt, skriv in 100 Pa för både till- och frånluft)

<b>Air flow</b>	Air flow (Supply)	<input type="text" value="60"/>	<input type="text" value="m³/h"/>
	Air flow (Extract)	<input type="text" value="60"/>	
<b>Pressure drop duct system</b>	External pressure (Supply)	<input type="text" value="100"/>	<input type="text" value="Pa"/>
	External pressure (Extract)	<input type="text" value="100"/>	

Fig. 7 Exempel på luftflöde och externt tryckurval

3. Se beräknade hastighetsvärden i varv per minut (varvtal) för både tilluft och frånluft i tabellen nedan diagram.

Power	14,0	13,3 W
Speed	<input type="text" value="1751"/>	<input type="text" value="1640"/>
SEP (clean filters)	1.67	W/(m³/s)

Fig. 8 Exempelhastighet för till- och frånluft.

4. Använd denna procedur för att hitta fläkthastigheten för alla luftflödesnivåer: MINIMINIVÅ, LÅG, NORMAL NIVÅ, HÖG NIVÅ, MAXIMAL NIVÅ.
5. Slutligen, på manöverpanelen gå till menyn *Service* där du anger ditt lösenord, gå sedan till *Styr och reglering* → *Fläktstyrning*. Välj varvtal som typ av luftflöde och ange i undermenyn *Luftflödesnivåinställningar* de beräknade fläkthastighetsvärdena för varje nivå.

### 7.7.6.5 Användarlägen



Ställ in luftflödesnivå, varaktighet och offset för varje användarläge.

Ställ in till- och frånluftsfältnivåer, standard varaktighet och temperatur-offset som är tillgängliga för användarlägen:

- Bortaläge
- Centraldammsugare
- Spiskåpa
- Party
- Eldstad
- Semester
- Vädra

### 7.7.6.6 Kommunikation



Konfigurera Modbus och trådlösa inställningar

#### Modbus

- Ställ in MODBUS-adress: Standardinställning är 1.
- Ställ in uppdateringshastighet. Standardinställning är 115200.
- Ställ in paritet. Standardinställningen är Ingen. Intervall: Ingen / Jämn / Udda.
- Ställ in stoppbitar. Standardinställning är 1.
- Visar Smartly-Gateway-tillstånd.

**HMI Adress**

- När mer än en manöverpanel är ansluten till luftbehandlingsaggregatet är det viktigt att varje manöverpanel har olika adress nummer. Menyn visar aktuell HMI adress.

För mer information se 11.5.2 *Flera manöverpaneler*, sida 107.

**WLAN inställningar**

WLAN inställningar är avsedda för anslutning av Internetåtkomstmodul (IAM) tillbehör.

Internetåtkomstmodulen (IAM) är en anordning som gör det möjligt att ansluta till luftbehandlingsaggregatet och styra det via en mobil applikation eller direkt från dator.

- Visar aktuell anslutningsstatus.
- Visar nätverksnamn till vilket internetåtkomstmodulen är ansluten.
- *Skanna efter nätverk* – använd denna sökfunktionen för att hitta ditt lokala skyddade nätverk. Detaljerad procedur anges nedan.

**IAM anslutning till trådlöst nätverk.**

1. Om din trådlösa router inte stöder WPS-funktionen, bör WiFi-anslutningen ställas in manuellt. Därför behöver du hitta WiFi-namn och lägga till lösenord med manöverpanel.
  2. I manöverpanelen gå till *Service -> Kommunikation -> WLAN-inställningsmenyn*.
  3. Tryck *Skanna efter nätverk* knapp. IAM kommer att leta efter möjliga WiFi-nätverk (det borde inte ta längre än en minut).
  4. När sökningen är klar hittar du det nätverksnamn som IAM ska anslutas till och markerar det. WiFi-nätverk borde vara lösenordskyddat, annars kan IAM inte ansluta till WiFi-nätverk.
  5. Efter det nödvändiga WiFi-namnvalet, kommer ett lösenord visas på skärmen i manöverpanelen. Skriv in ditt WiFi-nätverks lösenord.
  6. Om lösenordet är rätt och anslutning till WiFi-nätverk lyckas, ansluter IAM automatiskt till servern. Den gröna lysdioden på IAM kommer att börja blinka långsamt.
- Återställ WLAN inställningar när det behövs.

**7.7.6.7 Loggar**

Information om larm, fläktar och parametrar lagras i *loggar*-menyn.

**Fläktnivåer**

- Tidräknare för varje tilluftsfläktnivås varaktighet visas. Räknad och total tid. Återställ räknad tiden.

Nivå 1: 0 %



Nivå 2: 1–29 %

Nivå 3: 30–44 %

Nivå 4: 45–59 %

Nivå 5: 60–100 %

**Parametrar**

- Välj parametertyp, position i y-axis, period från 60 minuter till 2 veckor och skapa då en graf baserad på lagrade data genom att trycka på symbol på det övre högre hörn. . Exportera parameterdata genom att trycka pilknappen . (Endast tillgängligt i mobil applikation)

**7.7.6.8 Spara och återställ**

Meny för att återställa till fabriksinställningar eller import/export av konfigurationsfil från/till internetåtkomstmodulen (IAM).

- Tryck på *Fabriksinställningar* för att återställa fabriksinställningarna och parametrar. Detta kommer också överskriva ändrat lösenord. Du kommer att behöva att bekräfta uppgiften innan du fortsätter.
- Klicka på *Spara aktuell konfiguration till IAM* option för att spara din aktuella fil för systemkonfiguration till den anslutna internetåtkomstmodulen.(IAM)

- Klicka på Ladda ner den aktuella konfigurationen från IAM till den nedladdade konfigurationsfilen från den anslutna internetåtkomstmodulen (IAM).

### 7.7.6.9 Lösenordsinställningar

Servicenivån är alltid låst med ett lösenord. Andra menynivåer har ett separat tillval för låsning. Om lösenordskrav är aktiverat för olika menynivåer låses dessa upp med administratörlösenordet.

Välj vilka menyer som ska vara låsta.

### 7.7.7 Hjälp



FRÅGOR OCH SVAR, felsökning av larm och kontaktinformation för support tillhandahålls i denna meny.

- Servicepartner - information om servicepartner.
  - Företag
  - Telefon
  - Hemsida
  - E-post
- Användarlägen- en detaljerad beskrivning av alla användarlägen.
- Funktioner- en detaljerad beskrivning av de olika funktionerna.
- Larm- en detaljerad beskrivning av alla larm.
- Felsökning- information om alla möjliga funktionsfel.

## 8 Elanslutning

SAVE VTR 150/K levereras med all invändig kabeldragning färdig.

Kopplingsboxen sitter på samma sida som aggregatets avluftsutlopp. Kretskortet kan lätt tas ut ur aggregatet, utan verktyg.

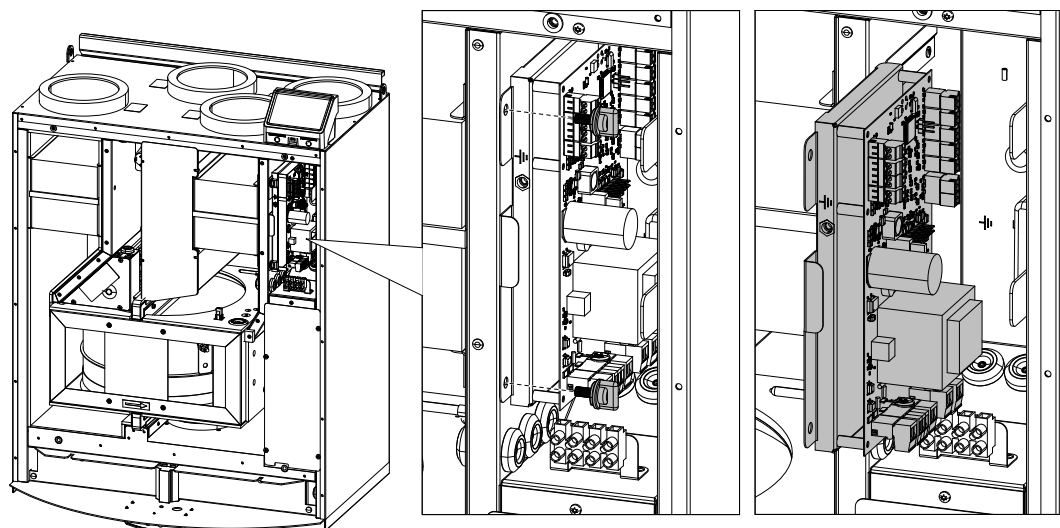


Fig. 9 Position av huvudkretskortet

### 8.1 Huvudkortets planritning

SAVE VTR 150/K har inbyggd styrning och invändiga kablar.

Figuren visar huvudkretskortet. Närmare uppgifter finns i elschemat.

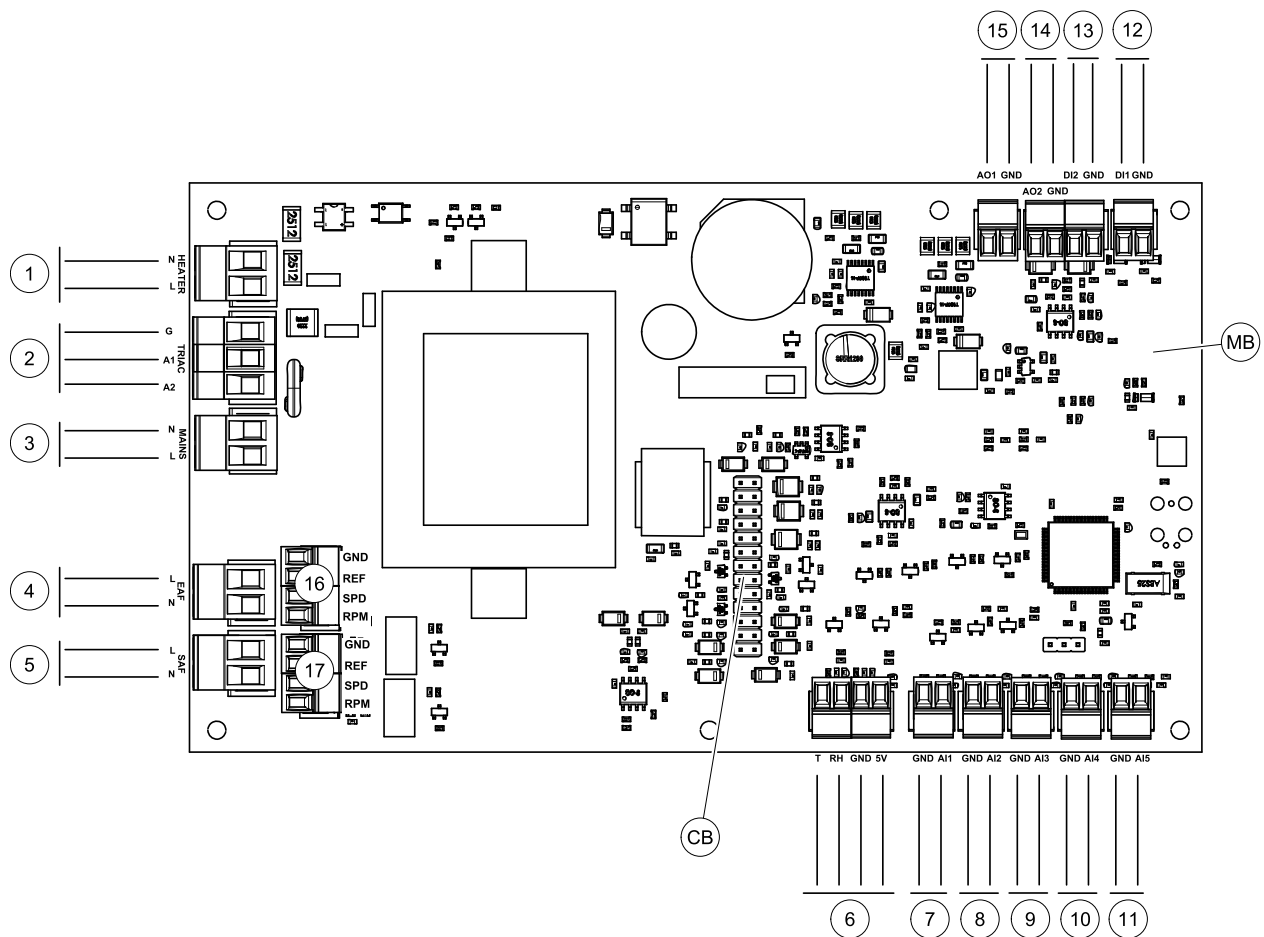


Fig. 10 Huvudkretskortet anslutningar

Pos.	Beskrivning
MB	Huvudkretskort
CB	Anslutning till extern kopplingsbox
1	Plintar för värmare
2	Plintar för en TRIAC
3	Plintar för nätanslutning
4	Plintar för strömförsörjning av frånluftsfläkt
5	Plintar för strömförsörjning av tilluftsfläkt
6	Plintar för intern relativ fuktighet/ temperaturgivare
7	Analog ingång 1 - Uteluftsgivare
8	Analog ingång 2 - Tilluftsgivare
9	Analog ingång 3 - fritt konfigurerbar
10	Analog ingång 4 - fritt konfigurerbar/överhettningstemperaturgivare (för aggregat med värmare)
11	Analog ingång 5 - fritt konfigurerbar
12	Digital ingång 1 - Rotationsvakt (givare (VSR-, VT- aggregat)/Dämparsignal (VTC-aggregat)
13	Digital ingång 2 - fritt konfigurerbar/fläktkåpa (VTR 150/K-aggregat)
14	Analog utgång 2 - fritt konfigurerbar/elvärmaregulator (VTC 700-aggregat)
15	Analog utgång 1 - Rotor för värmeväxlare (VSR, VTR-aggregat)/Spjällreglering (VTC-aggregat)



Pos.	Beskrivning
16	Plintar för varvtalsreglering av frånluftsfläkt
17	Plintar för varvtalsreglering av tilluftsfläkt

## 8.2 Externa anslutningar (anslutningskort)

Externa anslutningar till huvudkretskortet görs via anslutningskortet som är placerat på utsidan av aggregatet.

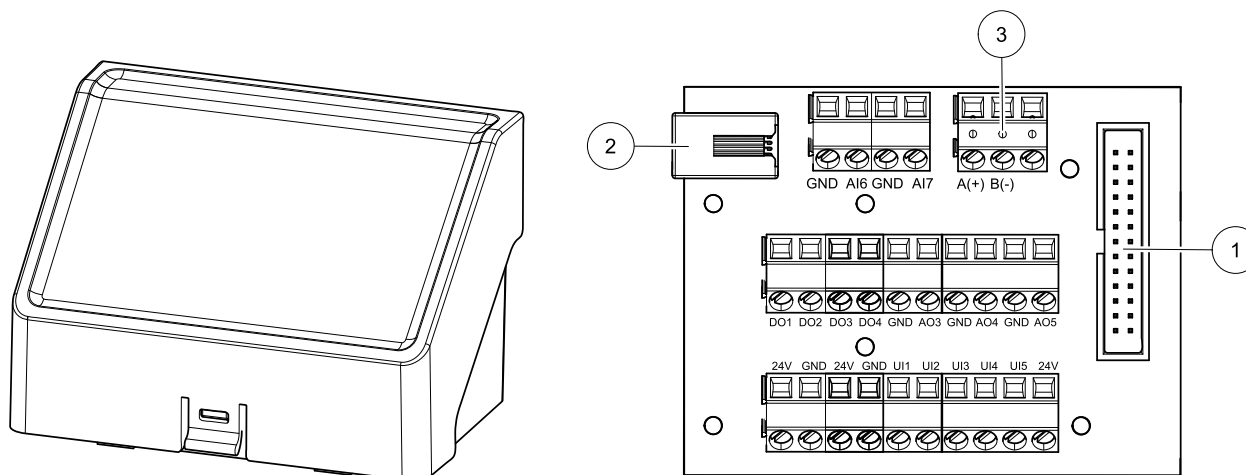


Fig. 11 Extern kopplingsdosa och kort

Pos.	Beskrivning
1	Anslutning till huvudkretskortet
2	Anslutning för extern manöverpanel (HMI) eller internetåtkomstmodul (IAM)
3	Modbus RS485-anslutning
AI6-7	Fritt konfigurerbar analog ingång. Ingen/Val av typ av ingång i HMI.
DO1-4	Fritt konfigurerbar digital utgång. Ingen/Val av typ av utgång i HMI.
AO3-5	Fritt konfigurerbar analog utgång. Ingen/Val av typ av utgång i HMI. Ställdon typ 0- 10V, 10-0 V, 2-10V, 10-2V.
UI1-5	Fritt konfigurerbar universell ingång. Kan konfigureras för att fungera som analog ingång (0- 10V) eller som digital ingång (24 V). Ingen/Val av typ av ingång i HMI (NC- eller NO-polaritet).
24V	Maximal ström 200mA vid 24 V DC + -10 %.

## 9 Innan systemet startas

När installationen är klar bör följande kontrolleras:

- att aggregatet har installerats enligt med anvisningarna
- Att alla kablar har dragits korrekt
- att alla ute- och avluftsspjäll samt ljuddämpare är installerade och att kanalsystemet är korrekt anslutet till aggregatet
- att alla kanaler är tillräckligt isolerade och har installerats enligt gällande krav och föreskrifter
- Att intaget för utomhusluft är placerat med tillräckligt avstånd till föroreningskällor (utblås från köksfläkt, centraldammsugare eller liknande)
- Att all extern utrustning är ansluten
- att aggregatet är korrekt konfigurerat och driftsatt
- Att inställningarna för veckoprogram och luftflöde är korrekt gjorda.

## 10 Service

### 10.1 Varning



#### Fara

- Säkerställ att spänningsmatningen är bruten före underhållsarbete och elarbete.
- Arbeta med elektriska anslutningar och underhåll får endast utföras av behörig personal och i enlighet med gällande krav och föreskrifter.



#### Varning

- Denna produkt får endast användas av en person som har lämplig kunskap eller utbildning inom detta område eller står under överinseende av en person med lämpliga kvalifikationer.
- Se upp för vassa kanter vid installation och underhåll. Använd skyddshandskar.



#### Varning

- Det dröjer något innan alla rörliga delar stannat helt efter att aggregatet kopplats bort från elnätet – risk för personskada.

#### Viktigt

- Aggregatet och hela ventilationssystemet ska installeras av behörig personal och i enlighet med gällande krav och föreskrifter.
- Systemet bör ständigt vara i gång och får bara stoppas vid underhåll/service.
- Anslut inte torktumlare till ventilationssystemet.
- Kanalanslutningar/kanaländar ska vara täckta vid förvaring och installation.
- Kontrollera att alla filter är monterade innan du startar aggregatet.

### 10.2 Internal components

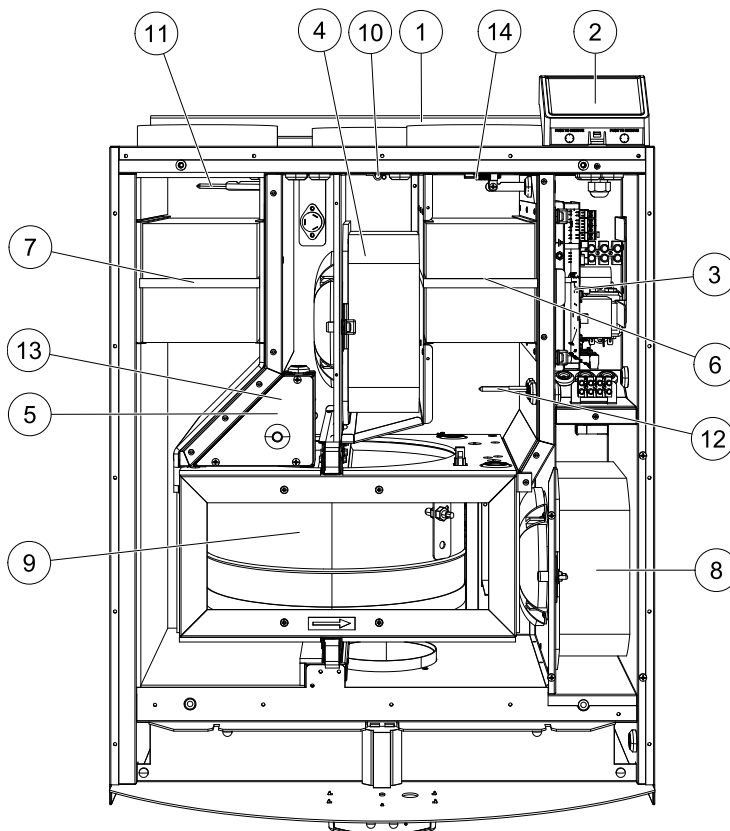


Fig. 12 Internal components

Position	Beskrivning
1	Fäste
2	Externa anslutningar
3	Huvudkretskort
4	Tilluftsfläkt
5	Intern elvärmare (500/1000 W)
6	Frånluftsfilter
7	Tilluftsfilter
8	Frånluftsfläkt
9	Roterande värmväxlare
10	Tilluftsgivare
11	Uteluftsgivare
12	Frånluftsgivare
13	Givare för överhettningsskydd
14	Relativ fuktighet/Frånluftstemperatursgivare

## 10.3 Komponentbeskrivningar

### 10.3.1 Fläktar

Fläktarna haren ytterrotormotor av EC-typ, som individuellt kan regleras steglöst (16–100 %). Motorlagren är permanentmorda och underhållsfria. Det går att ta bort fläktarna för rengöring. Mer information finns i Användarhandboken.

### 10.3.2 Filter

De fabriksmonterade filtren är av filterkvalitet M5/ePM10 60 % för tilluftsfilteret och M5/ePM10 60 % för frånluftsfilteret. Filtren måste bytas ut när de blivit smutsiga. Nya filtersatser kan beställas från montören eller lämplig återförsäljare.

Filter av kvalitet F7/ePM1 55 % kan användas för tilluftsfiltrering. Filtertypen är utmärkt upptill på filteret.

### 10.3.3 Värmväxlare

SAVE VTR 150/K är utrustad med en högeffektiv roterande värmväxlare. Det innebär att den önskade tilluftstemperaturen vanligtvis kan upprätthållas utan att extra värme behöver tillföras.

Det går att ta bort värmväxlaren för rengöring och underhåll. Mer information finns i Användarhandboken.

### 10.3.4 Huvudkretskort

Huvudkretskortet styr alla funktioner och aggregatet.

Det går att ansluta externa tillbehör till de fria terminalerna på huvudkretskortet.

### 10.3.5 Kopplingsdosa

En anslutningsdosa placeras utanför aggregatet. Den innehåller anslutningskort. Alla externa tillbehör kan anslutas till aggregatet via anslutningskort med fritt konfigurerbara terminaler.

### 10.3.6 Temperaturgivare

Aggregatet levereras med fyra temperaturgivare (NTC, 10 kΩ vid 25 °C) som är placerade inuti motsvarande luftkammare.

Givarna är anslutna till huvudkretskortet. Närmare uppgifter finns i elschemat.

### 10.3.7 Fuktighetsgivare

Givare för relativ luftfuktighet (RHS//EAT) ingår i luftbehandlingsaggregatet från fabriken och är placerad i frånluftskammaren.

Givaren mäter också frånluftstemperatur.

Givaren är ansluten till huvudkretskortet. Närmare uppgifter finns i elschemat.

### 10.3.8 Elektriskt eftervärmningsbatteri

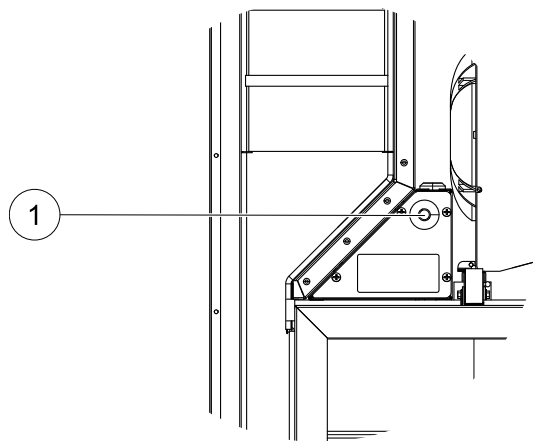
Eftervärmningsbatteriet sitter i tilluftskammaren.

Eftervärmningsbatteriet aktiveras med ett relä och slås till om tilluftstemperaturen ligger under börvärdet. Det slås från om ett eller flera av villkoren nedan är uppfyllda.

1. Om tilluftstemperaturen ligger över börvärdet.
2. Överhettningsskyddet har löst ut eller givaren fungerar inte korrekt.
3. Katastroftermostaten har löst ut eller är trasig.
4. Tilluftsgivaren är i feltillstånd.
5. Tilluftsfälkten är inte i gång.
6. Värmaren har avaktiverats i menyn.

### 10.3.9 Återställningsknapp för överhettningsskydd

Låg tilluftstemperatur kan vara ett tecken på att överhettningsskyddet har löst ut. Överhettningsskyddet kan återställas genom att trycka på återställningsknappen.



## 10.4 Byte av rotordrivrem

Om larmet **ROTOR** utlöses (se kapitel 7.7.2.3) kan rotordrivremmen ha skadats eller gått av.

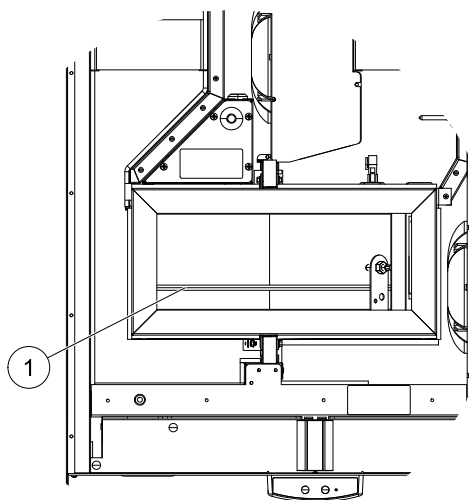


Fig. 13 Rotordrivrem

Ersättningsdrivremmen (1) är justerbar och levereras med en nippel fäst i ena änden.

1. Stoppa aggregatet genom att bryta strömförsörjningen.
2. Öppna och ta bort sidopanelen.
3. Ta bort den trasiga drivremmen.
4. Fäst drivremmen på den roterande värmväxlaren med tejp och dra runt värmväxlaren för hand för att få grepp om remmen.
5. Ta bort tejpen och sätt den "tomma" änden på nippeln. Tryck ändarna stadigt mot varandra och dra åt nippeln.
6. Dra på drivremmen över remskivan och dra runt värmväxlaren för hand. Kontrollera att remskivan går runt.



### Obs!

Om drivremmen slirar är den för lång och behöver kortas. Skär bort 5 mm av drivremmen och gå till steg 5.

7. Sätt tillbaka och lås sidopanelen och anslut aggregatet till elnätet.
8. Kontrollera att larmet har upphört på manöverdisplayen.



### Obs!

Kontrollera rotorgivaren om larmet kvarstår.

## 10.5 Felsökning

Om det uppstår problem bör du alltid kontrollera nedanstående innan du kontaktar en servicetekniker.

Problem	Åtgärd
Fläktarna startar inte.	<ol style="list-style-type: none"> <li>1. Kontrollera HMI för larm.</li> <li>2. Kontrollera att alla säkringar och snabbkopplingar är anslutna (matningen för huvudströmmen och snabbkopplingarna för till- och frånluftsfläktarna).</li> <li>3. Kontrollera att veckoprogrammet är PÅ och körs i AUTOMATISKT läge. Veckoprogrammet kan vara i AV läge med luftflödet satt till AV (kapitel 7.7.3).</li> </ol>
Minskat luftflöde.	<ol style="list-style-type: none"> <li>1. Kontrollera HMI för larm. Vissa larm kan minska luftflödet till LÅG om de är aktiva.</li> <li>2. Aggregatet kan vara i avfrostningsläge. Det här minskar fläkthastigheten, och i vissa fall kan det stänga av tilluftsfläkten helt under avfrostningscykeln. Fläktarna återgår till normaldrift när avfrostningen är klar. Det bör finnas en avfrostningsfunktionensikon synlig i appen eller på HMI-hemsidan när avfrostningen är aktiv.</li> <li>3. Om utomhustemperaturen är under 0°C (Uteluftstempgivare (OAT) mäter &lt; 0°C) så kan luftflödeskompenseringsfunktionen aktiveras (om den är aktiverad att välja). Fläkthastigheten (tillufts- eller tilluft-/frånluftsfläktar) minskar linjärt för att sänka flödet av kall uteluft vid sjunkande utetemperatur.</li> <li>4. Kontrollera så att tillfälligt användarläge som minskar luftflöde inte är aktiverat, vid till exempel BORTA, SEMESTER, osv. Kontrollera även digitala ingångar CENTRALDAMMSUGARE och spiskåpa.</li> <li>5. Kontrollera luftflödesinställningen i HMI.</li> <li>6. Kontrollera veckoprogrammesinställningar (kapitel 7.7.3).</li> <li>7. Kontrollera filtren. Behöver filtren bytas ut?</li> <li>8. Kontrollera don/ventilgaller. Behöver dona/ventilgallrena rengöras?</li> <li>9. Kontrollera fläktarna och värmväxlarblocket. Behövs rengöring?</li> <li>10. Kontrollera om byggnadens luftintag på uteluftsiden eller luftutblås på avluftsiden är igensatta.</li> <li>11. Kontrollera om de synliga ventilationskanalerna är skadade och om det finns ansamlingar av damm eller smuts i dem.</li> <li>12. Kontrollera öppningar i don/galler.</li> </ol>

Problem	Åtgärd
Det går inte att styra aggregatet (styrfunktionerna har hakat upp sig).	<ol style="list-style-type: none"> <li>1. Återställ styrfunktionerna genom att bryta strömförsörjningen och vänta i 10–30 sekunder.</li> <li>2. Kontrollera den modulära kontaktanslutningen mellan manöverpanelen och huvudstyrkortet.</li> </ol>
Låg tilluftstemperatur	<ol style="list-style-type: none"> <li>1. Kontrollera om det visas några larm på displayen.</li> <li>2. Kontrollera de aktiva användarfunktionerna på HMI-skärmen för att se om Avfrostningsfunktionen är igång.</li> <li>3. Kontrollera vad tilluftstemperaturen är satt till i HMI.</li> <li>4. Kontrollera om ECO-läget är aktiverat i HMI (det är en energibesparande funktion och hindrar värmaren från att aktivera).</li> <li>5. Kontrollera om användarlägena SEMESTER, BORTA eller PARTY aktiveras i HMI eller via en fast ansluten koppling.</li> <li>6. Kontrollera de analoga ingångarna i servicemenyn för att verifiera att temperaturgivarna fungerar som de ska.</li> <li>7. Om elektriskt eller annat eftervärmningsbatteri är installerat: kontrollera att överhettningsskyddets termostat fortfarande är aktiv. Återställ den, vid behov, genom att trycka på den röda knappen på framsidan av den elektriska eftervärmarens plåt.</li> <li>8. Kontrollera om frånluftsfiltret måste bytas.</li> <li>9. Kontrollera om ett eftervärmningsbatteri är anslutet till aggregatet. Om det är mycket kallt ute kan det vara nödvändigt att ha ett elektriskt- eller vattenvärmebatteri. Ett eftervärmningsbatteri kan införskaffas som tillbehör.</li> </ol>
Oljud/vibrationer	<ol style="list-style-type: none"> <li>1. Rengör fläkthjulen.</li> <li>2. Kontrollera att skruvarna som håller fast fläktarna är ordentligt åtdragna.</li> <li>3. Kontrollera att de vibrationsdämpande listerna sitter fast på monteringsfästet och på enhetens baksida.</li> <li>4. Kontrollera att rotorremmen inte slirar om aggregatet har roterande värmeväxlare.</li> </ol>

## 11 Tillbehör

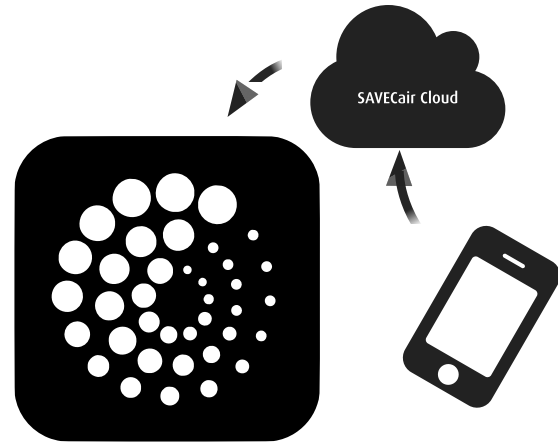
SAVE VTR 150/K Har många tillgängliga tillbehör som kan användas för att utöka enhetens funktion och öka komfortnivån.

Rekommenderade tillbehör kan alltid hittas på Systemairs webbplats [www.systemair.com](http://www.systemair.com) Genom att söka på artikelnummer eller på namnet av önskat tillbehör.

### 11.1 Internetåtkomstmodul (IAM)

Internetåtkomstmodulen är en anordning som gör det möjligt att ansluta till enheten och styra den via en mobil applikation eller direkt från datorn och få automatiska uppdateringar.

Molnet är en medlare mellan användaren och enheten. För att få tillgång till din enhet via molnet, måste den vara ansluten till internet via Internetåtkomstmodulen.



#### Komponent/produkt - artikelnummer:

- Internetåtkomstmodul (IAM) - 211243

### 11.1.1 Installation av fjärrkontroll för luftbehandlingsaggregatet

**A** Connect the remote control to the air handling unit using the provided cable.

**B** Plug the power adapter into the remote control and connect it to a power outlet.

**C1** Press the WPS button on the remote control and the WPS button on the router for 5 seconds.

**C2** Connect the remote control to the router via Ethernet.

**C3** Mobile app screenshots showing: 1. WLAN Settings (Scan for networks), 2. Scanning progress (~30 s), 3. Scanning results (Your\_wifi\_name), 4. Password entry screen.

**D1** Download the Systemair Home Solutions app from Google Play or the App Store.

**D2** Visit the website <https://homesolutions.systemair.com> on a computer.

**E** Software configuration steps:
 

- Systemair unit information: MAC ETH: 00:00:00:00:00:00, MAC WIFI: 00:00:00:00:00:00, INTERFACE PW: xxxxxxxx, Internet Access Module (IAM) A/N: XXXXXX, P/N: YYYYYY, Unit ID: IAM\_248XXXXF80.
- App screen: IAM id iam\_248XXXXF80.
- App screen: LOG IN button.
- App screen: CHANGE PASSWORD button.
- App screen: Password input field.
- App screen: Confirm password input field.
- App screen: SET PASSWORD button.
- App screen: Password change requested - confirm with button on machine.
- App screen: SET PASSWORD button.
- App screen: BACK button.
- App screen: Password changed confirmation.

Fig. 14





## Obs!

Internetåtkomstmodulen använder TCP port 8989. Kontrollera att den inte är blockerad.

### Beskrivning

A. Anslut Internetåtkomstmodul (IAM) till anslutningskortet (CB) med hjälp av den bipackade RJ10 kabeln.

B. Näranslut IAM med den medföljande strömförsörjningskabeln och adapter.

C. Aktiverar tillgång till nätet. Tre val är möjliga:

- C1 – Aktivera WPS funktion på din router (om möjligt) och tryck knappen på Internetåtkomstmodulen i 5 sekunder.
- C2 – Anslut ena änden av Ethernet-kabel till RJ45-uttaget på IAM och den andra änden till något av de lediga Ethernet-uttagen på din router. Anslutning kommer att ske automatiskt.
- C3 – Inrätta anslutning till din Wi-Fi genom Kommunikation meny i manöverpanel.

D. Ladda ner Systemair mobilapplikation. Två val är möjliga:

- D1 – Ladda ner och installera Systemair mobilapplikation på din enhet. Systemair mobilapplikation finns tillgänglig för både Android och iOS operativsystem.
- D2 – Systemair webbapplikation kräver inte installation och kan nås direkt via webbplatsen ([homesolutions.systemair.com](http://homesolutions.systemair.com)) genom valfri webbläsare.

E. Starta programmet. På inloggningssida anges ditt unika ID-nummer som finns på etiketten på baksidan av din IAM eller på en bifogad etikett.

Tryck på knappen LOGGA IN.

Det krävs att man skapar ett unikt lösenord när man ansluter sig till IAM för första gången. Tryck på ÄNDRA LÖSEWORD knapp. Ange sedan ditt nya lösenordet, bekräfta det och tryck på SPARA LÖSEWORD knapp. För att slutföra tryck på knappen på din IAM. Vänta tills meddelande som säger att lösenordet är ändrat dyker upp i ditt app.

Tryck TILLBAKA knapp för att gå tillbaka till föregående skärm. Skriv in det nya lösenordet och tryck på LOGGA IN knapp.

Mer information finns i handboken som medföljer tillbehöret.

### Tabell 6 Lysdiod indikeringslampans koder

WLAN	Ethernet	Cloud	RÖD LED	GRÖN LED
Ansluten	–	Inte ansluten	Blinkar snabbt	–
Nedkopplad	–	Nedkopplad	Blinkar långsamt	–
Ansluten	–	Ansluten	–	Blinkar långsamt
–	Ansluten	Inte ansluten	–	Blinkar snabbt
–	Nedkopplad	Nedkopplad	–	Blinkar snabbt
–	Ansluten	Ansluten	–	Blinkar långsamt

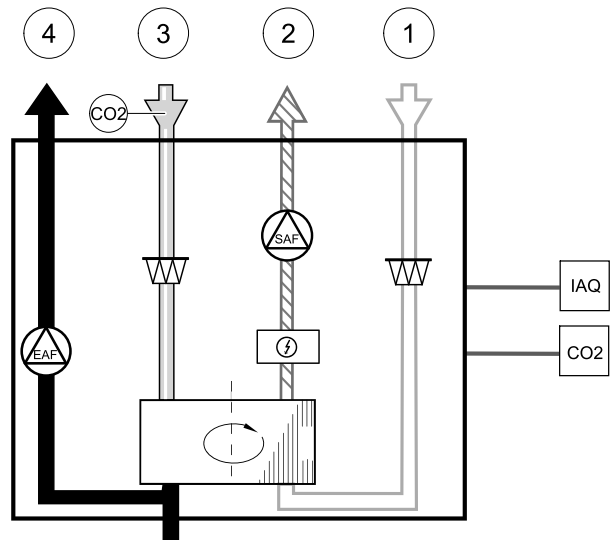
Snabbt blinkning – varje 500 millisekunder. Långsamt blinkning – varje 2 sekunder.

## 11.2 Inomhusluftens kvalitetsgivare



Inomhusluftens kvalitetsgivare är (IAQ) och CO<sub>2</sub>, Relativ luftfuktighets- och temperaturöverförare som måste installeras antingen i frånluftskanalen eller rummet beroende på vilken typ av sändare det är.

- IAQ - inomhus luftkvalitetsgivare (CO<sub>2</sub>, RH och temperatur)
- CO<sub>2</sub> - CO<sub>2</sub> Kanalgivare
- 1 - Uteluft
- 2 - Tilluft
- 3 - Frånluft
- 4 - Avluft



#### Komponent/produkt - artikelnummer:

- Systemair-1-CO<sub>2</sub>-kanalgivare - 14906
- Systemair-E CO<sub>2</sub>-givare - 14904
- Rumsgivare 0-50 C (temperatur) - 211525
- Systemair-E CO<sub>2</sub>-RH-temperatur - 211522

#### Installation och anslutning

1. Installera IAQ-givare i antingen kanalen eller rummet beroende på överföringstypen.
2. Anslut CO<sub>2</sub> Givare till alla lediga universella analoga ingångar (UI) på anslutningskortet.
3. Om IAQ-givaren innehåller relativ luftfuktighetsöverförare:  
Anslut den till valfri ledig universell analog ingång (UI) på anslutningskortet.
4. Om IAQ-givaren innehåller rumstemperaturtransmitter:  
Anslut den till valfri ledig analog ingång (AI) på anslutningsplattan (endast AI6 och AI7 finns tillgängliga på anslutningskortet).

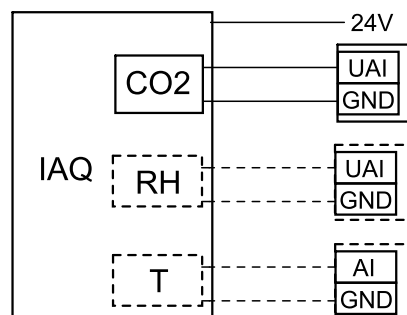


Fig. 15 IAQ-anslutningar

#### Konfiguration

1. Gå till *servicemenyn*.
2. Ange lösenord (standard 1111).
3. Konfiguration av CO<sub>2</sub> och/eller givare för relativ luftfuktighet: Gå till *ingångsmenyn*. Välj fliken *UNIVERSELL*. Välj universell ingång som givaren är ansluten till. Exempelvis, om den ansluten till UI4 på anslutningskortet, ska du där efter välja *UNIVERSELL INGÅNG 4*. Välj signaltyp som *Analog ingång* och välj givartyp från lista av ingångstyp: *RH-givare (RH)* och/eller *CO<sub>2</sub>-givare (CO<sub>2</sub>-)*.
4. Konfigurera rumstemperaturgivare: Gå till *ingångsmenyn*. Välj fliken *ANALOG*. Välj den analoga ingången som givaren är ansluten till. Exempelvis, om den är ansluten till AI6 på anslutningskortet, så väljer du därefter *ANALOG INGÅNG 6*. Välj ingångstyp till *rumsluftstemp.givare (RAT)*.

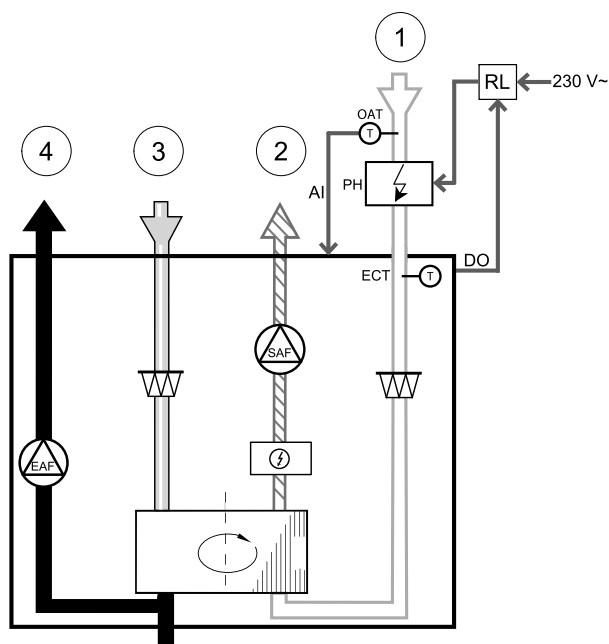
## 11.3 Temperaturreglering

### 11.3.1 Kanalmonterad förvärmare, EL



Elektrisk förvärmare kan installeras i uteluftskanalen för förvärmning av uteluften innan den når aggregatet och på så sätt förhindras isbildning i värmeväxlaren.

- PH - elektrisk förvärmare
- ECT - extra kontroll för temperaturgivare
- OAT - temperaturgivare för uteluftskanal
- RL – relä
- 1 - Uteluft
- 2 - Tilluft
- 3 - Frånluft
- 4 - Avluft



#### Komponent/produkt - artikelnummer:

- CB 125-0,6 230V/1 kanalvärmare – 5289
- CB Förmärmares anslutningsats – 142852

#### Installation och anslutning

1. Installera elektrisk förvärmare (ELH) med minst 100 mm avstånd från luftbehandlingsaggregatet i uteluftskanalen. Relä (RL) används för att reglera förvärmaren. Anslut relä till valfri ledig digital utgång på anslutningskortet (CB).
2. Anslut förvärmare (ELH) och strömförsörjning till relä (RL). Brytare (BRK) finns inte med i förpackningen och måste beställas separat. Denna måste installeras.
3. Installera en kanaltemperaturgivare (OAT) innan elektriska förvärmaren på enhetens utsida och ansluta den till vilken som helst ledig Analog ingång på anslutningskortet (CB).

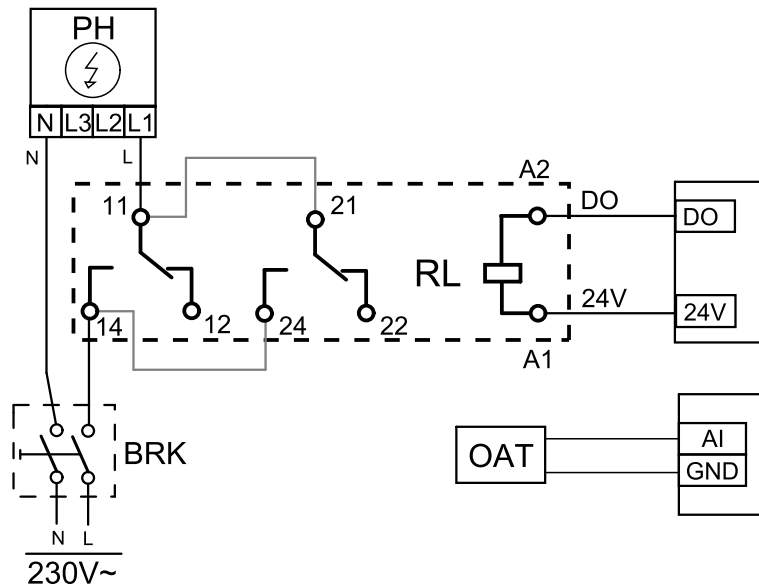


Fig. 16 Förvärmareanslutningar

### Konfiguration

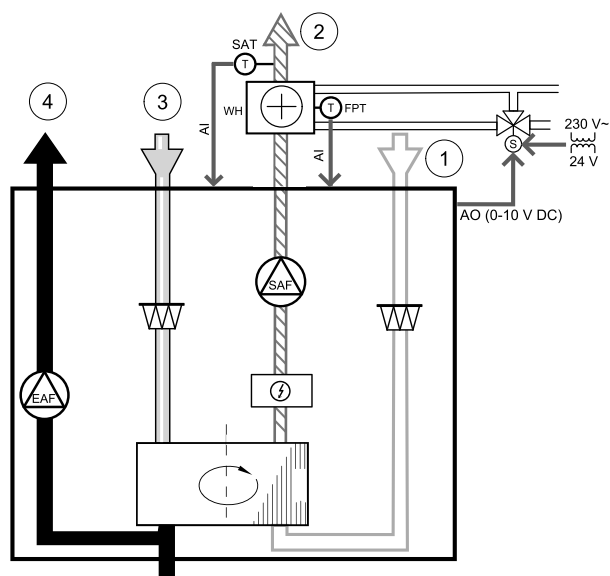
1. Gå till *servicemenyn*.
2. Ange lösenord (standard 1111)
3. Gå till *menyn komponenter*, välj *menyn Extra kontroll* och välj *Extra regulator* inställning som *Förvärmare*. Förvärmarens börvärde kan ställas in i samma meny. Ställ in andra avancerade inställningar om det behövs. Läs "Installation och service" handbok för mer information.
4. Konfigurera anslutning av förvärmning. Gå till *servicemenyn*. Välj *menyn utgångar*. I nästa meny välj *DIGITALA utgångar*. Välj den digitala utgång som förvärmaren är ansluten till. Exempelvis, om den ansluts till DO3 på anslutningskortet, så väljer du sedan *DIGITAL UTGÅNG 3* och välj *Stegkopplare Y4 extra regulator* från listan.
5. Konfigurera intern utetemperaturgivare som extra regulator temperaturgivare. Gå till *servicemenyn*. Välj *ingångsmenyn*. Välj *ANALOG*. Välj *ANALOG INGÅNG 1* och ändra dess inställningar från *Uteluftstemperaturgivare (OAT)* till *Extra regulator temperaturgivare (ECT)*.
6. När givares konfiguration är ändrad, välj den *Analog ingång*, som den nyligen installerade kanaltemperaturgivaren (OAT) är ansluten till, och konfigurera den som *Uteluftstemperaturgivare (OAT)*.

### 11.3.2 Kanalmonterad eftervärmare, vatten



En kanalmonterad eftervärmare för värmevatten kan installeras i tilluftskanalen.

- WH- Eftervärmare, vatten
- FPT- Givare för frysskydd
- SAT- Temperaturgivare för tilluft
- S - ställdon för ventil
- 1 - Uteluft
- 2 - Tilluft
- 3 - Frånluft
- 4 - Avluft



#### Komponent/produkt - artikelnummer:

- VBC 125-2 Water heating battery (2 rows) – 5457
- VBC 125-3 Water heating battery (3 rows) – 9839
- RVAZ4 24A ställdon 0-10V (S) – 9862
- ZTV 15-0,4 2-vägventil – 9829
- ZTV 15-0,6 2-vägventil – 6571
- ZTR 15-0,4-ventil 3-vägs – 9670
- ZTR 15-0,6-ventil 3-vägs – 6573
- Kanalgivare -30-70C (SAT) - 211524
- Anligningsgivare -30-150C (FPT) - 211523

#### Installation och anslutning

1. Installera kombibatteriet i kanalen. Anslut rör, 2/3-vägs ventil och ställdon.

#### Viktigt

Använd INTE 24V DC kraftutgång från anslutningskortet för ventilställdon.

2. Anslut ställdon (S) till valfri ledig analog utgång.
3. Frysskyddsgivaren (FPT) ska spännas fast på en yta på returvattenledningen. Anslut FPT-givaren till valfri ledig analog ingång.
4. En intern givare för tilluftstemperatur (SAT, standardanslutning AI2 på huvudkretskortet) ska ersättas med en kanaltemperaturgivare som kan beställas som tillbehör. En kanaltemperaturgivare måste installeras i kanalen efter vattenvärmare. Anslut kanaltemperaturgivaren till analog ingång 2 (AI2) ersätter den interna tilluftstemperaturgivaren.



#### Obs!

En kanaltemperaturgivare kan anslutas till de analoga ingångarna 6-7 på anslutningskortet för bättre åtkomst och konfigurerad som en tilluftstemperaturgivare. Den interna tilluftstemperaturgivaren måste dock vara inaktiverad i manöverpanelen först.

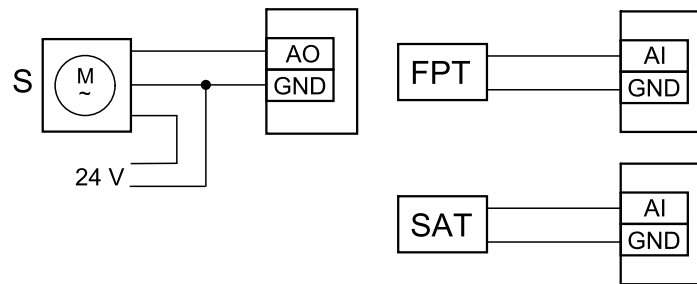


Fig. 17 Vattenvärmaranslutningar

### Konfiguration

1. Gå till *servicemenyn*.
2. Ange lösenord (standard 1111)
3. Aktivera ställdonet. Gå till *menyn komponenter*, välj *Värmare*-menyn och välj typen *vatten*. Välj typ av ställdonsspänning. Ställ in avancerade inställningar om det behövs.
4. Konfigurera styrsignal till ställdonet. Gå till *servicemenyn*. Välj *utgångar*. I nästa meny välj fliken *ANALOG*. Välj den analoga utgång som controlleren av ställdonet är ansluten till. Exempelvis, om den ansluts till AO3 på anslutningskortet, så väljer du därefter *ANALOG UTGÅNG 3* och väljer *Y1-värme* från listan över typer av utgångar.
5. Konfigurera frysskyddsgivaren (FPT). Gå tillbaka till *ingångsmenyn*. Välj fliken *ANALOG*. Välj den analoga ingången som frysskyddsgivaren är ansluten till. Exempelvis, om den är ansluten till AI6 på anslutningskortet, så väljer du därefter *ANALOG INGÅNG 6* och väljer *frysskyddstemperaturgivare (FPT)* från listan över ingångstyper.
6. Eftersom en kanaltemperaturgivare kan ersätta den inre sensorn för tilluftstemperatur, behöver den inte konfigureras om.



### Obs!

En kanaltemperaturgivare kan anslutas till de analoga ingångarna 6-7 på anslutningskortet för bättre åtkomst och konfigurerad som en tilluftstemperaturgivare. Den interna tilluftstemperaturgivaren måste dock vara inaktiverad i manöverpanelen först.

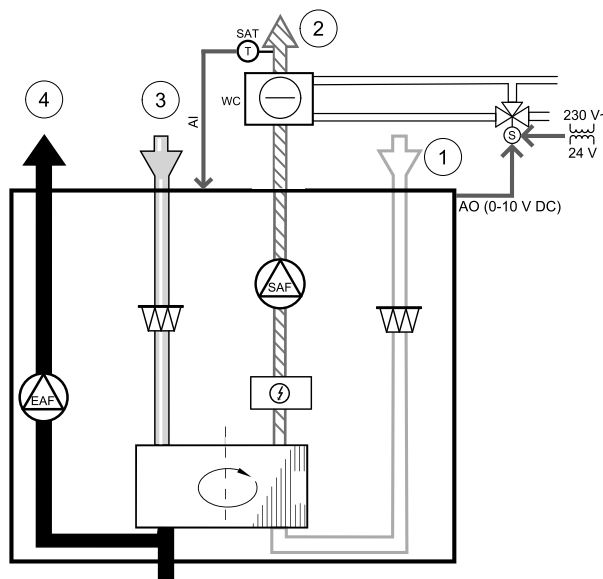
7. Vattenvärmare och dess komponenter är nu konfigurerade.

### 11.3.3 Kanalmonterad efterkylare, vatten



En kanalmonterad efterkylare för kylvatten kan installeras i tilluftskanalen för att sänka temperaturen på tilluften.

- WC - Efterkylare, vatten
- SAT- Temperaturgivare för tilluft
- S- Ventilställdon
- 1 - Uteluft
- 2 - Tilluft
- 3 - Frånluft
- 4 - Avluft



#### Komponent/produkt - artikelnummer:

- CWK 125-3-2,5 kylbatteri, cirkulärt – 30021
- RVAZ4 24A ställdon 0-10V (S) – 9862
- ZTV 15-0,4 2-vägventil – 9829
- ZTV 15-0,6 2-vägventil – 6571
- ZTR 15-0,4-ventil 3-vägs – 9670
- ZTR 15-0,6-ventil 3-vägs – 6573
- Kanalgivare -30-70C (SAT) - 211524

#### Installation och anslutning

1. Installera en efterkylare i kanalen. Anslut rör, 2/3-vägs ventil och ställdon.

#### Viktigt

Använd INTE 24V DC kraftutgång från anslutningskortet för ventilställdon.

2. Anslut ställdon (S) till valfri ledig analog utgång.

3. En intern givare för tilluftstemperatur (SAT, standardanslutning AI2 på huvudkretskortet) ska ersättas med en kanaltemperaturgivare som kan beställas som tillbehör. En kanaltemperaturgivare måste installeras i kanalen efter vattenkylare. Anslut kanaltemperaturgivaren till analog ingång 2 (AI2) ersätter den interna tilluftstemperaturgivaren.



#### Obs!

En kanaltemperaturgivare kan anslutas till de analoga ingångarna 6-7 på anslutningskortet för bättre åtkomst och konfigurerad som en tilluftstemperaturgivare. Den interna tilluftstemperaturgivaren måste dock vara inaktiverad i manöverpanelen först.

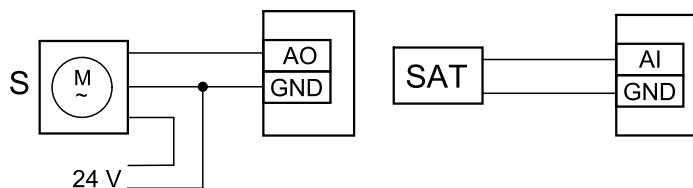


Fig. 18 Kanalkylaranslutningar

#### Konfiguration

1. Gå till servicemenyn .

- Ange lösenord (standard 1111)
- Aktivera ställdonet. Gå till menyn **komponenter**, välj **Kylare**-menyn och välj typen **vatten**. Välj typ av ställdonsspänning. Ställ in avancerade inställningar om det behövs.
- Konfigurera styrsignal till ställdonet. Gå till **servicemenyn**. Välj **utgångar**. I nästa meny välj fliken **ANALOG**. Välj den analoga utgång som kontrolledare av ställdonet är anslutet till. Exempelvis, om den ansluts till A03 på anslutningskortet, så väljer du därefter **ANALOG UTGÅNG 3** och väljer **Y3-KYLA** från listan över utgångar.
- Eftersom en kanaltemperaturgivare kan ersätta den inre sensorn för tilluftstemperatur, behöver den inte konfigureras om.



### Obs!

En kanaltemperaturgivare kan anslutas till de analoga ingångarna 6-7 på anslutningskortet för bättre åtkomst och konfigurerad som en tilluftstemperaturgivare. Den interna tilluftstemperaturgivaren måste dock vara inaktiverad i manöverpanelen först.

- Kanalkylaren och dess komponenter är nu konfigurerade.

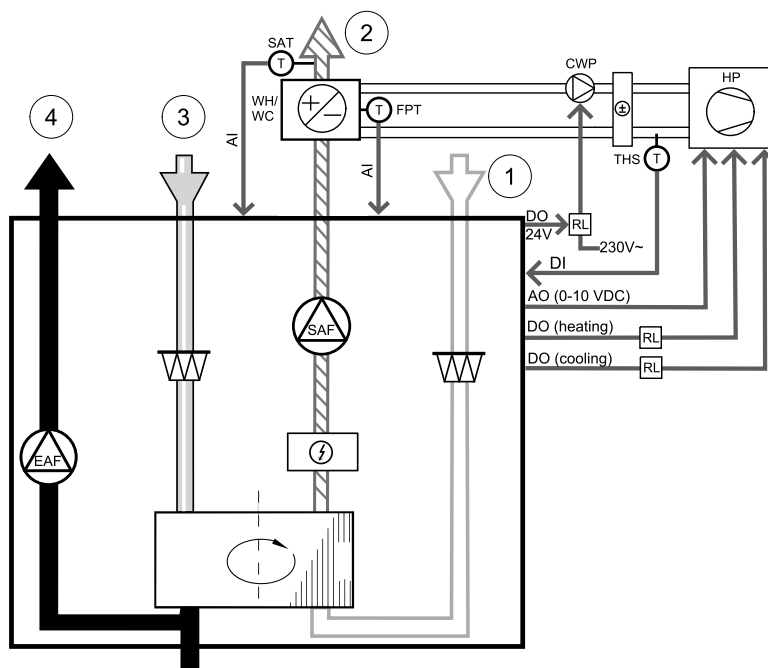
## 11.3.4 Kombi-batteri för uppvärmnings-/kylningsfunktion

Kombibatteri kan användas till både uppvärmning och kylning beroende på behov.

### Viktigt

Kombi-batterisystem (uppvärmning/kylning) kan fullgöra i många olika sätt och variera i varje hushåll. Denna beskrivning är avsedd för den vanligaste lösningen för anslutning och styrning av uppvärmning och kylning med vattenbatteri och värmepump. Vänligen fråga din lokala Systemair rådgivare om din lösning för batterifunktion stöds av SAVE aggregat.

- WH/WC – kombibatteri
- FPT - frysskyddsgivare (valfri)
- SAT - Temperaturgivare för tilluft
- THS - givare för att få veta om temperaturen av uppvärmning-/kylvätska i systemet är korrekt (valfri)
- HP- värmepump (eller andra enheter för uppvärmning och kylning)
- CWP - vattenpump
- RL – relä
- 1 - Uteluft
- 2 - Tilluft
- 3 - Frånluft
- 4 - Avluft



### Komponent/produkt - artikelnummer:

- Kanalgivare -30-70C (SAT) - 211524
- Anligningsgivare -30-150C (FPT) - 211523
- Relä 24V med stös – 211248

### Installation och anslutning

- Installera kombibatteri i kanalen. Installera vattenpump om det behövs. Att slå på eller av vattenpump, skall styras med relä (RL). Anslut relä till ledig digital utgång och 24 V på anslutningskortet. Anslut då strömförsörjning och vattenpump (CWP) till relä.



- Om möjligt, anslut styrsignalsledare av värmepumpen (HP) till ledig digital utgång och 24 V på anslutningskortet.
- Anslut startledare för kylning och uppvärmning till ledig digitala utgångar på anslutningskortet. Relä (RL) måste användas.
- Frys skyddsgivaren (FPT) ska spännas fast på en yta på returvattenledningen. Anslut frysskyddsgivare (FPT) till ledig analog ingång.
- En intern givare för tilluftstemperatur (SAT, standardanslutning AI2 på huvudkretskortet) ska ersättas med en kanaltemperaturgivare som kan beställas som tillbehör. En kanaltemperaturgivare måste installeras i kanalen efter värme/kylare. Anslut kanaltemperaturgivaren till analog ingång 2 (AI2) ersätter den interna tilluftstemperaturgivaren.



### Obs!

En kanaltemperaturgivare kan anslutas till de analoga ingångarna 6-7 på anslutningskortet för bättre åtkomst och konfigurerad som en tilluftstemperaturgivare. Den interna tilluftstemperaturgivaren måste dock vara inaktiverad i manöverpanelen först.

- Man kan använda termostat för att skicka signal (kombi-batteri återkoppling) för vilken typ (varm eller kallt) som finns i rören. Signalen kan också skickas direkt från värmepumpen om sådan funktion är möjlig. Uppvärmning deaktiveras om uppvärmning efterfrågas men bara kallt vatten/köldbärare finns.

Anslut kombi-batteri återkopplingsledare (THS) till ledig digital ingång och 24 V på anslutningskortet.

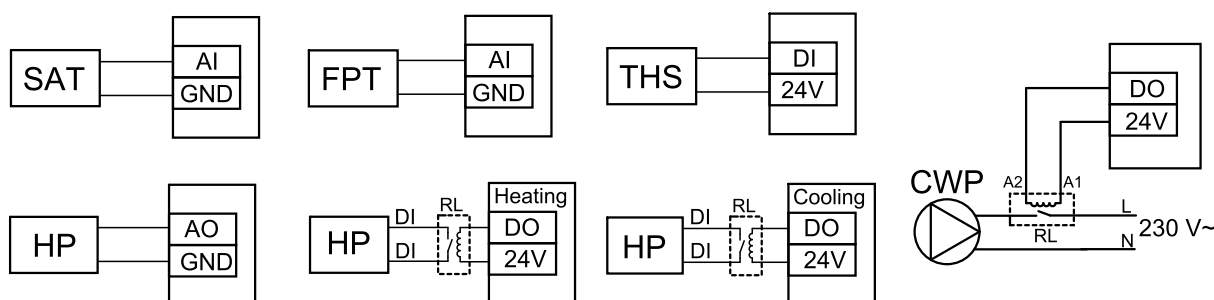


Fig. 19 Växlande uppvärmnings-/kylningsanslutningar

## Konfiguration

Innan växlande uppvärmning/kylningen kan aktiveras, måste alla komponenter konfigureras på manöverpanelen.

- Gå till *servicemenyn*.
- Ange lösenord (standard 1111)
- Gå till *menyn komponenter*, välj *Värmare*-menyn och välj typen *Växlande*. Använd avancerade inställningar om detta är nödvändig.  
Gå till *menyn komponenter*, välj *Kylare*-menyn och välj typen *Växlande*. Använd avancerade inställningar om detta är nödvändig.
- Konfigurera styrsignal av värmepump eller liknande enhet. Gå till *servicemenyn*. Välj *Utgångar*. I nästa meny välj fliken *ANALOG*. Välj den analoga utgång vilken signalledaren är anslutet till. Exempelvis, om den ansluts till AO3 på anslutningskortet, så väljer du därefter *ANALOG UTGÅNG 3* och er *Y1/Y3*-övergång från listan av utgångstyper.
- Konfigurera värme start signal. Gå till *utgångar*. Välj fliken *DIGITAL*. Välj den digital utgång till vilken ledare för värmestartsignal från värmepumpen är ansluten. Exempelvis, om den ansluts till DO1 på anslutningskortet, så väljer du sedan *DIGITAL UTGÅNG 1* och välj *Stegkopplare Y1 värme* från listan.
- Konfigurera kylning start signal. Gå till *utgångar*. Välj fliken *DIGITAL*. Välj den digital utgång till vilken ledare för kylstartsignal från värmepumpen är ansluten. Exempelvis, om den ansluts till DO2 på anslutningskortet, så väljer du sedan *DIGITAL UTGÅNG 2* och välj *Stegkopplare Y3 Kylning* från listan.
- Konfigurera frysskyddsgivaren (FPT). Gå tillbaka till *ingångsmenyn*. Välj fliken *ANALOG*. Välj den analoga ingången som frysskyddsgivaren är ansluten till. Exempelvis, om den är ansluten till AI6 på anslutningskortet, så väljer du därefter *ANALOG INGÅNG 6* och väljer *frysskyddstemperaturgivare (FPT)* från listan över ingångstyper.
- Konfigurera temperatur återkopplingssignal från rören eller värmepump. Gå till *servicemenyn*. Välj fliken *UNIVERSELL*. Välj universell ingång till vilken återkopplingsledaren är ansluten till. Exempelvis, om den är ansluten till UI1 på anslutningskortet, ska du därefter välja *UNIVERSELL INGÅNG 1*. Välj typ av signal som *Digital ingång* och välj *Kombi-batteri återkoppling* från ingångar.
- Eftersom en kanaltemperaturgivare kan ersätta den inre sensorn för tilluftstemperatur, behöver den inte konfigureras om.

**Obs!**

En kanaltemperaturgivare kan anslutas till de analoga ingångarna 6-7 på anslutningskortet för bättre åtkomst och konfigurerad som en tilluftstemperaturgivare. Den interna tilluftstemperaturgivaren måste dock vara inaktiverad i manöverpanelen först.

10. Konfigurera relä till vattenpumpstyrning. Gå till *utgångar*. Välj fliken *DIGITAL*. Välj den digitala utgång som relä är ansluten till. Exempelvis, om den ansluts till DO3 på anslutningskortet, så väljer du sedan *DIGITAL UTGÅNG 3* och välj *Start/Start/Stopp cirkulationspump, Y1/Y3 kombi-batteri* från listan.

## 11.4 Luftflödesreglering

### 11.4.1 VAV-/CAV konverteringskit

VAV-/CAV konverteringskit används för VAV-/CAV-reglering av bostadsaggregat.

**Obs!**

Tillbehörspaketet innehåller artiklar som behövs för VAV-konvertering, däremot behövs ett IRIS-spjäll eller en liknande anordning med känd K-faktor köpas för att kunna använda CAV.

#### Komponent/produkt - artikelnummer:

- VAV-/CAV konverteringskit – 140777
- SPI-125 C Irisspjäll – 6751

#### Installation och anslutning

- Följ instruktionerna i handboken som medföljer tillbehöret.

## 11.5 Installation/underhåll

### 11.5.1 Utelufts-/avlufsspjäll

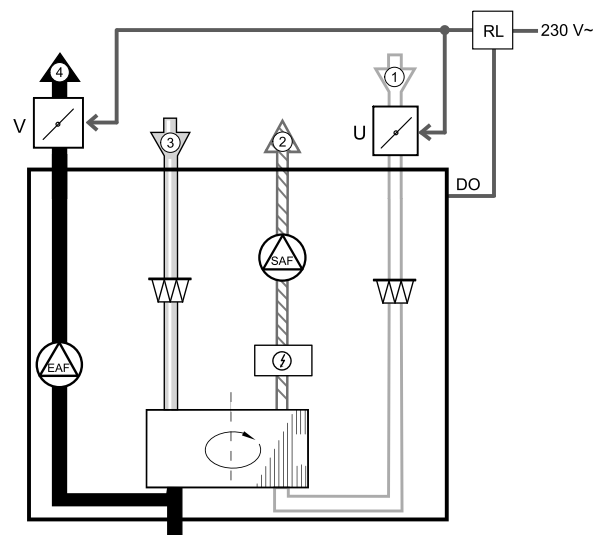


Om manuellt fläktstopp aktiveras bör aggregatet förses med spjäll i avluftskanal och utluftskanal för att undvika kallras och risk för kondens när aggregatet har stoppats.

- RL – relälåda
- U- utluftsspjäll
- V - avluftsspjäll
- 1 - Utluft
- 2 - Tilluft
- 3 - Frånluft
- 4 - Avluft

#### Komponent/produkt - artikelnummer:

- TUNE-R-125-3-M4 (U/V) – 311968
- Reläsats:  
RMK – 153549
- Reläsats med en transformator för 24 VAC spjäll:  
RMK-T – 153548



För all tillgängliga anslutningar variationer, vänligen se kopplingschema som levereras tillsammans med relä monteringskitet.

**Obs!**

24 VAC spjäll kan kopplas och styras endast genom en relä monterings-sats med en transformator (artikelnr: 153548).

Denna installationsprocedur beskriver hur man ansluter spjäll som försörjs med 230 V~ med en relämonterings-enhet utan transformator (artikelnr.: 153549).

**Installation och anslutning**

1. Installera spjäll (U/V).
2. Anslut styrsignal (24 V, DO) som kommer ut från relälådan (RL) till någon fri digital utgång på anslutningskortet (CB).
3. Anslut ledningar för strömförsörjning (N) från spjäll till kopplingsplint. Anslut styrsignal ledningar (Y, linje) från spjällen till reläsockelns kopplingsplintar (11, 21). Se illustration.

När ett spjäll med ett ställdon utan fjäderretur används, måste en extra el-ledning (L) anslutas till kopplingsplinten eftersom ett sådant spjäll kräver konstant strömförsörjning.

4. Anslut el ledare (L, N) som kommer ut från relälådan till 230 V~ strömförsörjning.

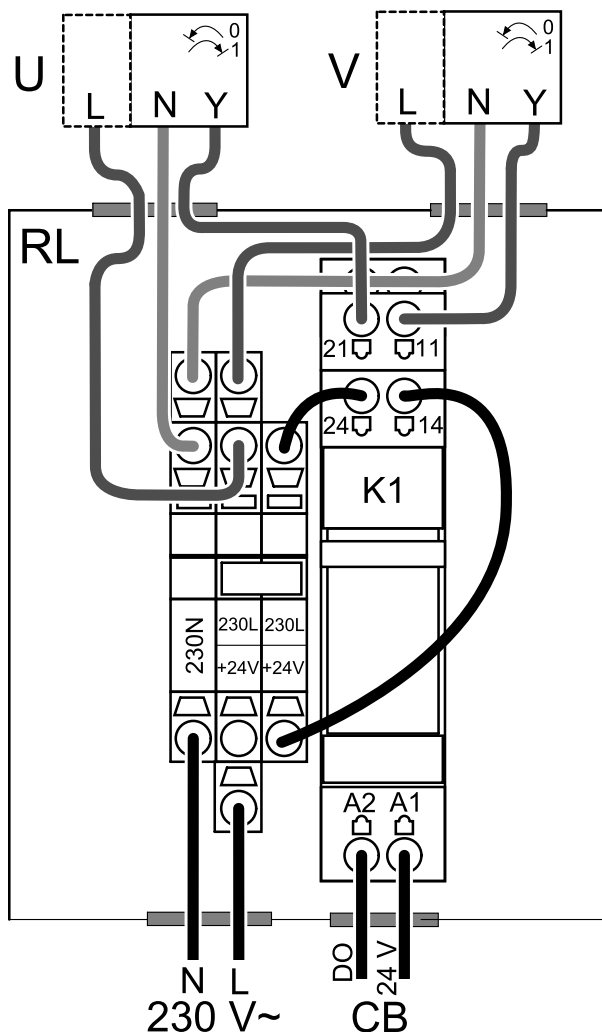


Fig. 2 Spjällanslutning

**Konfiguration**

1. Gå till *servicemenyn*.
2. Ange lösenord (standard 1111)
3. Konfigurera styrsignal till relä. Gå till *utgångar*. Välj fliken *DIGITAL*. Välj den digitala utgång som relä är ansluten till. Exempelvis, om den ansluts till DO3 på anslutningskortet, så väljer du därefter *DIGITAL UTGÅNG 3* och väljer signaltypen *utelufts- / avluftsspjället* från listan av utgångar.

**11.5.2 Flera manöverpaneler**

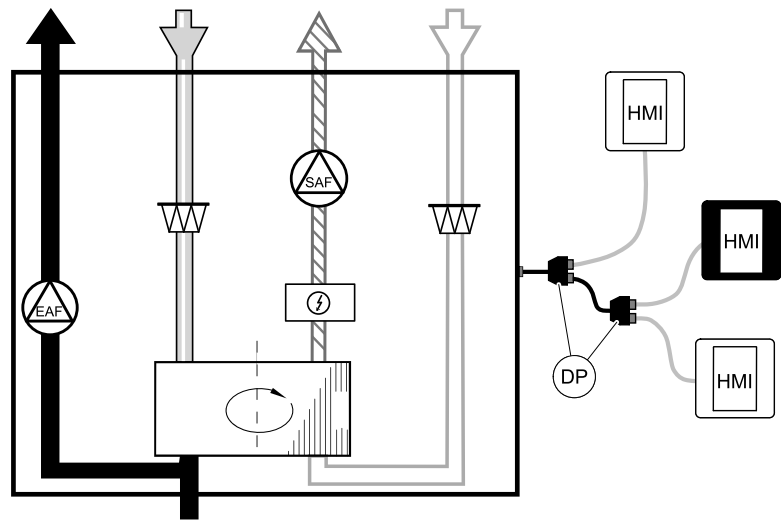
Flera manöverpaneler (upp till 10) kan anslutas till ett luftbehandlingsaggregat med hjälp av en splitkontakt. En enkel split tillåter att ansluta två manöverpanel. En split kan vara ansluten till en annan split för att ytterligare öka antalet av manöverpaneler som kan anslutas samtidigt.

**Obs!**

- Om den 24 V strömförsörjning på manöverpanelen (CB) används för andra slags utrustning kommer antalet av manöverpaneler som kan strömförsörjas att minska.
- En enkel aktiv manöverpanel tar 50 mA. Anslutningskortet försörjer upp till 250 mA. Om 24 V försörjningen inte används av några andra tillbehör, så kan man ansluta upp till 5 manöverpaneler utan extern strömförsörjning. För att ansluta mer än 5 manöverpaneler behöver man en extern strömförsörjning.

Manöverpanel finns som tillbehör i svart eller vit.

- DP – splitkontakt
- HMI – manöverpanel



#### Komponent/produkt - artikelnummer:

- CE/CD-split 4pin – 37367
- CEC-kabel med kontakt 12m – 24782
- CEC-kabel med kontakt 6m – 24783
- HMI vit – 138077
- HMI svart – 138078

#### Installation och anslutning

1. Anslut splitkontakt till kopplingsdosa som är avsedd för extern manöverpanel (HMI) eller Internetåtkomsmodul (IAM).
2. Koppla manöverpaneler in till splitkontakt med hjälp av de rekommenderade kablar eller kabel med kontakt av typ RJ22.



#### Obs!

Den maximala tillåtna kabellängden är 50 meter.

#### Konfiguration

1. Gå till *servicemenyn*.
2. Ange lösenord (standard 1111)
3. Gå till *Kommunikation* ⇒ *HMI Adress* och ändra adressnummer. Upprepa dessa steg för varje ansluten manöverpanel.

Varje manöverpanel måste ha sitt egen unika adressnummer. För att fungera som de ska får manöverpaneler inte ha samma adressvärde.

## 11.6 Filter

Filterna måste bytas ut när de är smutsiga. Nya uppsättningar filter, om möjligt, ska införskaffas direkt från Systemair för att med säkerhet uppfylla kvalitetsstandarderna. Om detta inte är möjligt, kontakta din installatör eller återförsäljare.

Filtertypen är utmärkt upptill på filtret.

#### Komponent/produkt - artikelnummer:

- PFVTR 150 M5/ePM10 60 % Tilluft – 211121
- PFVTR 150 M5/ePM10 60 % Frånluft – 211120
- PFVTR 150 F7/ePM1 55 % Tilluft – 211122



© Copyright Systemair UAB

Alle Rechte vorbehalten

E&OE

Systemair UAB behält sich das Recht vor, ihre Produkte ohne vorherige Ankündigung zu ändern.

Dies gilt auch für bereits bestellte Produkte, sofern die vorher vereinbarten Spezifikationen nicht beeinflusst werden.

Systemair haftet nicht oder ist durch Gewährleistung verpflichtet, wenn diese Anweisungen bei der Installation oder dem Service nicht eingehalten werden.

# Inhaltsverzeichnis

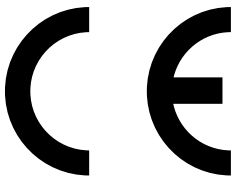
1	Konformitätserklärung.....	113			
2	Entsorgung und Recycling .....	114			
3	Warnhinweise .....	114			
4	Über dieses Dokument .....	114			
5	Produktinformationen .....	114			
5.1	Allgemeines.....	114			
5.2	Einbauempfehlung betreffend Kondensation .....	115			
5.2.1	Kondensation im Inneren des Lüftungsgerätes.....	115			
5.2.2	Kondensation außen am Lüftungsgerät.....	115			
5.3	Transport und Lagerung.....	116			
5.4	Technische Daten.....	116			
5.4.1	Abmessungen und Gewicht .....	116			
5.4.2	Anschlüsse links- und rechtsseitige Modelle.....	117			
5.4.3	Systemkurven .....	117			
5.4.4	Energieverbrauch und Absicherung.....	118			
6	Installation.....	119			
6.1	Auspacken.....	119			
6.2	Installationsort/Installation.....	119			
6.3	Installationsverfahren SAVE VTR 150/ K .....	119			
6.4	Äußere Frontabdeckung entfernen / befestigen .....	120			
6.5	Innere Abdeckung entfernen / befestigen .....	121			
7	Konfiguration .....	121			
7.1	Allgemeines.....	121			
7.2	Startup-Assistent .....	122			
7.3	Allgemeine Symbole .....	122			
7.4	Menü-Übersicht.....	123			
7.5	Startbildschirm.....	124			
7.5.1	Benutzermodi.....	124			
7.5.2	Temperatureinstellun- gen .....	126			
7.5.3	Luftstromeinstellungen.....	127			
7.5.4	Luftqualität (IAQ).....	127			
7.5.5	Statuszeile.....	127			
7.6	Beschreibung der Benutzer Funktion Symbole.....	128			
7.7	Hauptmenü.....	129			
7.7.1	Informationen zum Lüftungsgerät.....	129			
7.7.2	Alarmer .....	129			
7.7.3	Wochenprogramm.....	133			
7.7.4	Filter .....	134			
7.7.5	Systemeinstellun- gen.....	135			
7.7.6	Service / Konfiguration.....	135			
7.7.7	Hilfe.....	143			
8	Elektrische Anschlüsse .....	143			
8.1	Hauptplatinenlayout.....	143			
8.2	Externe Anschlüsse (außenliegenden Anschlussbox) .....	145			
9	Vor Inbetriebsetzung des Systems .....	145			
10	Service .....	146			
10.1	Warnhinweise .....	146			
10.2	Interne Komponenten .....	147			
10.3	Beschreibung der Komponenten.....	147			
10.3.1	Ventilatoren .....	147			
10.3.2	Filter .....	148			
10.3.3	Wärmetauscher .....	148			
10.3.4	Hauptplatine .....	148			
10.3.5	Anschlusskasten .....	148			
10.3.6	Temperatursensoren.....	148			
10.3.7	Feuchtesensor.....	148			
10.3.8	Elektrisches Nachheizregister .....	148			
10.3.9	Rückstelltaste Überhitzungsschutz .....	148			
10.4	Austausch der Rotor- Antriebsriemens .....	149			
10.5	Fehlersuche .....	150			
11	Zubehör .....	152			
11.1	Internetkommunikationsmodul (IAM).....	152			

11.1.1	Einrichten der Fernbedienung des Gerätes .....	153
11.2	Luftqualitätssensoren.....	154
11.3	Temperaturregelung .....	156
11.3.1	Elektrisches Vorheizregister für Kanalmontage.....	156
11.3.2	Wassernachheizregister für Kanalmontage .....	157
11.3.3	Wasserkühlregister für Kanalmontage .....	159
11.3.4	Change-Over Register für Heiz-/Kühlfunktion .....	161
11.4	Luftstromregelung.....	163
11.4.1	CAV/VAV Set.....	163
11.5	Installation / Wartung.....	163
11.5.1	Außen- / Abluftklappe .....	163
11.5.2	Mehrere Bedieneinheiten.....	165
11.6	Filter .....	166



# 1 Konformitätserklärung

## Der Hersteller



Systemair UAB  
 Linų st. 101  
 LT-20174 Ukmergė, LITAUEN  
 Büro: +370 340 60165 Fax: +370 340 60166  
 www.systemair.com

### bestätigt hiermit, dass das folgende Produkt:

Lüftungsgerät mit Wärmerückgewinnung: SAVE VTR 150/K

(Die Erklärung gilt nur für die Produkte, wie sie in die Einrichtung geliefert und dort gemäß den dazugehörigen Installationsanweisungen installiert wurden. Die Versicherung deckt keine Komponenten ab, die hinzugefügt werden, oder Arbeiten, die anschließend an dem Produkt ausgeführt werden.)

### Alle anwendbaren Anforderungen der folgenden Richtlinien sind einzuhalten:

- Maschinenrichtlinie 2006/42/EG
- Niederspannungsrichtlinie 2014/35/EU
- EMV-Richtlinie 2014/30/EU
- Ökodesign-Richtlinie 2009/125/EG
- ROHS-Richtlinie 2011/65/EU

### Die folgenden Regelungen werden in den relevanten Teilen angewandt:

1253/2014	Anforderungen an Lüftungsgeräte
1254/2014	Energieverbrauchskennzeichnung für Wohnraumlüftungsgeräte
327/2011	Anforderungen an Ventilatoren über 125 W

### Die folgenden harmonisierten Normen werden an den entsprechenden Stellen angewendet:

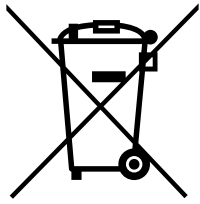
EN ISO 12100:2010	Sicherheit von Maschinen - Allgemeine Gestaltungsleitsätze - Risikobeurteilung und Risikoreduzierung
EN 13857	Sicherheit von Maschinen - Sicherheitsabstände gegen das Erreichen von Gefährdungsbereichen mit den oberen und unteren Gliedmaßen
EN 60 335-1	Elektrische Geräte für den Hausgebrauch und ähnliche Zwecke - Sicherheit Teil 1: Allgemeine Anforderungen
EN 60 335-2-40	Sicherheit elektrischer Geräte für den Hausgebrauch und ähnliche Zwecke - Teil 2-40: Besondere Anforderungen für elektrisch betriebene Wärmepumpen, Klimageräte und Raumlüftentfeuchter
EN 62233	Verfahren zur Messung der elektromagnetischen Felder von Haushaltgeräten und ähnlichen Elektrogeräten im Hinblick auf die Sicherheit von Personen in elektromagnetischen Feldern
EN 50 106:2007	Sicherheit elektrischer Geräte für den Hausgebrauch und ähnliche Zwecke - Besondere Regeln für Stückprüfungen von Geräten im Anwendungsbereich der EN 60 335-1 und EN 60967.
EN 61000-6-2	Elektromagnetische Verträglichkeit (EMV) - Teil 6-2: Fachgrundnorm - Störfestigkeit für Industriebereiche
EN 61000-6-3	Elektromagnetische Verträglichkeit (EMV) - Teil 6-3: Fachgrundnorm - Emissionsnormen für Wohnbereich, Geschäfts- und Gewerbebereich sowie Kleinbetriebe

Skinnskatteberg, 11-10-2017

Mats Sándor

Technischer Leiter

## 2 Entsorgung und Recycling



Dieses Produkt entspricht der WEEE-Richtlinie. Bei der Entsorgung des Gerätes befolgen Sie die örtlichen Regelungen und Vorschriften.  
Das Verpackungsmaterial dieses Produkts ist recyclingfähig und kann wiederverwendet werden. Nicht mit dem Hausmüll entsorgen.



## 3 Warnhinweise



### Gefahr

- Achten Sie darauf, dass die Netzstromversorgung des Geräts getrennt ist, bevor Sie Wartungsarbeiten oder elektrische Arbeiten ausführen!
- Alle elektrischen Anschlüsse und Wartungsarbeiten dürfen nur von einer Elektrofachkraft ausgeführt werden und haben den örtlichen Regeln und Vorschriften zu entsprechen.



### Warnung

- Dieses Produkt darf nur von einer Person betrieben werden, die über geeignete Kenntnisse oder Schulungen in diesem Bereich verfügt oder unter der Aufsicht einer entsprechend qualifizierten Person.
- Achten Sie während der Montage- und Wartungsarbeiten auf scharfe Kanten. Tragen Sie Schutzhandschuhe.



### Warnung

- Obwohl die Netzversorgung des Gerätes abgetrennt ist, besteht immer noch Verletzungsgefahr durch rotierende Teile, die nicht ganz zum Stillstand gekommen sind.

### Wichtig

- Die Installation des Geräts und des gesamten Lüftungssystems darf nur von einer Elektrofachkraft durchgeführt werden und hat den örtlichen Regeln und Vorschriften zu entsprechen.
- Das System sollte kontinuierlich arbeiten und nur bei Wartung/Service angehalten werden.
- Schließen Sie keine Wäschetrockner an das Lüftungssystem an
- Kanalanschlüsse/Kanalenden müssen während der Lagerung und Installation abgedeckt werden.
- Vergewissern Sie sich vor dem Starten des Geräts, dass die Filter eingebaut sind.

## 4 Über dieses Dokument

Diese Installationsanleitung bezieht sich auf die Lüftungsgeräte vom Typ SAVE VTR 150/K, die von Systemair hergestellt werden.

Die Anleitung enthält grundlegende Informationen und Empfehlungen hinsichtlich Bauart, Installation, Inbetriebnahme und Betrieb zur Gewährleistung eines ordnungsgemäßen und fehlerfreien Betriebs des Gerätes.

Ein ordnungsgemäßer und sicherer Betrieb des Gerätes wird durch aufmerksames Lesen und einer Anwendung des Gerätes entsprechend der vorgegebenen Richtlinien und Einhaltung aller Sicherheitsanforderungen erzielt.

## 5 Produktinformationen

### 5.1 Allgemeines

Das SAVE VTR 150/K ist ein Lüftungsgerät mit Wärmerückgewinnung mit einem eingebauten Rotationswärmetauscher und einer integrierten Abzugshaube. Das SAVE VTR 150/K ist für kleinere Wohnungen oder Häuser geeignet. Es dient zur Versorgung von Wohnbereichen mit gefilterter Außenluft und zum Absaugen der Luft aus Bad, Küche und Nassräumen.

Es gibt zwei Modelloptionen, ein rechtsseitiges (R) und ein linksseitiges (L) Modell (Abbildung 1). Die unterschiedlichen Modelle werden anhand der Zuluftöffnung erkannt, die sich bei einem (L)-Gerät auf der linken Seite des Geräts und bei einem (R)-Gerät auf der rechten Seite befindet. Beide Modelle verfügen über ein installiertes Nachheizregister mit 500 W oder 1000 W.

## 5.2 Einbauempfehlung betreffend Kondensation

### 5.2.1 Kondensation im Inneren des Lüftungsgerätes

Wenn das Gerät auf einem kalten Dachboden installiert ist (nahe der Außentemperatur), sollte das Gerät kontinuierlich laufen. Wenn das Gerät vom Benutzer manuell oder aufgrund der Einstellungen im Wochenprogramm gestoppt werden soll, empfehlen wir luftdichte Absperrklappen in der Ab- und Zuluft zu installieren. Die Absperrklappen verhindern die Zirkulation der warmen Luft aus dem Gebäude über das Gerät nach außen. (Schornstein-Effekt). Wenn keine Absperrklappen installiert sind, besteht die Gefahr von Kondensation im Lüftungsgerät sowie im kalten Lüftungskanal während den Stillstandzeiten. Des Weiteren kann die kalte Außenluft durch das Lüftungsgerät in das Gebäude gelangen. Dadurch kann Kondensation im Warmbereich außen am Lüftungskanal sowie an den Luftauslässen entstehen.

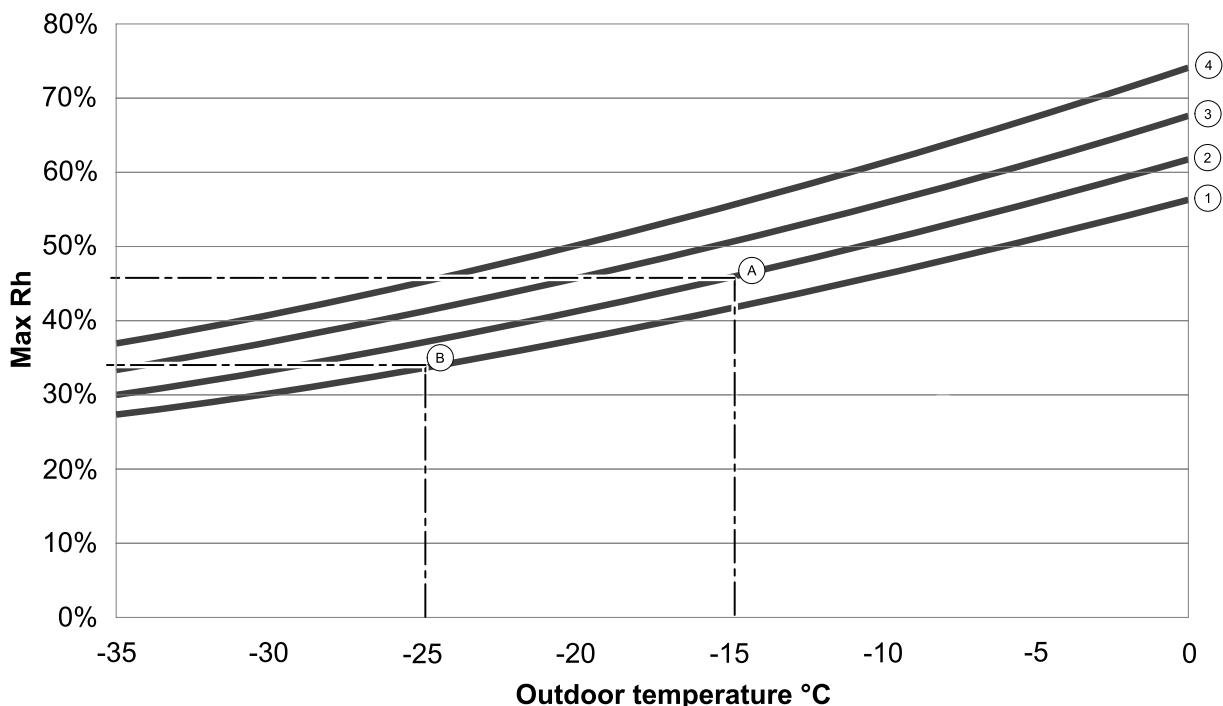
Auf Grund der zuvor genannten Risiken und Folgen, müssen die Lüftungsrohre vom Gerät getrennt und verschlossen werden, wenn das Lüftungsgerät montiert, jedoch noch nicht in Betrieb genommen wurde.

### 5.2.2 Kondensation außen am Lüftungsgerät

Wenn das Lüftungsgerät in einem warmen und feuchten Aufstellungsraum (z.B. Waschküche, Bad, etc.) platziert wird, besteht die Gefahr von Kondensation außen am Gehäuse. Die Kondensation am Gehäuse in Abhängigkeit der Umgebungsfuchte, Umgebungstemperatur und Außentemperatur ist auf dem folgenden Diagramm ersichtlich. Oberhalb der Kurven im Diagramm entsteht Kondensat am Gehäuse.

#### Wichtig

Empfehlung: Wenn Kondensat entsteht, erhöhen Sie den Luftaustausch im Aufstellungsraum vom Lüftungsgerät. (Reduzierung der Feuchtigkeit)



1. Raumtemperatur 20 °C
2. Raumtemperatur 22 °C
3. Raumtemperatur 24 °C
4. Raumtemperatur 26 °C

Beispiele, wenn Kondensation außerhalb des Gerätes auftreten kann:

**Beispiel A:** Die Umgebungstemperatur vom Lüftungsgerät beträgt 22° C und die Außenluft wird mit -15 °C angesaugt. Das Kondensat entsteht sobald die relative Luftfeuchtigkeit im Aufstellungsraum 46% und mehr beträgt.

**Beispiel B:** Die Umgebungstemperatur vom Lüftungsgerät beträgt 20° C und die Außenluft wird mit -25 °C angesaugt. Das Kondensat entsteht sobald die relative Luftfeuchtigkeit im Aufstellungsraum 34% und mehr beträgt.

### 5.3 Transport und Lagerung

Das SAVE VTR 150/K sollte so gelagert und transportiert werden, dass es vor materiellen Schäden an Gehäusewänden etc. geschützt wird. Abdeckungen sollten benutzt werden, um zu verhindern, dass Staub, Regen und Schnee eindringen und das Gerät und seine Bestandteile schädigen können.

Das Gerät wird in einem Stück einschließlich aller erforderlichen Komponenten geliefert und ist für einen problemlosen Transport auf einer Palette in Kunststoff eingewickelt.

### 5.4 Technische Daten

#### 5.4.1 Abmessungen und Gewicht

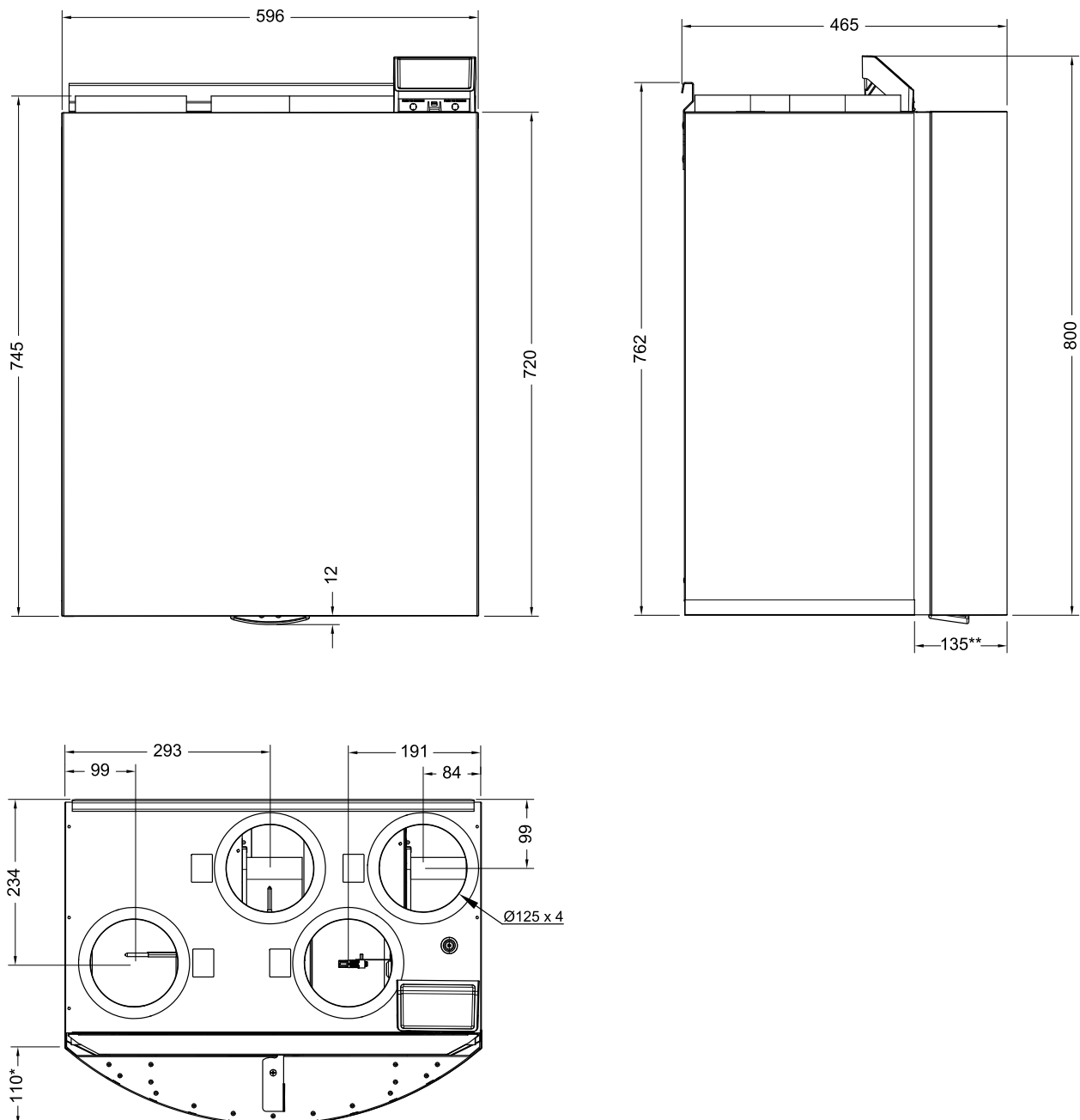


Bild 1 Abmessungen des linksseitigen Geräts

Das Gewicht des Geräts ist 61 kg.

### 5.4.2 Anschlüsse links- und rechtsseitige Modelle

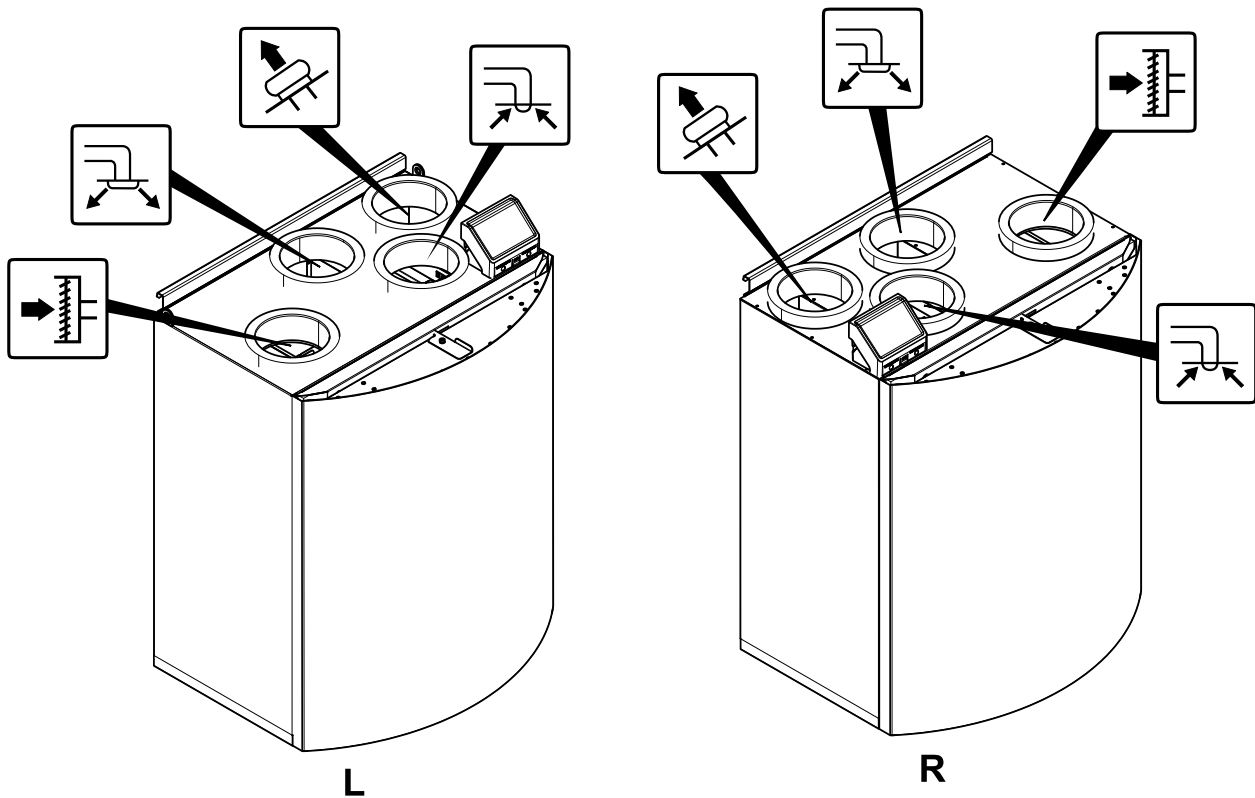
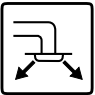
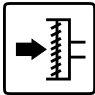




Bild 2 Links- und rechtsseitige Modelle

Position	Beschreibung
R	Rechtsseitiges Modell (der Zuluftanschluss befindet sich von vorne betrachtet auf der rechten Seite des Gerätes)
L	Linksseitiges Modell (das Zuluftanschlussfeld befindet sich von vorne betrachtet auf der linken Seite des Gerätes)

Symbol	Beschreibung	Symbol	Beschreibung
	Zuluft		Außenluft
	Fortluft		Abluft

Kanalanschlüsse: Ø 125 mm

### 5.4.3 Systemkurven

Jede Druckänderung im Lüftungssystem führt zu einem veränderten Luftvolumenstrom.

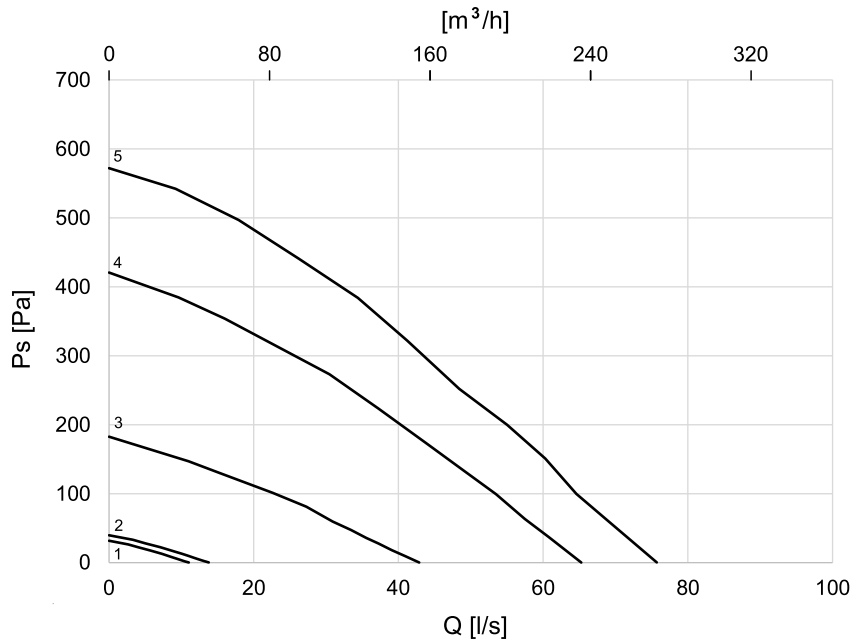
Jede Kurve zeigt eine andere Einstellung des Luftvolumenstroms:

1. 16% (MINIMUM)
2. 20% (NIEDRIG)
3. 50% (NORMAL)
4. 80% (HOCH)
5. 100% (MAXIMUM)

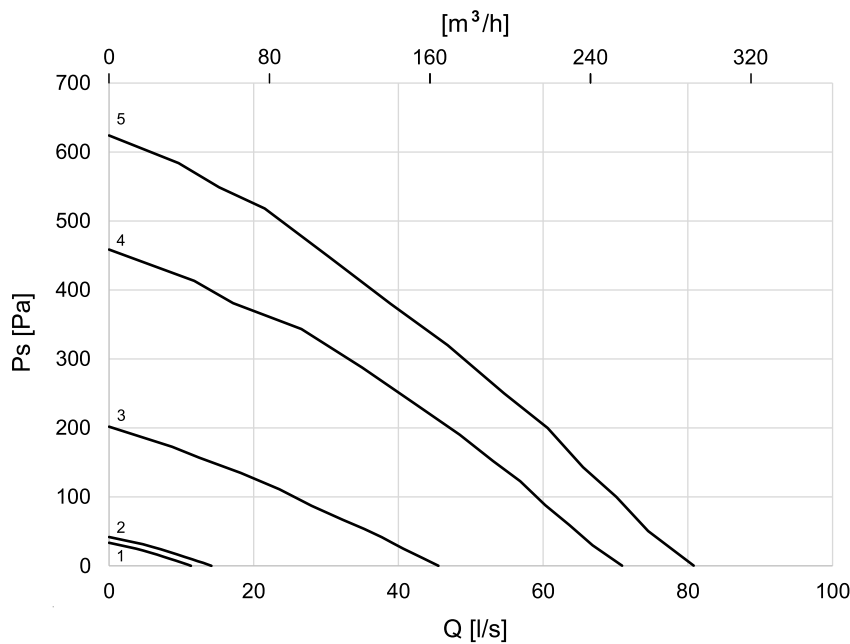
Die Luftvolumenstromereinstellungen können im *Service/Konfiguration* Menü verändert werden.

Der Druck wird durch den Filtertyp beeinflusst und ist je nach Filterkombination unterschiedlich. Systemkurven der zuvor genannten Betriebsstufen mit Standardfilter.

### 5.4.3.1 Zuluft, M5/ePM10 60% Filter vom Typ



### 5.4.3.2 Abluft, Filter vom Typ M5/ePM10 60%



### 5.4.4 Energieverbrauch und Absicherung

SAVE VTR 150/K verfügt über ein installiertes Nachheizregister mit 500 W oder 1000 W .

**Tabelle 1 Elektrische Daten**

Nachheizregister	500 W	1000 W
Ventilatoren	172 W	
Energieverbrauch, gesamt	672 W	1172 W
Sicherung	10 A	

## 6 Installation

### 6.1 Auspacken

Prüfen Sie bevor Sie mit der Installation beginnen, ob alle Geräte geliefert wurden. Jegliche Abweichungen von der bestellten Ware müssen dem Händler der Systemair-Produkte gemeldet werden.

### 6.2 Installationsort/Installation

Das SAVE VTR 150/K ist über einem Herd anzubringen.

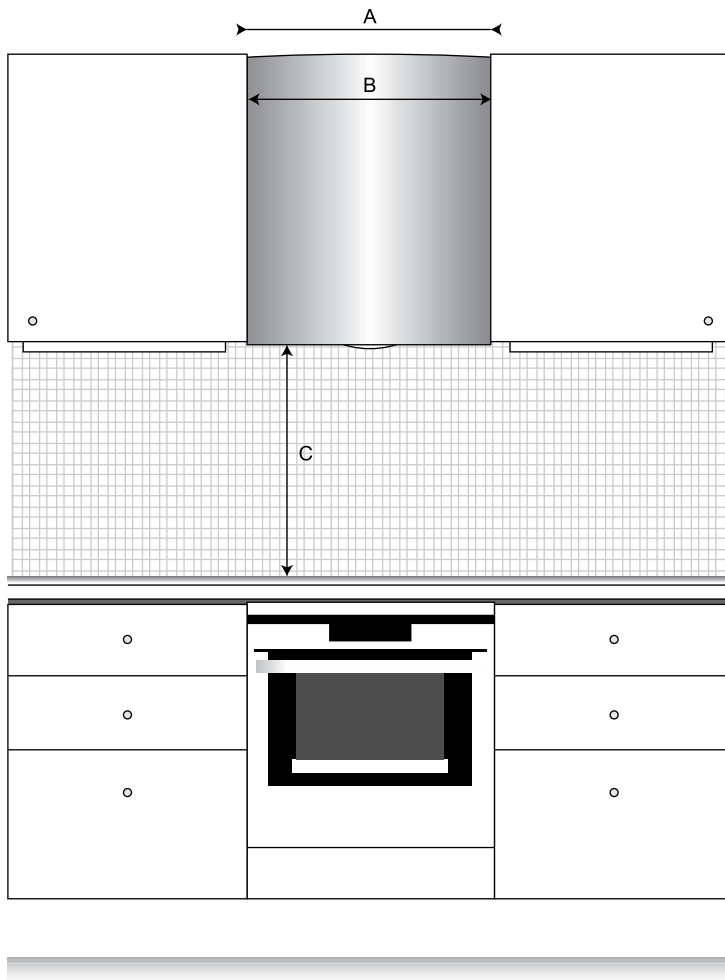


Bild 3 SAVE VTR 150/K in einer Küche

<b>A</b>	Mindestabstand zwischen Schränken (mm)	600
<b>B</b>	SAVE VTR 150/K Breite des Geräts (mm)	598
<b>C, Elektroherd</b>	Mindestabstand zwischen Herdoberfläche und Dunstabzugshaube (mm)	450 (500 sind empfohlen)
<b>C, Gasherd</b>	Mindestabstand zwischen Herdoberfläche und Dunstabzugshaube (mm)	650

### 6.3 Installationsverfahren SAVE VTR 150/K

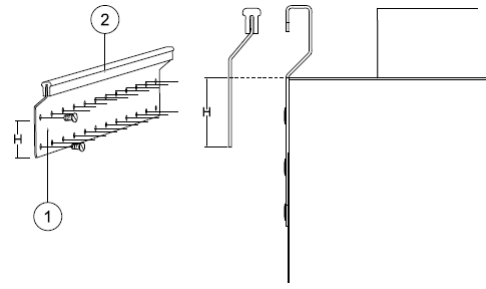
- 1 Bereiten Sie die Oberfläche vor, auf der das Gerät montiert werden soll. Vergewissern Sie sich, dass die Oberfläche flach und vertikal ist, und dass sie das Gewicht des Gerätes tragen kann. Führen Sie die Installation unter Einhaltung der örtlichen Regeln und Vorschriften durch.

- 2 Befestigen Sie die Wandaufhängung (Pos. 1) mit dem Vibrationsdämpfungs-pad (Pos. 2) mittels der beige-fügten Schrauben an der Wand. Verwenden Sie geeignete Löcher, um die Halterung an der Wand festzuschrauben. Die untere Seite der Halterung sollte 40 mm (H) unter der Oberseite des Geräts sein.



### Hinweis!

Vergewissern Sie sich, dass die Montagehalterung nach Montage an der Wand völlig horizontal ist. Überprüfen Sie dies mit einer Wasserwaage.



- 3 Heben Sie das Gerät in die gewünschte Position



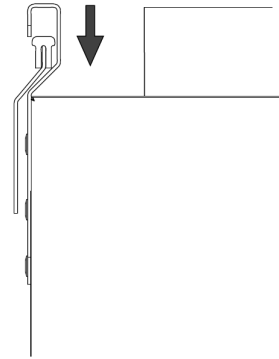
### Warnung

Achten Sie während der Montage- und Wartungsarbeiten auf scharfe Kanten. Tragen Sie Schutzhandschuhe. Berücksichtigen Sie bei der Montage das Gewicht des Geräts!



### Hinweis!

Vergewissern Sie sich, dass das Gerät nach Montage an der Wand völlig vertikal und horizontal ist. Überprüfen Sie dies mit einer Wasserwaage.



- 4 Schließen Sie das Gerät an das Kanalsystem an. Vergewissern Sie sich, dass alle erforderlichen Zubehörteile verwendet werden, damit eine funktionelle Lüftungslösung geschaffen wird.



### Warnung

Die Installation des Geräts und des gesamten Lüftungssystems darf nur von einer Elektrofachkraft durchgeführt werden und hat den örtlichen Regeln und Vorschriften zu entsprechen.

## 6.4 Äußere Frontabdeckung entfernen / befestigen

Die äußere Frontabdeckung ist mit vier Stiften befestigt und kann durch Drücken des Verriegelungshakens nach links und Ziehen zum Körper hin entfernt werden.

Erneute Befestigung der Frontabdeckung in umgekehrter Reihenfolge.



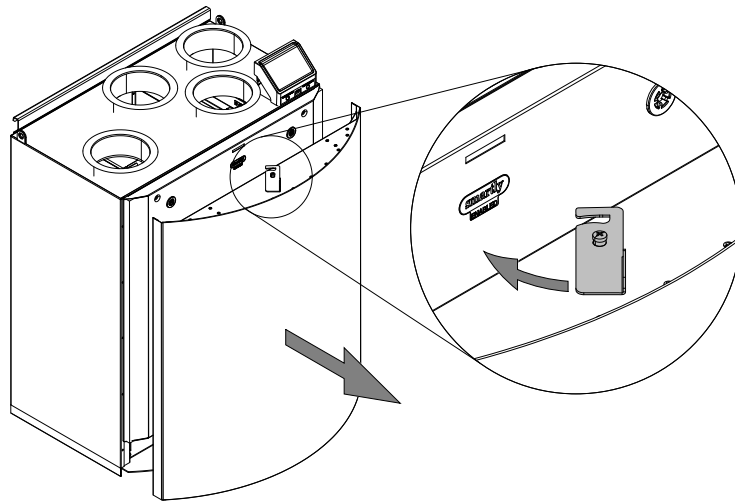


Bild 4 Äußere Frontabdeckung entfernen / befestigen

## 6.5 Innere Abdeckung entfernen / befestigen

Die innere Abdeckung ist mit vier Schrauben befestigt. Die Schrauben lösen und die innere Abdeckung zum Körper hin abziehen.

Die innere Abdeckung wieder aufsetzen und die Befestigungsschrauben gut festziehen, um ein Luftausströmen zu verhindern.



### Hinweis!

Beim Einbauen der inneren Abdeckung die beiden Führungsschrauben am unteren Ende der inneren Abdeckung beachten. Diese Schrauben müssen in die beiden Aussparungen im Befestigungswinkel der inneren Klappe eingeführt werden.

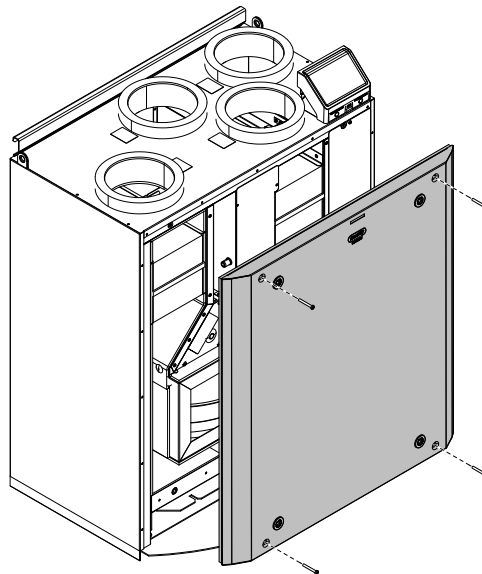


Bild 5 Innere Abdeckung entfernen / befestigen

## 7 Konfiguration

### 7.1 Allgemeines

SAVE VTR 150/K beinhaltet eine moderne Bedieneinheit mit LCD Touchscreen, auch bekannt als HMI - Human Machine Interface. Über die Bedieneinheit sind alle aktuellen Werte des Lüftungsgerätes ersichtlich und ermöglicht den Zugriff auf alle Systemfunktionen.

Die Einstellungen werden durch Berühren der Symbole oder Optionen vorgenommen. Der Touchscreen ist empfindlich und es ist nicht nötig, zu hart zu drücken.

## 7.2 Startup-Assistent

Beim ersten Einschalten des Gerätes werden Sie aufgefordert,

- Menüsprache
- Zeit und Datum
- Luftstromregelung Typ (Manuell/RPM (UPM)) Und Luftstrompegelwerte
- Heizgerät (Keine/Elektrisch/Wasser/Umschaltung)

Wenn der Start-Assistent abgebrochen wird, startet er beim nächsten Einschalten des Gerätes wieder, das wird fortgesetzt, bis der Start-Assistent erfolgreich beendet ist.

## 7.3 Allgemeine Symbole

Die folgenden Auswahlssymbole sind üblich und in den meisten Menüseiten vorhanden:



Zurück-Taste, um zu einem vorherigen Menü zurückzukehren, das sich in der oberen linken Ecke befindet



Pfeil nach oben, um einen Wert zu erhöhen



Pfeil nach unten, um einen Wert zu verringern



Ein und Aus Schieberegler zum Aktivieren oder Deaktivieren einer Funktion. Weiße Blasen - Funktion ist inaktiv, grüne Blasen - Funktion ist aktiv.

**Abbrechen**

Schaltfläche zum Abbrechen von Änderungen

**Bestätigen/OK**

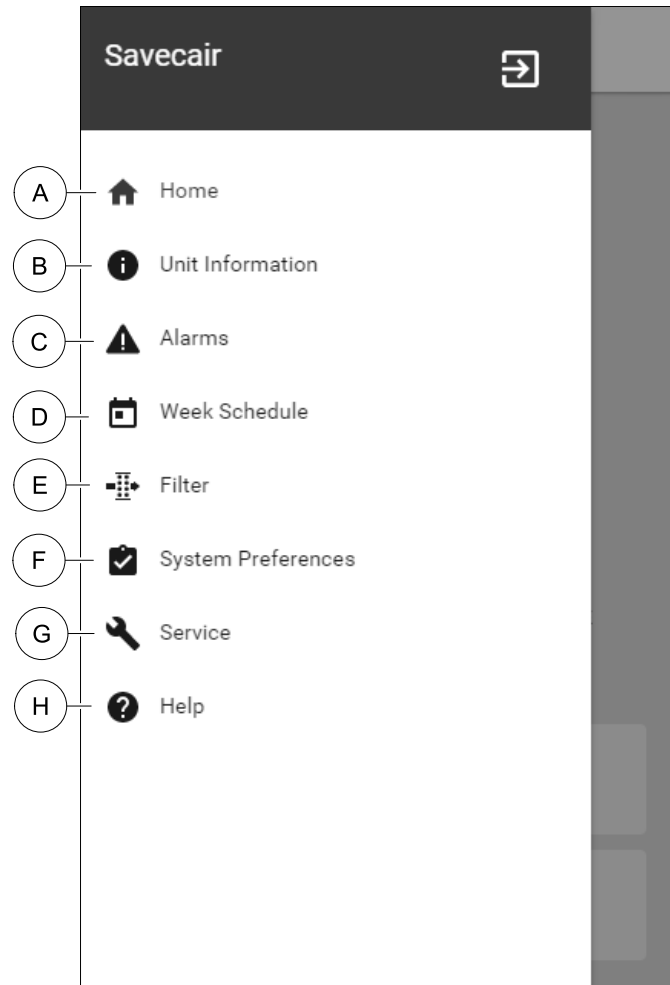
Schaltflächen zum Bestätigen von Änderungen

Einige Menüs haben mehr als eine Seite. Berühren Sie die Seitenanzeige in der oberen rechten Ecke, um zur nächsten Seite zu gelangen. Die erste Zahl gibt die aktuelle Seitenzahl und die zweite Zahl die Gesamtzahl der verfügbaren Seiten an.


Viele Optionen erscheinen in Form des Pop-up-Fensters. Wählen Sie die Option aus der angezeigten Liste im Pop-up-Fenster und Pres aus **OK**, Um die Auswahl zu bestätigen.

## 7.4 Menü-Übersicht

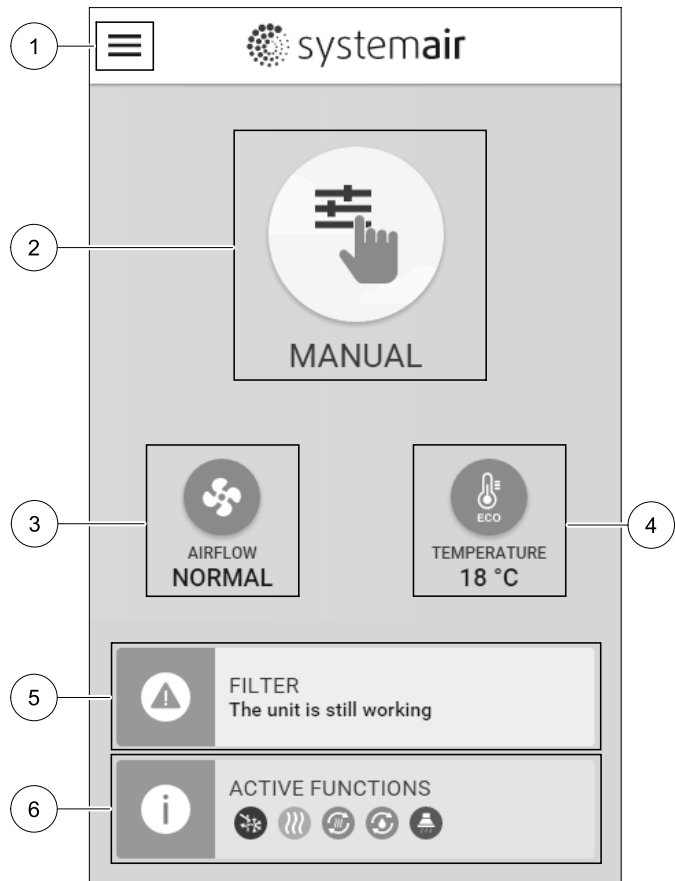
- A. Rückkehr zum Heimbildschirm
- B. Grundlegende schreibgeschützte Informationen über die Einheit
- C. Aktuell aktive Alarmer und Alarmverlauf
- D. Konfigurieren und Prüfen des Wochenplans
- E. Überprüfen und ändern Sie die verbleibende Zeit bis zum Filterwechsel
- F. Allgemeine Systemvorgaben
- G. Konfiguration aller Systemparameter
- H. Hilfe und Fehlerbehebung Menü



## 7.5 Startbildschirm

 Berühren home Symbol (pos. A) in der Drop-down-Menüliste (Pos. 1) kehrt nach der Inbetriebnahme immer wieder zum Startbildschirm zurück.

1. Drop-down-Menü Liste
2. Aktive Benutzer Modus
3. Luftstromeinstellungen
4. Temperatureinstellungen
5. Liste der aktiven Alarme
6. Icon-Liste der aktiven Benutzerfunktionen




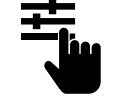

### 7.5.1 Benutzermodi

Das erste Symbol am Anfang des Startbildschirms zeigt den momentan aktiven Benutzermodus an. Um den Benutzermodus zu ändern, berühren Sie das Symbol für den aktiven Benutzermodus (Pos. 2) und wähle einen neuen Benutzermodus aus der Liste aus. Die Einheit verfügt über 2 permanente und 5 temporäre User-Modi zur Auswahl. Es kann immer nur ein Modus aktiv sein.

Die Einstellungen aller Modi können im *Service / Konfiguration*-Menü geändert werden.






#### 7.5.1.1 Permanente Modi

Permanent-Modi sind immer aktiv, wenn nicht durch temporäre Modi, aktivierte Benutzerfunktionen oder Alarme unterbrochen werden:

Symbol	Text	Beschreibung
	AUTO	Automatische Luftstromregelung. Der AUTO-Modus steht zur Auswahl, wenn die Bedarfssteuerung, Wochenprogramm und / oder externe Lüftersteuerungsfunktionen konfiguriert sind. Andernfalls ist das AUTO-Modus-Symbol im aktiven Benutzermodi-Menü nicht sichtbar. Der AUTO-Modus aktiviert die Bedarfssteuerung, Wochenprogramm und / oder externe Lüftersteuerung. Die Bedarf ist verfügbar, um als Luftströmungseinstellung im Wochenprogramm zu wählen.
	MANUELL	Manuelle Auswahl der Luftmengen. Die Einheit kann mit einer von vier verfügbaren Luftstromgeschwindigkeiten betrieben werden: Aus/Niedrig/Normal/Hoch.  <b> Hinweis!</b> Auf Aus der Lüfter kann durch Aktivieren der Manueller Ventilatorenstopp-Funktion im <i>Service / Konfiguration</i> -Menü gestellt werden.

### 7.5.1.2 Temporäre Betriebsarten

Temporäre Modi sind nur für eine festgelegte Zeitspanne aktiv, wenn sie nicht durch aktive Benutzermodi, aktivierte Benutzerfunktionen oder Alarmer unterbrochen werden:



Symbol	Text	Beschreibung
	URLAUB	Einstellung der Betriebsstufe von Zu- und Abluftventilator für die Anwenderfunktion Urlaub. Bei längerer Abwesenheit kann diese auf <b>niedrige</b> eingestellt werden. Dabei ist zu beachten, dass die hinterlegte Luftmenge den Feuchteschutz nicht unterschreitet. Der <b>ECO-Modus</b> ist weiterhin aktiv. Aktiver Zeitraum einstellbar in Tagen.
	PARTY	Einstellung der Betriebsstufe von Zu- und Abluftventilator für die Anwenderfunktion Party. Diese kann auf <b>hoch</b> eingestellt werden um bei erhöhter Personenzahl den Luftwechsel anzupassen. Zusätzlich kann der Sollwert der Temperatur um ein definierbaren Offset z.B. -3K reduziert werden. Standardtemperatur Sollwert Offset -3 K. Aktiver Zeitraum einstellbar in Stunden.
	ABWESEND	Einstellung der Betriebsstufe von Zu- und Abluftventilator für die Anwenderfunktion Abwesend. Bei kürzerer Abwesenheit kann diese auf <b>NIEDRIG</b> eingestellt werden. Der <b>ECO-Modus</b> ist weiterhin aktiv. Aktiver Zeitraum einstellbar in Stunden.
	STOßLÜFTUNG	Einstellung der Betriebsstufe von Zu- und Abluftventilator für die Anwenderfunktion Stoßlüftung. Diese kann auf <b>hoch</b> eingestellt werden um einen schnellen Luftaustausch zu erzielen. Aktiver Zeitraum einstellbar in Minuten.
	KAMINOFEN	Einstellung der Betriebsstufe von Zu- und Abluftventilator für die Anwenderfunktion Kaminofen. Diese kann z.B. für den Zuluftventilator auf <b>HOCH</b> und den Abluftventilator auf <b>NIEDRIG</b> eingestellt werden. Dementsprechend wird mit einem Überdruck die Rauchabfuhr des Kaminofens über den Schornstein erleichtert. Aktiver Zeitraum einstellbar in Minuten.

Die Einstellungen aller Modi können im **Service / Konfiguration**-Menü geändert werden.

Temporäre Modi und Funktionen aktiv sind nur für einen bestimmten Zeitraum Zeit, nach der Beendigung und wechselt das Gerät wieder in einer ehemaligen **AUTO** oder im **MANUELL** Modus (je nachdem, welche war aktiv, bevor temporäre Modus oder Benutzer Funktion aktiviert wurde).

### 7.5.1.3 Digitale Eingangsfunktionen

Digitale Eingangsfunktionen sind immer aktiv, während der Digitaleingang aktiviert ist.

Symbol	Text	Beschreibung
	Zentralstaubsauger	Funktion setzt Geschwindigkeit des Zuluftventilators auf <b>hoch</b> Niveau und entlüftungsventilator zum <b>niedrig</b> Niveau, um Luftdruck innerhalb der Wohnung für bessere Staubansammlung durch zentralen Staubsauger zu erhöhen. Funktion kann über Digitaleingang aktiviert werden- Zentralstaubsauger aktiv.
	Dunstabzugshaube	Stellt die Geschwindigkeit des Zuluftventilators auf <b>hoch</b> -pegel ein und entlüftet Luftventilator auf <b>niedrig</b> Niveau, um Luftdruck innerhalb der Wohnung für besseres Luftfett und Dampfansammlung in der Küche zu erhöhen. Funktion kann über Digitaleingang aktiviert werden – Dunstabzugshaube aktiv.

### 7.5.1.4 Digitaleingabe und Modushierarchie

Benutzermodi und Funktionen haben eine andere Hierarchie. Benutzerfunktionen, die über HMI oder mobile APP aktiviert werden, wie zB **Abwesend**, **Party**, **Kaminofen**, **Urlaub** und **Stoßlüftung**, werden durch manuelle Auswahl der **AUTO** and **MANUELL**-Lüftermodi unterbrochen.

EIN Kaminofen Funktion hat die höchste Priorität zwischen Benutzerfunktionen. Andere Funktionen, die über HMI / APP aktiviert werden, können sich gegenseitig unterbrechen.

Wenn der Kaminofen-Funktion auf der Anschlussplatte fest verdrahtet und als Digitaleingang (DI) konfiguriert ist, hat sie eine höhere Priorität als der AUTO- und MANUELL-Modus. Der digitale Eingang für ein Kaminofen-Funktion hat auch eine höhere Priorität als andere festverdrahtete Digitaleingänge (DI) für: Abwesend, Zentralstaubsauger, Dunstabzugshaube, Party, Urlaub oder Stoßlüftung.

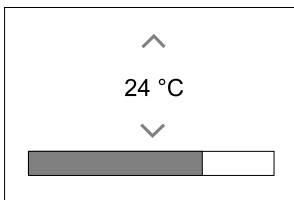
**Digitaleingabe und Modushierarchie:**

1. Externer Stopp
2. Kaminofen Funktion
3. Dunstabzugshaube, Zentralstaubsauger, Party, Stoßlüftung Funktionen
4. Abwesend, Party Funktionen

**7.5.2 Temperatureinstellungen**



Die Temperatur kann im Menü Temperatur einstellen auf dem Home-Bildschirm eingestellt werden, indem das TEMPERATURE-Symbol mit dem Temperatur-Symbol berührt wird. Der Standardtemperaturwert ist 18° C (Bereich 12-30 ° C).



Verwenden Sie die Pfeiltasten nach oben und nach unten oder einen Schieberegler, um den Wert zu ändern.

Mit OK werden die Änderungen bestätigt.

Temperatur den Sollwert für die Lufttemperatur im Raum, Zulufttemperatur oder für Ablufttemperatur je nachdem, welche Bedienmodus) aktiv ist. Voreinstellung ist Zulufttemperaturregelung.

Der Steuerungsmodus der Temperatur kann im Service / Konfiguration-menü geändert werden.

**7.5.2.1 ECO-Modus**



ECO-Modus ist eine Energiesparfunktion, die im Menü Temperatur einstellen aktiviert werden kann.

Die Funktion ECO-Modus ist nur verfügbar, wenn eine Nachheizregister installiert und in der Regelung aktiviert wurde.

Während derECO-Modus aktiv ist, wird ein Temperatursollwert, bei dem die Heizung aktiviert wird, verringert, um eine Aktivierung des Heizgerätes während der kalten Nacht zu vermeiden.

Wenn die Temperatur sehr niedrig ist und die Heizung nachts (auch bei abgesenktem Temperatursollwert) aktiviert wird, wird während der anstehenden Tageszeit die Innentemperatur mit dem Wärmetauscher erhöht, so dass die akkumulierte Wärme während der nächsten kalten Nachtzeit verwendet werden kann Abgesenktes Sollwert für die Heizung bleibt.

<b>ECO -Modus hat Auswirkungen auf die folgenden Benutzerfunktionen / Modi, wenn ausgewählt:</b>	<b>Der ECO-Modus wird immer durch folgende Modi aktiviert:</b>
<ul style="list-style-type: none"> <li>• AUTO-Modus</li> <li>• MANUELL Modus</li> <li>• Abwesend Modus</li> <li>• Urlaub Modus</li> <li>• Zentralstaubsauger Funktion</li> <li>• Dunstabzugshaube Funktion</li> <li>• Kaminofen Modus</li> </ul>	<ul style="list-style-type: none"> <li>• Abwesend Modus</li> <li>• Urlaub Modus</li> </ul>
	<b>Der ECO-Modus wird immer durch folgende Benutzerfunktionen / Modi deaktiviert:</b>

### 7.5.3 Luftstromeinstellungen

Die Luftstromeinstellungen sind nur im **MANUELL**-Modus verfügbar. Klicken Sie auf das Fan-Symbol auf dem Hauptbildschirm, um das Menü **Luftvolumenstrom einstellen** aufzurufen.



Verwenden Sie nach oben und nach unten Pfeile oder einen Schieberegler, um den Luftstromwert zu ändern.

Der Luftstrom kann in diesen Schritten eingestellt werden: **Aus/Niedrig/Normal/Hoch**. Diese Einstellungen steuern die Ausgangssignale an die Versorgungs- und Entlüftungsventilatoren.

#### Wichtig

Es wird **nicht** empfohlen, den Ventilator in Standardhaushalten **Aus**-zuschalten. Wenn der manuelle Lüfterstopp aktiviert ist, sollte das Gerät mit Dämpfern in Abgas- und Frischluftkanälen versehen werden, um kaltes Zugluft- und Kondensationsrisiko zu vermeiden, wenn das Gerät gestoppt wurde. Der Lüfter kann durch Aktivieren der **Manueller Ventilatorenstoppfunktion** im **Service / Konfiguration**-Menü auf **Aus** gesetzt werden.

### 7.5.4 Luftqualität (IAQ)



Die Einheit steuert automatisch die Raumfeuchtigkeit und / oder CO<sub>2</sub> Durch Einstellen der Luftstromeinstellung. Der Luftstrom wird erhöht, wenn die Luftqualität abnimmt.

Bedarfssteuerung-Funktion ist verantwortlich für IAQ (Innenluftqualität) Regulierung. Relative Luftfeuchtigkeit (RL) und/oder CO<sub>2</sub> Sensoren sind für die IAQ-Überwachung verantwortlich.

Innenluftqualität (IAQ) -Anzeige ist verfügbar, wenn **AUTO**-Modus und **Bedarfssteuerung**-Funktion aktiviert ist.

#### IAQ Ebenen:

- **sehr gut**: Der tatsächliche IAQ-Wert liegt unter dem niedrigen IAQ-Sollwert.
- **gut**: Der tatsächliche IAQ-Wert liegt zwischen niedrigen und hohen IAQ-Grenzwerten.
- **optimierbar**: Der tatsächliche IAQ-Wert liegt über dem hohen IAQ-Sollwert.

Für die **optimierbar** und **gut** IAQ-Stufen können im **Service / Konfiguration** menü verschiedene Luftstromeinstellungen eingestellt werden.

Sollwert für relative Feuchte und CO<sub>2</sub> Ebene kann im **Service / Konfiguration**-Menü eingestellt werden.

### 7.5.5 Statuszeile

Die Statuszeile, die sich im unteren Bereich des Startbildschirms befindet, zeigt Informationen über:



Liste der aktiven Alarme. Sehen Sie Kapitel 7.7.2.3 für weitere Informationen.



Liste der aktiven Benutzer Funktionen. Sehen Sie Kapitel 7.6 für weitere Informationen.

Wenn Sie irgendwelche dieser Zeilen berühren, werden Sie auf die nächste Seite mit detaillierterer Liste und Informationen über jeden Alarm oder eine aktive Benutzerfunktion verschoben.

## 7.6 Beschreibung der Benutzer Funktion Symbole

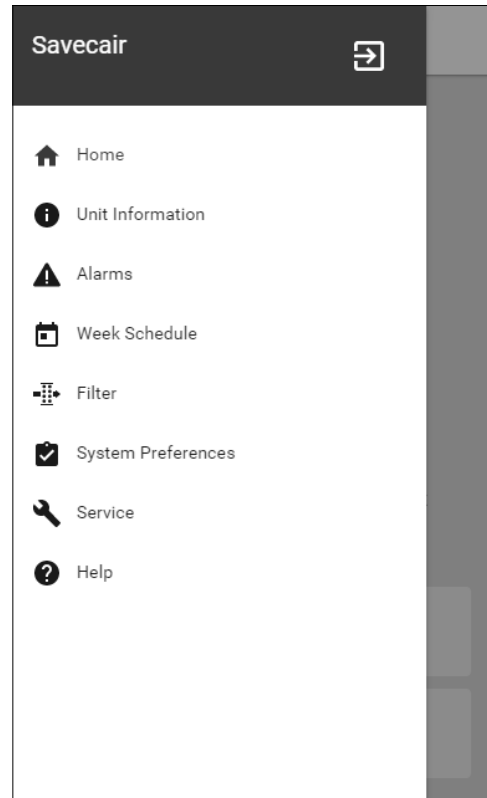
Symbol	Text	Beschreibung
	Erhitzer	Verbundene Heizung oder Vorwärmer ist aktiv und Luftheizung ist in Bearbeitung.
	Wärmerückgewinnung	Wärmerückgewinnung aus der Wohnung ist aktiv.
	Kühlung	Der angeschlossene Kühler ist aktiv und die Luftkühlung ist in Bearbeitung.
	Kälterückgewinnung	Die automatische Kühlwiederherstellung ist aktiv, wenn die Ablufttemperatur von der Wohnung niedriger als die Außenlufttemperatur ist und es einen Kühlbedarf gibt (der Temperatursollwert ist niedriger als die Außenlufttemperatur). Wenn die Außenlufttemperatur höher ist als dann die Raumlufttemperatur und es gibt einen Heizbedarf, Funktion <code>Free heating</code> wird stattdessen aktiviert.
	Freie Kühlung	Funktion verringert die Raumlufttemperatur, indem sie nur kühle Außenluft während der Nacht benutzt, um Energieverbrauch zu sparen.
	Regelung der Feuchteübertragung	Funktion steuert die Drehzahl des Wärmetauschers, um eine Feuchtigkeitsübertragung zu verhindern, um Luft durch hohe relative Feuchtigkeit in der Abluft zuzuführen. Funktion ist nur für Geräte mit <code>Rotationswärmeübertrager-Wärmetauscher</code> verfügbar.
	Abtauung	Funktion verhindert die Bildung des Eises auf dem Wärmetauscher bei kalten Außentemperaturen.
	Sekundärluft	Warmluft aus dem Wohnraum wird verwendet, um den Wärmetauscher mit einem Dämpfer im Außenluftkanal abzutauen. Die Einheit schaltet von Außenluft auf Sekundärluft, während der Abluftventilator stoppt und die Warmhaltezeit erhöht die Temperatur im Wärmetauscher.
	Zentralstaubsauger	Funktion setzt Geschwindigkeit des Zuluftventilators auf <code>Hoch</code> Niveau und entlüftungsventilator zum <code>Niedrig</code> Niveau, um Luftdruck innerhalb der Wohnung für bessere Staubansammlung durch zentralen Staubsauger zu erhöhen. Funktion kann über Digitaleingang aktiviert werden- <code>Zentralstaubsauger</code> aktiv. Immer aktiv, während der digitale Eingang aktiviert ist.
	Dunstabzugshaube	Stellt die Geschwindigkeit des Zuluftventilators auf <code>Hoch</code> -pegel ein und entlüftet Luftventilator auf <code>Niedrig</code> Niveau, um Luftdruck innerhalb der Wohnung für besseres Luftfett und Dampfansammlung in der Küche zu erhöhen. Wenn eine Dunstabzugshaube mit integriertem Ventilator verwendet wird, empfiehlt es sich, die Luftströmungsstufen beider Ventilatoren auf <code>Normal</code> zu stellen. Funktion kann über Digitaleingang aktiviert werden – <code>Dunstabzugshaube</code> aktiv. Immer aktiv, während der digitale Eingang aktiviert ist.
	Benutzersperre	Funktion zeigt an, dass das System mit einem Passwort gesperrt ist und nicht bearbeitet werden kann oder Einstellungen in irgendeiner Weise geändert werden. Das System muss zuerst entriegelt werden, um Änderungen vorzunehmen.



## 7.7 Hauptmenü



Benutzereinstellungen und erweiterte Einstellungen



### 7.7.1 Informationen zum Lüftungsgerät



Eine grundlegende schreibgeschützte Information über den Status des Gerätes, die konfigurierten Komponenten und die Ein-/Ausgänge.

#### 7.7.1.1 Regelungskomponenten

Typ und Einstellungen von Wärmetauscher, Heizung, Kühler, zusätzlicher Regler.

#### 7.7.1.2 Sensoren

Werte von Sensoren und Belastung der Ventilatoren (U/min).

#### 7.7.1.3 Eingänge

Status der konfigurierten analogen, digitalen und universellen Eingänge. Angeschlossener Komponententyp und Rohwert (Volt) werden angezeigt.

#### 7.7.1.4 Ausgänge

Status der konfigurierten analogen, digitalen und universellen Ausgänge. Angeschlossener Komponententyp und Wert (Volt) werden angezeigt.

#### 7.7.1.5 Version

Geräte-Modellname, Herstellernummer, Seriennummer und Geräte-Software-Versionen für Mainboard, HMI und IAM.

### 7.7.2 Alarme



Eine detaillierte Information über aktive Systemalarme und Alarmprotokoll der letzten 20 Ereignisse.

### 7.7.2.1 Aktive Alarme

Der Alarmbildschirm ist leer, wenn keine aktiven oder protokollierten Alarme vorhanden sind.

Drücken Sie die Taste **HILFE** auf den aktiven Alarm, um auf FAQ und Fehlerbehebung zuzugreifen (falls vorhanden). Drücken Sie die Taste **BESTÄTIGEN** auf den einzelnen Alarm, um ihn zu löschen. Je nach Alarmtyp und Ursache kann es notwendig sein, zuerst eine Fehlersuche durchzuführen, um den aktiven Alarm zu bestätigen.

Ein Alarm kann nicht gelöscht werden, wenn die Ursache nicht behoben wurde. Der Alarm wird sofort erneut signalisiert.

### 7.7.2.2 Alarmprotokoll

Das Alarmprotokoll enthält die letzten 20 Alarme.

Jeder Alarm enthält Informationen:

- Alarmname
- Datums- / Zeitstempel
- Information, wenn der Alarm das Gerät stoppt oder eine andere Anmerkung

### 7.7.2.3 Alarmliste

Alarmname	Erklärung	Mach Folgendes
Frostschutz	Frostschutz von Rücklaufwasser in Heizwendel. <ul style="list-style-type: none"> <li>• Der Alarm stoppt das Gerät und öffnet das Wasserventil vollständig.</li> </ul>	Der Alarm wird zurückgesetzt, sobald die Wassertemperatur 13 °° C erreicht. Überprüfen Sie die Wasserflüssigkeitstemperatur in der Heizwendel. Überprüfen Sie die Umwälzpumpe des Wassererhitzers. Wenden Sie sich an Ihren Installationsfirma oder Ort des Kaufs.
Frostschutztemperatursensor	Zeigt eine Fehlfunktion des Wassersensors an. <ul style="list-style-type: none"> <li>• Alarm stoppt die Einheit.</li> </ul>	Überprüfen Sie, ob der Frostschutz-Temperaturfühler richtig angeschlossen ist und das Kabel nicht beschädigt ist. Wenden Sie sich an Ihren Installationsfirma oder Ort des Kaufs.
Fehler Abtauung	Zeigt den Ausfall der Vorwärmer an, um die eingehende Außenluft vorzuwärmen (falls der Zusatzregler als Vorheizregister konfiguriert ist). <ul style="list-style-type: none"> <li>• Alarm stoppt die Einheit.</li> </ul>	Überprüfen Sie die Vorwärmer-Reset-Taste. Überprüfen Sie die Vorwärmerverschaltung. Wenden Sie sich an Ihren Installationsfirma oder Ort des Kaufs. Der Auftaufehler kann durch extrem niedrige Außenlufttemperaturen oder Vorwärmerausfall verursacht werden.
Zuluftventilator UpM	Die Drehzahl des Zuluftgebläses ist geringer als die Mindestanforderungen. Lüfterfehler. <ul style="list-style-type: none"> <li>• Alarm stoppt die Einheit.</li> </ul>	Schnellverbinder des Ventilators prüfen. Wenden Sie sich an Ihren Installationsfirma oder Ort des Kaufs.
Abluftventilator UpM	Die Rotationsgeschwindigkeit des Abluftgebläses ist niedriger als die Mindestanforderungen. Lüfterfehler. <ul style="list-style-type: none"> <li>• Alarm stoppt die Einheit.</li> </ul>	Schnellverbinder des Ventilators prüfen. Wenden Sie sich an Ihren Installationsfirma oder Ort des Kaufs.
Zuluftventilator Regelfehler	Durchfluss- oder Druckalarm für Zuluft. Der Druck liegt unterhalb der Druckgrenze. <ul style="list-style-type: none"> <li>• Alarm stoppt die Einheit.</li> </ul>	Überprüfen Sie, ob der Luftschauch für den Drucksensor richtig angeschlossen ist und das Kabel nicht beschädigt ist. Wenden Sie sich an Ihren Installationsfirma oder Ort des Kaufs.

Alarmname	Erklärung	Mach Folgendes
Abluftventilator Regelfehler	Durchfluss- oder Druckalarm für Abluft. Der Druck liegt unterhalb der Druckgrenze. <ul style="list-style-type: none"> <li>Alarm stoppt die Einheit.</li> </ul>	Überprüfen Sie, ob der Luftschlauch für den Drucksensor richtig angeschlossen ist und das Kabel nicht beschädigt ist. Wenden Sie sich an Ihren Installationsfirma oder Ort des Kaufs.
Feueralarm	Feueralarm ist aktiv. <ul style="list-style-type: none"> <li>Alarm stoppt die Einheit.</li> </ul>	Sobald der externe Feuermelder deaktiviert ist, muss der Alarm quittiert und neu gestartet werden.
Sicherheitstemperaturbegrenzer	Zeigt einen ausgelösten Überhitzungsschutz an (bei installierter elektrischer Nachheizbatterie).	Ein ausgelöster manueller oder automatischer Überhitzungsschutz (EMT) gibt einen Alarm im Bedienfeld. Falls ein manueller Überhitzungsschutz ausgelöst wird, setzen Sie ihn durch Drücken der Reset-Taste zurück. Wenn der automatische Überhitzungsschutz ausgelöst wird, wird er automatisch zurückgesetzt, sobald die Temperatur abgefallen ist. Wenn das Problem weiterhin besteht, wenden Sie sich an Ihren Installationsfirma oder Ort des Kaufs.
Bypassklappe	Zeigt eine Störung des Bypass-Dämpfers an.	Trennen Sie die Netzspannung für 10 Sekunden, um die Steuerfunktion zurückzusetzen. Schalten Sie das Gerät ein, ein automatischer Bypass-Dämpfer-Test wird durchgeführt. Wenn der Alarm nach ca. 2 Minuten wieder auftritt, wenden Sie sich an Ihren Installationsfirma oder Ort des Kaufs.
Rotorüberwachung	Zeigt eine Rotorfehlfunktion an. Kein Drehschutz für 180 Sekunden.	Wenn der rotierende Wärmetauscher gestoppt hat. Rotorband prüfen. Wenn sich der Wärmetauscher noch dreht, ist zu prüfen, ob der Schnellverbinder für den Sensor angeschlossen ist und ein Luftspalt von 5-10 mm zwischen Sensor und Magnet vorhanden ist. Stellen Sie ggf. die Lücke ein. Wenn der Alarm weiterhin besteht, kann der Rotorsensor defekt sein. Wenden Sie sich an Ihren Installationsfirma oder Ort des Kaufs.
Sekundärluftklappe	Sekundärluftabtauung fehlgeschlagen Außenlufttemperatursensor misst <10° C in 2 Sek nach dem Abtauen ODER Außenlufttemperatursensor misst <5° C in 5 Min nach dem Auftauen	Überprüfen Sie, ob der Sekundärluftklappe in der richtigen Position ist. Überprüfen Sie, ob der Dämpfer richtig angeschlossen ist und das Kabel nicht beschädigt ist. Wenden Sie sich an Ihren Installationsfirma oder Ort des Kaufs.
Außentemperatursensor	Zeigt die Störung des Außenlufttemperatursensors an.	Überprüfen Sie, ob der Sensor ordnungsgemäß angeschlossen ist und das Kabel nicht beschädigt ist. Wenden Sie sich an Ihren Installationsfirma oder Ort des Kaufs.

Alarmname	Erklärung	Mach Folgendes
Überhitzungstemperatur	Zeigt die Störung des Überhitzungstemperatursensors an.	Überprüfen Sie, ob der Sensor ordnungsgemäß angeschlossen ist und das Kabel nicht beschädigt ist. Wenden Sie sich an Ihren Installationsfirma oder Ort des Kaufs.
Zulufttemperatursensor	Zeigt die Störung des Zulufttemperatursensors an.	Überprüfen Sie, ob der Sensor ordnungsgemäß angeschlossen ist und das Kabel nicht beschädigt ist. Wenden Sie sich an Ihren Installationsfirma oder Ort des Kaufs.
Raumlufttemperatursensor	Zeigt die Störung des Raumlufttemperatursensors an.	Überprüfen Sie, ob der Sensor ordnungsgemäß angeschlossen ist und das Kabel nicht beschädigt ist. Wenden Sie sich an Ihren Installationsfirma oder Ort des Kaufs.
Ablufttemperatursensor	Zeigt die Fehlfunktion des Ablufttemperatursensors an.	Überprüfen Sie, ob der Sensor ordnungsgemäß angeschlossen ist und das Kabel nicht beschädigt ist. Wenden Sie sich an Ihren Installationsfirma oder Ort des Kaufs.
Zusatzreglertemperatur	Zeigt zusätzliche Störung des Reglertemperatursensors an.	Überprüfen Sie, ob der Sensor ordnungsgemäß angeschlossen ist und das Kabel nicht beschädigt ist. Wenden Sie sich an Ihren Installationsfirma oder Ort des Kaufs.
Effizienztemperatursensor	Zeigt die Störung des Effizienz-Temperatursensors an.	Überprüfen Sie, ob der Sensor ordnungsgemäß angeschlossen ist und das Kabel nicht beschädigt ist. Wenden Sie sich an Ihren Installationsfirma oder Ort des Kaufs.
PDM RH	Zeigt die Fehlfunktion des internen relativen Feuchtigkeitssensors an. Aktiv: gemessene Feuchtigkeit = 0% Rückgabe: gemessene Feuchtigkeit > 5%	Überprüfen Sie, ob der Sensor ordnungsgemäß angeschlossen ist und das Kabel nicht beschädigt ist. Wenden Sie sich an Ihren Installationsfirma oder Ort des Kaufs.
PDM RH Extract air temperature	Zeigt die Fehlfunktion des internen Ablufttemperatursensors an. Aktiv: gemessene Temperatur = 0° C Rückkehr: gemessene Temperatur > 5 °C	Überprüfen Sie, ob der Sensor ordnungsgemäß angeschlossen ist und das Kabel nicht beschädigt ist. Wenden Sie sich an Ihren Installationsfirma oder Ort des Kaufs.
Filter	Zeit für Filterwechsel.	Change the filter. Filter nach den Anweisungen im Benutzerhandbuch wechseln. Details zu den Filterhändlern finden Sie im Hilfemenü.
Alarm Zusatzrelger	Error from external device.	Überprüfen Sie, ob das externe Gerät ordnungsgemäß angeschlossen ist und das Kabel nicht beschädigt ist. Reset Überhitzungsschutz auf Elektro-Vorwärmer. Wenden Sie sich an Ihren Installationsfirma oder Ort des Kaufs.
Externer Stopp	Einheit wird durch externes Signal gestoppt.	Der Betrieb wird durch ein digitales Signal von einem externen Ferngerät oder Signal vom Gebäudeverwaltungssystem gestoppt.

Alarmname	Erklärung	Mach Folgendes
Manueller ventilatorenstopp aktiv	Betrieb gestoppt, Ventilatoren sind im manuellen Modus und als Ausgewählt.	Wählen Sie im HMI-Startbildschirm eine weitere Geschwindigkeit der Lüfter (Niedrig/ NORMAL/ Hoch) oder AUTO-Modus.
Überhitzungstemperatur	Temperature after reheater is too high. Aktiv: (Überhitzung Temperaturfühler misst > 55 °C) Ist zurückgekommen: (Überhitzung Temperaturfühler misst <50 °C)	Alarm ist möglich, wenn der Zuluftstrom zu niedrig ist, wenn der Überhitzer eingeschaltet ist. Überprüfen Sie den Zuluftstrom. Überprüfen Sie, ob das Einlassgitter nicht blockiert ist. Überprüfen Sie, dass die Absperrklappe für die Außenluft im Betrieb geöffnet ist. Wenden Sie sich an Ihren Installationsfirma oder Ort des Kaufs.
Niedrige Zulufttemperatur	Die Zulufttemperatur ist zu niedrig. Aktiv: (Außenlufttemperaturfühler misst <0° C) <b>und</b> (Zulufttemperaturfühler misst <5° C) Ist zurückgekommen: (Zulufttemperaturfühler misst > 10° C)	Überprüfen Sie den Wärmetauscher und reheizen Sie oder verweisen Sie auf Punkt 2 im Menü "Fehlersuche".
CO <sub>2</sub>	Externes CO <sub>2</sub> Sensor-Fehlfunktion.	Überprüfen Sie, ob der Sensor ordnungsgemäß angeschlossen ist und das Kabel nicht beschädigt ist. Falls Sensor drahtlos ist - den RS485-Gateway-Status und den Sensorstatus im HMI überprüfen. Wenden Sie sich an Ihren Installationsfirma oder Ort des Kaufs.
RH	Externer relativer Feuchtigkeitssensor Fehlfunktion.	Überprüfen Sie, ob der Sensor ordnungsgemäß angeschlossen ist und das Kabel nicht beschädigt ist. Falls Sensor drahtlos ist - den RS485-Gateway-Status und den Sensorstatus im HMI überprüfen. Wenden Sie sich an Ihren Installationsfirma oder Ort des Kaufs.
Ausgang in Handbetrieb (manuell)	Ein oder mehrere analoge Ausgänge befinden sich im Handbetrieb.	Überprüfen Sie das Service-Menü für die Ausgabeeinstellungen und überprüfen Sie alle konfigurierten Ausgänge im Auto-Modus. Wenn irgendwelche Ausgänge in Manuell - zurück in den Auto-Modus wechseln.

Der Alarm `Feueralarm` kann nur über einen digitalen Eingang aktiviert werden. Dieser dient zur Anbindung von einem Rauchmelder oder Brandmeldeanlage. Der Digitaleingang muss als `Feueralarm` konfiguriert sein.

Der als `Sammealarm` konfigurierte digitale Ausgang wird aktiviert sobald ein Alarm ansteht. Eine Klassifizierung der Alarmkategorie ist nicht möglich.

### 7.7.3 Wochenprogramm



Das Gerät kann so konfiguriert werden, dass es bei festgelegten Luftmengen bis zu zwei Zeitperioden (00: 00-23: 59) an benutzerdefinierten Tagen arbeitet. Wochenprogramm ist nur aktiv bei der AUTO Modus.

### 7.7.3.1 Planen Sie die Luftstromeinstellungen

Tippen Sie auf das Symbol Einstellungen, um zum Menü **Luftvolumenstromeinstellungen** bearbeiten zu gelangen. In diesem Menü wird der Luftstrom für geplante und außerplanmäßige Zeiträume eingestellt. Verfügbaren Ebenen: Aus, Niedrig, Normal, Hoch oder Bedarf. Stellen Sie den Temperatursollwert für beide Perioden ein (-10°C - 0°C).



Die **Bedarf** ist nur verfügbar, wenn die **Bedarfssteuerung** oder die **externe Ansteuerung Lüfterfunktion** aktiv ist.

### 7.7.3.2 Zeitplan bearbeiten



Tippen Sie auf das Symbol in der unteren linken Ecke des Bildschirms, um einen neuen Zeitplan hinzuzufügen, oder drücken Sie die **Bearbeiten**-Taste, um den bereits hinzugefügten Zeitplan zu ändern.

So konfigurieren Sie den Zeitplan:

1. Stellen Sie die Zeit ein. Berühren Sie die **Startzeit**- oder **Endzeit**-Werte, um die Zeit zu ändern. Verwenden Sie Pfeiltasten **▲** und **▼** Den Wert erhöhen oder verringern. Bestätigen Sie mit der **OK**-Taste.



#### Hinweis!

Geplante Zeit kann beginnen, aber nie enden um Mitternacht (00:00). Die letzte **Endzeit** Periode ist 23:59. Geplante Zeit kann nicht zum nächsten Tag gehen. Das 12 oder 24 Stunden Zeitformat kann im Menü **Systemeinstellungen** geändert werden.

Gegebenenfalls den zweiten geplanten Zeitraum aktivieren und die Zeit einstellen.

2. Sobald die Zeit eingestellt ist, klicken Sie auf den Tag (en), wenn der Zeitplan aktiv sein soll. Es ist möglich, für jeden Tag einen separaten Zeitplan festzulegen.

Bereits geplante Tage stehen für neue Zeitpläne nicht zur Auswahl.

3. Termin mit **OK** bestätigen.

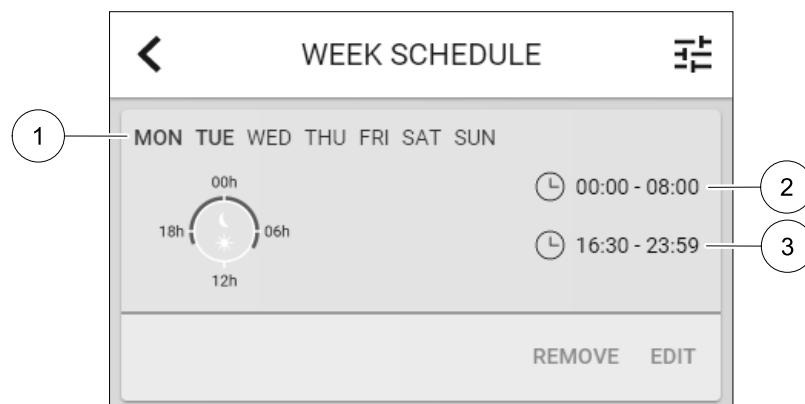
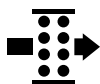


Bild 6 Wochenplan Beispiel

Geplante Tage werden hervorgehoben (Pos. 1). Erste Zeitdauer (Pos. 2) und die zweite Zeitraum (Pos. 3) sind auf der rechten Seite jedes Zeitplans dargestellt.

### 7.7.4 Filter



In diesem Menü wird die verbleibende Zeit (in Monaten) bis zum Filterwechsel angezeigt. Die Bearbeitung ist durch ein Passwort gesperrt. Verwenden Sie das Administratorpasswort. Weitere Informationen finden Sie unter **Passworteinstellungen** im **Service / Konfiguration**-Menü.

Setzen Sie die Dauer bis zum nächsten Filterwechsel für einen Zeitraum von 3-15 Monaten in Schritten von 1 Monat. Die Standardeinstellung beträgt 12 Monate.

Wenn eine neue Filterperiode eingestellt oder ein Filteralarm quittiert wird, wird der Timer zurückgesetzt und beginnt von Anfang an zu zählen.

Informationen, welche Filtertypen für die Änderung benötigt werden oder wo ein neuer Filter zu bestellen ist, finden Sie im **Help**-menü.

### 7.7.5 Systemeinstellungen



Konfiguration von Standort, Sprache und Uhrzeit des Geräts.

Ändern Sie die folgenden Informationen:

- Sprache (Standardsprache ist Englisch)
- Land (Standardland ist Großbritannien)
- Geräteadresse (Adresse, Postleitzahl)
- Datum und Uhrzeit des Geräts, Sommer- / Winterzeitumschaltung aktivieren oder deaktivieren.

Die Uhrzeit wechselt automatisch zwischen Sommerzeit und Winterzeit nach europäischem Standard, basierend auf der Greenwich-Zeitzone und dem Standort des Geräts.

Umschalten zwischen 12 und 24 Stunden Zeitformat.

- Kontaktinformationen: Auftragnehmer, Installateur, Service, Telefon, Website, E-Mail etc.
- Anzeigeeinstellungen: Bildschirmhelligkeit und Bildschirmverhalten im Standby-Modus.

### 7.7.6 Service / Konfiguration



Alle Geräteparameter und Einstellungen können im *Service / Konfiguration* Menü geändert werden.

Das *Service / Konfiguration*-Menü ist standardmäßig gesperrt und es muss ein Passwort eingegeben werden (Standardpasswort ist 1111).

#### 7.7.6.1 Input



Konfiguration der Eingänge

Analoge, digitale und universelle Eingänge auf der Hauptplatine oder außenliegenden Anschlussbox können als Funktionen konfiguriert werden.

#### Tabelle 2 Funktionen die als digitale oder universale Eingänge ausgewählt werden können.

Funktion des Eingangs	Aktivierung der Funktion
Zentralstaubsauger	Aktivierung der Funktion Zentralstaubsauger
Funktion Dunstabzugshaube	Aktivierung der Funktion Dunstabzugshaube
Externer Stopp	Das Lüftungsgerät wird durch ein externes Signal gestoppt.
Alarm Zusatzregler	Alarmanzeige der Funktion Zusatzregler. Dieser kann in Kombination mit einem Kühlregister, Vorheizregister oder zusätzlichem Heizregister verwendet werden.
Change-over feedback	Wird in Kombination mit einem reversiblen Heiz-/Kühlregister verwendet. Übermittlung der Information, ob warmes oder kaltes Medium ansteht.
Feueralarm	Das Lüftungsgerät wird gestoppt. Dieser Alarm muss an der Bedieneinheit bestätigt werden, damit das Gerät wieder anläuft. Geeignet zur Anbindung von Rauchmeldern oder Brandmeldeanlagen.

Relative Feuchte- und Drehzahlensignale von Ventilatoren sind bereits an spezifische Klemmen voradressiert und können nicht geändert werden, alle anderen Eingänge sind mit der Inbetriebnahme frei für die Konfiguration. Eingaben können für jeden Zweck verwendet werden.

Digitale Eingänge sind durch Signaltyp und physikalische Anzahl von Verbindungen beschränkt. Eine Eingabefunktion darf nur einmal verwendet werden.

Universal-Eingang (UI), der als universeller Analogeingang (UAI) konfiguriert ist, kann für mehrere Eingänge konfiguriert werden, da mehrere Sensoren desselben Typs verwendet werden können. Universal-Analogeingänge (UAI) haben nur Auswahlen für RH Sensor (RH), CO<sub>2</sub> Sensor (CO<sub>2</sub>), Zuluftventilatorsteuerung (SAFC) und Abluftventilatorsteuerung (EAFC) verdrahtete Konfigurationen.

Analogeingang (AI) Temperatursensoren dürfen nicht mehrmals konfiguriert werden.

Der bereits verwendete und konfigurierte Eingangssignaltyp ist ausgegraut und steht nicht zur Auswahl. Allerdings haben einige Benutzerfunktionen, die sich auf die Konfiguration des digitalen Eingangs (ABWESEND, PARTY, KAMINOFEN, URLAUB oder STOSSLÜFTUNG) beziehen, über HMI/APP/Wireless/Modbus (BMS) mehrere mögliche Aktivierungspunkte.

Digitale Eingänge können so konfiguriert werden, dass sie normal offen sind (Normalerweise offen (NO)) oder (Normalerweise geschlossen (NC)). Die Standardeinstellung ist Normalerweise offen (NO). Nicht verfügbar für drahtlose Eingänge.

Der PDM (Pulsdichte Modulation) Eingang für den relative Feuchte (RH) Sensor auf der Hauptplatine ist voradressiert und kann nicht geändert werden.

**Tabelle 3 Übersicht über die Eingangskonfiguration**

Analoge Eingänge	Digitale Eingänge	Universal-Analogeingänge	Universal-Digitaleingänge
Eingabetyp Wert Kompensation	Eingabetyp Polarität: Wert	Eingabetyp Analogart Wert	Eingabetyp Digitale Art Polarität: Wert

**7.7.6.2 Ausgänge**



Konfiguration der Ausgänge.

Einstellungen für analoge, digitale und universelle Ausgangsklemmen auf der Hauptplatine und Anschlussplatine, Konfiguration der Funktionalität.

**Tabelle 4 Verfügbare digitale Ausgänge**

Stufenregler Erhitze, Kühler oder Zusatzregler	Digitale Freigabe (EIN/AUS) Erhitze, Kühler oder Zusatzregler.
Sammelalarm	Ein Alarm ist aktiv.
Außen-/Fortluftklappe	Ansteuerung der Außen- und Fortluftklappe.
Sekundärluft	Ansteuerung der Sekundärluftklappe.
Kühler aktiv	Anforderung der Kühlung aktiv.
Externe Ventilatoransteuerung gesperrt	Die externe Ventilatoransteuerung ist derzeit nicht möglich. (z.B. bei aktivierter Abtauerung).
Start/Stoppe Pumpe für Erhitze, Kühler oder Zusatzregler	Start/Stoppe-Signal an die Sekundärpumpe des Reglers Erhitze, Kühler oder Zusatzregler

Lüfterausgang PWM (Pulsweitenmodulation) Signal und Triac-Ausgang sind bereits auf spezifische Klemmen voradressiert und können nicht verändert werden; alle anderen Ausgänge sind mit der Inbetriebnahme für die Konfiguration frei. Ausgänge sind für jeden Zweck frei.

Digitale Ausgänge sind durch Signaltyp und physikalische Anzahl von Verbindungen begrenzt.

Eine Ausgabefunktion darf nur einmal verwendet werden. Das bereits verwendete und konfigurierte Terminal ist im Menü für die Ausgabetyppauswahl grau dargestellt.

Analoge und digitale Ausgänge haben die Möglichkeit im Auto oder Hand-Betrieb aktiviert zu werden. Im Hand Betrieb wird ein auswählbarer fixer Wert ausgegeben. Achtung, der Handbetrieb dient nur zur Funktionsprüfung. Im Normalbetrieb müssen alle Ausgänge auf Auto eingestellt sein.

Der Hand-Betrieb überschreibt alle systembezogenen automatischen Funktionen. Der einstellbare Regelbereich der analogen Ausgänge liegt zwischen 0V und 10V. Bei den digitalen Ausgänge steht die Wahl zwischen An/Aus zur Verfügung.



**Tabelle 5 Übersicht über die Konfiguration der Ausgänge**

Analoge Ausgänge	Digitale Ausgänge
Ausgangsart Hand/Auto Wert	Ausgangsart Hand/Auto Wert

**7.7.6.3 Regelungskomponenten**

Konfiguration der angeschlossenen Komponenten.

**Wärmerückgewinnung**

- Wählen Sie den Wärmetauscher-Typ.  
Verfügbare Typen: Rotationswärmeübertrager / Plattenwärmeübertrager
- Aktivieren oder deaktivieren Sie die Passivhausfunktion, wenn der Wärmetauscher Typ Rotationswärmeübertrager ausgewählt ist.  
Optionen: Ja / Nein.
- Bypass-Dämpfer-Position wählen, wenn Wärmetauscher-Typ Plattenwärmeübertrager ausgewählt ist. Die Standardeinstellung basiert auf dem Gerätetyp.  
Außenluft - Zuluft / Abluft- Fortluft
- Stellantrieb einstellen. Die Standardeinstellung basiert auf dem Gerätetyp.  
Ansteuerung: 0-10 V / 2-10 V / 10-0 V / 10-2 V.

**Erhitzer**

- Wählen Sie den Heizungstyp. Jede Auswahl entriegelt zusätzliche Konfigurationsoptionen. Die Standardeinstellung basiert auf dem Gerätetyp.  
Verfügbare Typen: Kein Erhitzer / Elektrisch / Wasser / Change-over.
- Stellantrieb einstellen. Der Standardwert ist 0-10 V.  
Ansteuerung: 0-10 V / 2-10 V / 10-0 V / 10-2 V.
- Temperatur Start Erhitzerpumpe einstellen. Die Voreinstellung ist 10° C. Diese Option ist verfügbar, wenn ein Wasser / Change-over Heizgerät-Typ ausgewählt ist.  
Ansteuerung: 0-20°C.
- Ausschaltverzögerung der Erhitzerpumpe einstellen Die Voreinstellung ist 5 Minuten. Diese Option ist verfügbar, wenn ein Wasser / Change-over Heizgerät-Typ ausgewählt ist.  
Ansteuerung: Off / 1-60 min.

**Kühler**

- Wählen Sie den Kühler-Typ. Jede Auswahl entriegelt zusätzliche Konfigurationsoptionen. Die Standardeinstellung ist Kein Kühler.  
Verfügbare Typen: Kein Kühler / Wasser / Change-over.
- Zwischenluftverriegelung einstellen. Die Voreinstellung ist 10° C.  
Ansteuerung: 0-20°C.
- Stellantrieb einstellen. Der Standardwert ist 0-10 V  
Ansteuerung: 0-10 V / 2-10 V / 10-0 V / 10-2 V.
- Ausschaltverzögerung der Erhitzerpumpe einstellen Die Voreinstellung ist 5 Minuten. Diese Option ist verfügbar, wenn ein Wasser / Change-over Heizgerät-Typ ausgewählt ist.  
Ansteuerung: Off / 1-60 min.

**Zusatzregler**

- Wählen Sie einen zusätzlichen Controller-Typ. Jede Auswahl entriegelt zusätzliche Konfigurationsoptionen. Die Standardeinstellung ist Kein Zusatzregler.  
Verfügbare Typen: Kein Zusatzregler / Vorheizregister / Erhitzer / Kühler.
- Stellen Sie den Temperatursollwert des zusätzlichen Reglers ein. Der Standardwert ist 0°C.

- Spanne: -30°C – 40°C.
- P-Band einstellen Die Voreinstellung ist 4°C.  
Ansteuerung: 1-60°C.
- I-Zeit einstellen. Die Standardeinstellung ist off.  
Ansteuerung: off / 1-240 Sek.
- Stellantrieb einstellen. Der Standardwert ist 0-10 V.  
Ansteuerung: 0-10 V / 2-10 V / 10-0 V / 10-2 V.
- Einstellen der Starttemperatur für die Erhitzerpumpe. Die Voreinstellung ist 0°C. Diese Option ist verfügbar, wenn ein Vorheizregister aktiviert wurde.  
Ansteuerung: 0-20°C.
- Ausschaltverzögerung der Erhitzerpumpe einstellen Die Voreinstellung ist 5 Minuten.  
Ansteuerung: off / 1-60 min.

### 7.7.6.4 Regelungsfunktionen



Konfigurieren Sie, wie das System gesteuert wird.

#### Temperaturregelung

- Konfigurieren des Temperaturreglers Steuerungsmodus wählen:  
Verfügbare Modi: Zulufttemperaturregelung / Raumtemperaturregelung / Ablufttemperaturregelung
- Temperatureinheit wählen. Die Standardeinstellung ist Celsius.  
Verfügbare Einheiten: Celsius / Fahrenheit
- P-Band einstellen Die Voreinstellung ist 20 °C. I-Zeit einstellen. Die Standardeinstellung ist 100 Sek.
- Konfigurieren Sie SATC-split für Heizgeräte (0-20%), Wärmetauscher (25-60%) und Kühler (65-100%) Ausgabeeinstellungen. Ansteuerung: 0- 100 %.
- Konfigurieren Sie den Kaskadenregelungssollwert für die Min / Max-Zulufttemperatur, P-Band, I-Zeit.  
Nur verfügbar für die Modi Raumtemperaturregelung / Ablufttemperaturregelung.

#### ECO-Modus

- Einstellungen für den ECO-Modus. Offset für das Nachheizregister festlegen. Die Voreinstellung ist 5°C.  
Ansteuerung: 0-10°C.

#### Ventilatorsteuerung

- Konfigurieren von Luftstrom- und Lüftereinstellungen. Wahl des Art der Ventilatorsteuerung. Die Standardeinstellung ist Manual(%).  
Verfügbare Typen: Manuell (%) / RPM (UpM) / Volumenkonstant (CAV) / Druckkonstant (VAV) / Externe Ansteuerung

Einstellung	Manuell	RPM (UpM)	Volumenkonstant (CAV)	Druckkonstant (VAV)	Externe Ansteuerung
Einheit Luftstrom.	%	U/min	l/s, m³/h, cfm	Pa	%
P-Band	-	0-3000 U/min	0-500 Pa Standardeinstellung: 150 Pa		-
I-Zeit:	-	off / 1-240 Sek. Standardeinstellung: 5 Sek.	off / 1-240 Sek. Standardeinstellung: 5 Sek.		-

Einstellung	Manuell	RPM (UpM)	Volumenkonstant (CAV)	Druckkonstant (VAV)	Externe Ansteuerung
Luftmengeneinstellung der Betriebsstufen: MAXIMUM, HOCH, NORMAL, NIEDRIG, MINIMUM	16-100%	500-5000 U/min	Sensorbereich (Luftstromeinheit)		0-100%
Manueller Ventilatorstopp – Ein- und Ausschalten des manuellen Ventilatorstopp. Diese Funktion ermöglicht die Ventilatoren über die Bedieneinheit zu stoppen. Die Standardeinstellung ist Aus.					
Drucksensoren – Einstellung Regelbereich der Drucksensoren Stellen Sie den Wert ein, bei dem der Lüfteralarm auftritt. Die Standardeinstellung ist None	-	-	Zuluftventilator-Steuersensor: Druck bei 0V: 0-500 Pa, Standardeinstellung 0 Pa Druck bei 10V: 0-2500 Pa, Standardeinstellung 500 Pa. Abluftventilator-Steuersensor: Druck bei 0V: 0-500 Pa, Standardeinstellung 0 Pa. Druck bei 10V: 0-2500 Pa, Standardeinstellung 500 Pa		-
K-Faktor für Zuluftventilator und Abluftventilator einstellen. Die Standardeinstellungen basieren auf dem Gerätetyp.	-	-	SAF K-Faktor (Zuluftventilator) Bereich: 0-1000 EAF K-Faktor (Abluftventilator) Bereich: 0-1000	-	-
Außentemperaturkompensation	Die Verwendung dieser Funktion ist es die Luftmenge bei kalten Außentemperaturen zu reduzieren um weiterhin eine hohe Zulufttemperatur zu erzielen. Des weiteren kann das Risiko des Anfriern der Wärmerückgewinnung reduziert werden. Die Kompensation kann auf den Zuluftventilator oder auf den Zu- und Abluftventilator wirken. Bitte beachten, ob die Betriebsweise Disbalance (Unterdruck) erlaubt ist. Funktion reduziert die Drehzahl des Ventilators linear um einen in Stoppkompensationswert (Bereich: -50% bis 0%, Default 0 °C) eingestellten Wert von einer festen Außenlufttemperatur von 0 °C auf die in Stoppkompensationstemperatur (Bereich: -25 °C bis 0 °C, Default 0 °C). Bei Geräten mit Plattenwärmetauscher wird empfohlen, den Wert der Stoppkompensation auf -20% und den Wert der Stoppkompensationstemperatur auf -5 °C einzustellen. Bei Geräten mit Rotationswärmetauscher wird empfohlen, den Wert der Stoppkompensation auf -30% und den Wert der Stoppkompensationstemperatur auf -25 °C einzustellen.				

### Wichtig

Das Ändern des Luftstrom-Typs ändert nicht automatisch den P-Band-Wert. Der P-Band-Wert muss nach dem Ändern des Luftstrom-Typs manuell geändert werden.

#### Demand Control

Einstellungen der Luftqualitätssensoren. Sobald der Sensor konfiguriert ist, wird die **Bedarfssteuerung** -Funktion aktiviert, indem Sie im Startbildschirm den **AUTO**-Modus wählen.

- Aktivieren oder Deaktivieren des CO<sub>2</sub> Sensors. Die Standardeinstellung ist nicht verbunden.  
Sollwert des CO<sub>2</sub> Sensors einstellen. Die Standardeinstellung (Sollwert) beträgt 800 ppm (Teile pro Million in der Atmosphäre). Normales atmosphärisches CO<sub>2</sub> Konzentration beträgt 400 ppm. Ansteuerung: 100-2000 ppm.  
P-Band setzen, Voreinstellung ist 200 ppm. Ansteuerung: 50-2000 ppm.  
I-Zeit einstellen, Voreinstellung ist aus. Ansteuerung: 0££/1-120 Sek.
- RH-Sensor aktivieren oder deaktivieren Die Standardeinstellung ist nicht verbunden.  
Stellen Sie den Feuchtigkeitssollwert im Sommer ein, die Standardeinstellung beträgt 60%. Ansteuerung: 1-100 %.

Stellen Sie den Feuchtigkeitsollwert im Winter ein, die Standardeinstellung beträgt 50%. Ansteuerung: 1-100 %.

P-Band einstellen, die Standardeinstellung ist 10%. Ansteuerung: 1-100 %.

I-Zeit einstellen, die Standardeinstellung ist `off`, Spanne: `off`/1-120 Sek.

- Wählen Sie die Betriebsstufe für die `optimierbare Luftqualität`. Auswahl: `Normal` / `Hoch` / `Maximum`.
- Wählen Sie die Betriebsstufe für die `gute Luftqualität`. Ansteuerung: `Niedrig` / `Normal`.

### Regelung der Feuchteübertragung



#### Hinweis!

Die Einstellung ist möglich, wenn die Wärmerückgewinnung `Rotationswärmeübertrager` ausgewählt ist. Es wird dringend empfohlen, die Standardwerte für P-Band und I-Zeit nicht zu verändern. Sie sollten nur vom Installateur und geschultem Personal geändert werden.

- Aktivieren oder deaktivieren Sie die relative Feuchtigkeitsübertragungsfunktionalität. Die Standardeinstellung ist `on`.
- Wenn `Feuchteübertragung` aktiviert ist, konfigurieren Sie:  
Sollwert, Voreinstellung 45% Luftfeuchtigkeit. Ansteuerung: 1-100% RH.  
P-Band einstellen, die Standardeinstellung ist 4g/kg. Ansteuerung: 1-100g/kg.  
I-Zeit einstellen, die Standardeinstellung ist `off`. Ansteuerung: `off`/1-120 Sek.

### Abtauung Plattenwärmeübertrager



#### Hinweis!

Die Einstellung ist möglich, wenn die Wärmerückgewinnung `Plattenwärmeübertrager` ausgewählt ist.

Das Gerät ist mit einer automatischen Enteisungsfunktion ausgestattet, die aktiviert wird, wenn Vereisungsgefahr im Bereich um den Wärmetauscher besteht.

- Wählen Sie der Enteisungsmodus. Die Standardeinstellung ist `Normal`.

Schwach	Trockene Gebäude mit geringer Personenzahl, wie z.B. Lagerhallen.
Normal	Wohnungen oder Häuser mit normaler Feuchtigkeit <sup>1</sup>
Stark	Gebäude mit sehr hohem Feuchtigkeitsniveau.

<sup>1</sup> *In neu errichteten Häusern kann in der ersten Winterperiode ein höheres Enteisungsniveau notwendig sein.*

- Bypass-Position einstellen. Die Standardeinstellung basiert auf der Gerätekonfiguration.  
`Außenluft - Zuluft` / `Abluft - Fortluft`.
- Aktivieren, wenn Sekundärluft verwendet wird. Die Standardeinstellung ist `nicht verbunden`.  
`Aus` / `An`.

### Steuerung Kühlung

- Wenn die Außenluft wärmer als die Abluft ist und die Zuluft über dem Sollwert liegt, erfolgt eine Kühlung. Diese Bedingung blockiert den Heizbetrieb. Aktivierung oder Deaktivierung der Kälterückgewinnung. Die Standardeinstellung ist `An`.  
Kühlgrenze einstellen Die Kälterückgewinnung ist zulässig, wenn die Ablufttemperatur um einen eingestellten Grenzwert (Standardeinstellung ist 2K) niedriger ist als die Außenlufttemperatur und Kühlbedarf ansteht.
- Status, Temperatur und Dauer der freien Kühlung konfigurieren. Freie Kühlung aktivieren oder deaktivieren Die Standardeinstellung ist `nicht verbunden`.  
Betriebsstufen des Ventilators für Zu- und Abluft während der freien Kühlung einstellen. Die Standardeinstellung ist `Normal`. Ansteuerung: `Normal` / `Hoch` / `Maximum`.  
Startbedingung einstellen Außentemperatur am Tag für die Aktivierung, Voreinstellung ist 22°C. Ansteuerung: 12-30°C.  
Stoppbedingungen einstellen. Abluft-/Raumtemperatur, Voreinstellung 18°C. Außen-Höchsttemperatur, Voreinstellung 23°C. Die Außen-Mindesttemperatur ist 12°C. Start- und Stoppzeit.

#### 7.7.6.4.1U/min für den gewünschten Luftstrom finden

Es ist notwendig, die Ventilator Drehzahl (Umdrehungen pro Minute) für jede Betriebsstufe einzustellen, um den Betrieb in den Stufe zu gewährleisten. Die Ventilatorgeschwindigkeit ist bei jedem Gebäude unterschiedlich, aufgrund

Gerätegröße, Kanalsystem und Systemdruck. Um die korrekte Lüftergeschwindigkeit zu finden, muss das externe Tool auf der Systemair Website verwendet werden.

1. Gehen Sie auf die Webseite von Systemair und wählen ihr Gerät aus.
2. Auf der Registerkarte Diagramm geben Sie die gewünschten Luftstromwerte in l / s, m<sup>3</sup>/h, m<sup>3</sup> / s oder cfm für Zuluft und Abluft ein. Geben Sie den externen Druckverlust (Kanalsystem, ...) für Zu- und Abluft ein. (Falls dieser Wert nicht bekannt ist, kann im Bereich der Wohnungslüftung bei guter Planung mit 100pa gerechnet werden.)

<b>Air flow</b>	Air flow (Supply)	<input type="text" value="60"/>	<input type="text" value="m³/h"/>
	Air flow (Extract)	<input type="text" value="60"/>	
<b>Pressure drop duct system</b>	External pressure (Supply)	<input type="text" value="100"/>	<input type="text" value="Pa"/>
	External pressure (Extract)	<input type="text" value="100"/>	

Bild 7 Beispiel für Volumenstrom und ext. Druckverlust.

3. Folgend die berechnete Drehzahl in Umdrehungen pro Minute (U / min) für Zu- und Abluft.

Power	14,0	13,3 W
Speed	<input type="text" value="1751"/>	<input type="text" value="1640"/>
SEP (clean filters)	1,67	W/(m³e)

Bild 8 Beispiel für Zuluft und Abluft

4. Verwenden Sie diese Vorgehensweise, um die Drehzahl für jede Betriebsstufe zu bestimmen: Minimum, Niedrig, Normal, Hoch, Maximum.
5. Über die Bedieneinheit können Sie diese bestimmten Werte unter Service / Konfiguration → Regelungsfunktionen → Ventilatorsteuerung eingeben. Wählen Sie RPM als Art der Ventilatorsteuerung und im Untermenü Luftvolumenstromniveau (Betriebsstufen) geben Sie die berechneten Drehzahlen für jede Betriebsstufe ein.

### 7.7.6.5 Anwenderfunktionen



Legen Sie den Luftstrom, die Dauer und den Offset für jeden Anwenderfunktion fest.

Stellen Sie die Zuluft- und Abluftventilatorstufe, die Dauer und den Temperatur-Offset falls verfügbar, für die folgenden Anwenderfunktionen ein:

- Abwesend
- Zentralstaubsauger
- Dunstabzugshaube
- Party
- Kaminofen
- Urlaub
- Stoßlüftung

### 7.7.6.6 Kommunikation



Konfigurieren Sie die Einstellungen für Modbus und das Funkzubehör

#### Modbus

- Modbus-Adresse einstellen. Die Standardeinstellung ist 1.
- Baudrate einstellen. Die Standardeinstellung ist 115200.
- Parität einstellen. Die Standardeinstellung ist keine. Auswahl: keine / Gerade / Ungerade.
- Stoppbits einstellen. Die Standardeinstellung ist 1.
- Zeigt den Status des Funkzubehör an.

**HMI Adresse**

- Wenn mehr als ein Bedienfeld an das Gerät angeschlossen ist, ist es wichtig, dass jedes Bedienfeld eine andere Adressnummer hat. In diesem Menü wird die aktuelle HMI-Adresse angezeigt.  
für weitere Informationen siehe 11.5.2 *Mehrere Bedieneinheiten*, Seite 165.

**WLAN Einstellungen**

Die WLAN-Einstellungen dienen zum Anschluss des Zubehörs Internet Access Module (IAM).

Ein Internet-Zugangsmodule (IAM) ist ein Gerät, das es ermöglicht, eine Verbindung zur Anlage herzustellen und diese über eine mobile Anwendung oder direkt vom Computer zu steuern.

- Zeigt den aktuellen Verbindungsstatus an.
- Zeigt den Netzwerknamen an, mit dem das Internetzugangsmodule verbunden ist.
- Nach *Netzwerken suchen* - verwenden Sie diese Suchfunktion, um Ihr lokales geschütztes Netzwerk zu finden. Die detaillierte Vorgehensweise ist unten beschrieben.

**Anschluss des IAM an ein drahtloses Netzwerk**

1. Wenn Ihr drahtloser Router WPS nicht unterstützt, muss die Wi-Fi-Verbindung manuell hergestellt werden. Deshalb müssen Sie mit der Bedientafel den Wi-Fi-Namen finden und ein Passwort eingeben.
  2. Gehen Sie in der Bedientafel in das Menü *Service* -> *Kommunikation* -> *WLAN-Einstellungen*.
  3. Drücken Sie die Taste *Nach Netzwerken scannen*. Das IAM sucht dann nach verfügbaren Wi-Fi-Netzwerken (das sollte nicht länger dauern als eine Minute).
  4. Wenn die Suche beendet ist, suchen Sie den Namen des Netzwerks, mit dem das AIM sich verbinden soll. Das Wi-Fi Netzwerk sollte durch ein Passwort geschützt sein. Andernfalls kann sich das IAM nicht mit dem Wi-Fi Netzwerk verbinden.
  5. Nach Auswahl des Wi-Fi-Namens erscheint ein Pop-up-Fenster auf dem Bildschirm der Bedientafel. Geben Sie Ihr Passwort für das Wi-Fi-Netzwerk ein.
  6. Wenn das Passwort korrekt ist und die Verbindung zum W-LAN Netzwerk erfolgreich, baut das IAM (Internetkommunikationsmodul) automatisch eine Verbindung zum Server auf. Die LED des IAM beginnt langsam grün zu blinken.
- Bei Bedarf WLAN-Einstellungen zurücksetzen.

**7.7.6.7 Protokoll**

Informationen über Alarmer, Ventilatorbetriebszeit und Parameter werden im Menü *Protokoll* gespeichert.

**Luftvolumenstromniveau**

- Betriebsdauer des Zuluftventilators entsprechend der Betriebsstufe wird angezeigt. Aufzeichnung und Gesamtzeit. Zeitzähler zurücksetzen

Stufe 1: 0%



Stufe 2: 1-29%

Stufe 3: 30-44%

Stufe 4: 45-59%

Stufe 5: 60-100%

**Parameter**

- Wählen Sie den Parametertyp, die Position in der y-Achse, den Zeitraum von 60 Minuten bis 2 Wochen und erstellen Sie dann eine Grafik basierend auf den gespeicherten Daten, indem Sie das Symbol in der oberen rechten Ecke antippen. . Exportieren Sie die Parameter durch Auswählen des Downloadsymbols (Pfeil nach unten)  (nur in der App verfügbar)

**7.7.6.8 Datensicherung**

Menü zum Wiederherstellen der Werkseinstellungen oder zum Importieren/Exportieren der Konfigurationsdatei vom/zum Internet Access-Modul (IAM).

- Betätigen Sie **Werkseinstellungen**, um die werkseitige Konfiguration und die Parameter wiederherzustellen. Dies überschreibt auch das geänderte Passwort. Sie werden aufgefordert, die Aufgabe zu bestätigen, bevor Sie fortfahren.
- Berühren Sie die Option **Aktuelle Konfiguration im IAM speichern**, um Ihre aktuelle Systemkonfigurationsdatei im angeschlossenen Internet Zugangsmodul zu speichern.
- Berühren Sie **Download aktuelle Konfiguration vom IAM**, um die Konfigurationsdatei vom angeschlossenen Internet Zugangsmodul herunterzuladen.

### 7.7.6.9 Passworteinstellungen

Das **Service-Level** ist immer mit einem Passwort gesperrt. Weitere Menüebenen haben eine separate Option zum Sperren. Wenn die Passwortanforderung für verschiedene Menüebenen aktiviert ist, werden diese mit dem Administratorkennwort freigeschaltet.

Wählen Sie aus, welche Menüs gesperrt werden sollen oder nicht.

### 7.7.7 Hilfe



FAQ, Fehlersuche von Alarmen und Kontaktinformationen zur Unterstützung finden Sie in diesem Menü.

- **Servicepartner** – Informationen über Servicepartner.
  - Firma
  - Telefon
  - Homepage
  - E-Mail
- **Anwenderfunktionen** – detaillierte Beschreibung der Anwenderfunktionen.
- **Funktionen** – detaillierte Beschreibung der verschiedenen Funktionen.
- **Alarmer** – detaillierte Beschreibung der Alarmer.
- **Fehlerbehebung** – Informationen über mögliche Ursachen der Störungen.

## 8 Elektrische Anschlüsse

Das SAVE VTR 150/K ist werkseitig intern verdrahtet.

Der elektrische Anschlusskasten befindet sich auf der Abluftauslassseite des Geräts. Die Regelungsplatine kann ohne Verwendung von Werkzeug einfach aus dem Gerät entnommen werden.

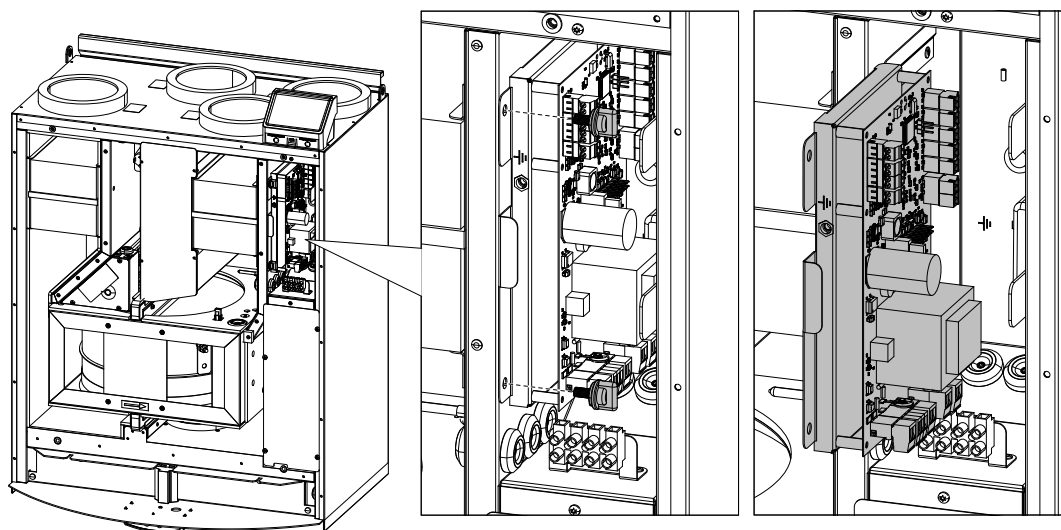


Bild 9 Position der Hauptplatine

### 8.1 Hauptplattenlayout

Das SAVE VTR 150/K ist mit einem eingebauten Regler und interner Verdrahtung ausgerüstet.

Die Abbildung zeigt die Hauptplatine. Weitere Informationen siehe Schaltplan.

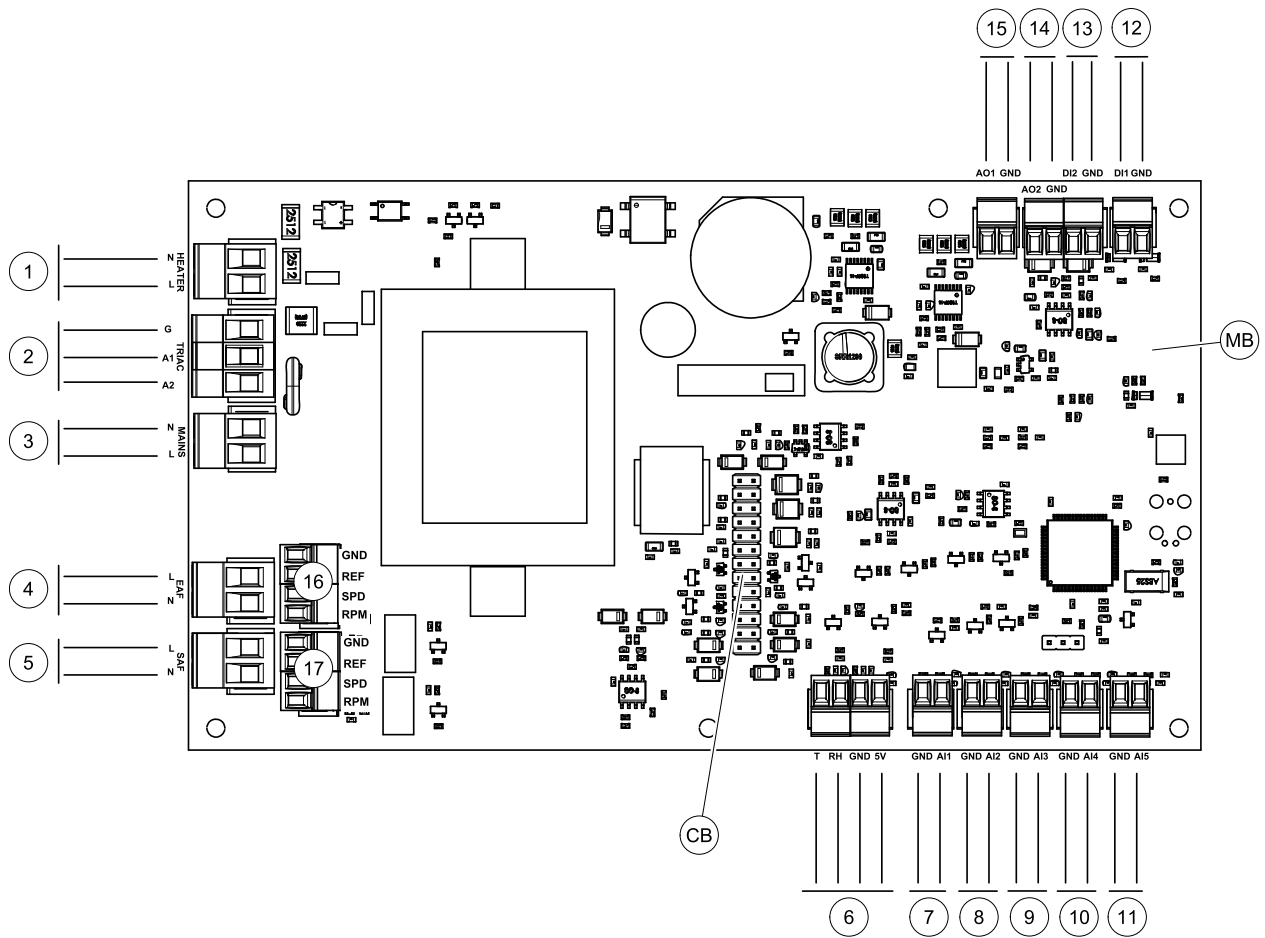


Bild 10 Anschlüsse der Hauptplatine

Position	Beschreibung
MB	Hauptplatine
CB	Verbindung zur außenliegenden Anschlussbox
1	Klemmen für eine Heizung
2	Klemmen für einen TRIAC
3	Klemmen für die Netzspannung
4	Klemmen für die Stromversorgung des Abluftventilators
5	Klemmen für die Stromversorgung des Zuluftventilators
6	Klemmen für internen relativen Feuchtigkeits-/Temperatursensor
7	Analogeingang 1 – Außenluftfühler
8	Analogeingang 2 - Zuluftfühler
9	Analogeingang 3 - Frei konfigurierbar
10	Analogeingang 4 - frei konfigurierbar / Überhitzungs-Temperatursensor (Geräte mit elektrischem Heizregister)
11	Analogeingang 5 - frei konfigurierbar
12	Digitaleingang 1 - Rotorsensor (VSR, VTR-Geräte) / Signal Bypassklappe (VTC-Einheiten)
13	Digitaleingang 2 - Frei konfigurierbar / Dunstabzugshaube (VTR 150/K)
14	Analogausgang 2 - frei konfigurierbar / elektrisches Heizregister (VTC 700)



Position	Beschreibung
15	Analogausgang 1 - Antriebsmotor Rotationswärmeübertrager (VSR, VTR Geräte) / Bypassklappe (VTC Geräte)
16	Klemmen zur Drehzahlregelung des Abluftventilators
17	Klemmen zur Drehzahlregelung des Zuluftventilators

## 8.2 Externe Anschlüsse (außenliegenden Anschlussbox)

Die Anbindung der externen Komponenten erfolgt über die außenliegenden Anschlussbox.

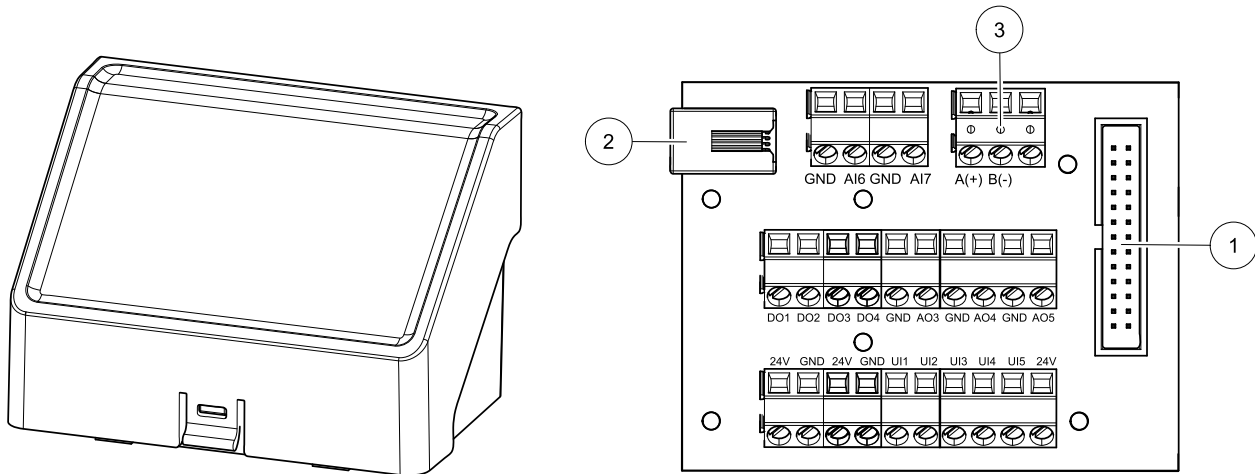


Bild 11 Außenliegenden Anschlussbox und Platine.

Position	Beschreibung
1	Verbindung zur Hauptplatine.
2	Anbindung der Bedieneinheit (HMI) oder des Internetkommunikationsmoduls (IAM)
3	Modbus RS485 Anschluss
AI6-7	Frei konfigurierbarer Analogeingang. Inaktiv, Eingang über die Bedieneinheit (HMI) auswählen.
DO1-4	Frei konfigurierbarer Digitalausgang. Inaktiv, Eingang über die Bedieneinheit (HMI) auswählen
AO3-5	Frei konfigurierbarer Analogausgang. Inaktiv, Eingang über die Bedieneinheit (HMI) auswählen Art des Stellantriebs 0-10V, 10-0 V, 2-10V, 10-2V.
UI1-5	Frei konfigurierbarer Universaleingang. Kann als Analogeingang (0-10V) oder als Digitaleingang (24V) konfiguriert werden. Inaktiv, Eingang über die Bedieneinheit (HMI) auswählen. (NC- oder NO-Polarität wählbar).
24V	Maximaler Strom 200mA bei 24VDC + -10%.

## 9 Vor Inbetriebsetzung des Systems

Überprüfen Sie nach Abschluss der Installation, dass:

- Das Gerät gemäß der Anleitung installiert wurde
- das Gerät richtig verkabelt wurde
- Die Außenluft- / Abluftklappen und die Schalldämpfer installiert wurden und dass das Kanalsystem richtig am Gerät angeschlossen wurde
- Alle Kanäle ausreichend isoliert und gemäß den örtlichen Regeln und Vorschriften installiert wurden
- sich der Außenlufteinlass in ausreichender Entfernung zu Verunreinigungsquellen (Dunstabzugshaubenauslass, Auslass der zentralen Staubsauganlage u. Ä.) befindet
- alle externen Geräte angeschlossen sind
- Das Gerät richtig konfiguriert und in Betrieb genommen wurde
- Der Wochenplan und die Luftstromeinstellungen richtig programmiert wurden.

## 10 Service

### 10.1 Warnhinweise



#### Gefahr

- Achten Sie darauf, dass die Netzstromversorgung des Geräts getrennt ist, bevor Sie Wartungsarbeiten oder elektrische Arbeiten ausführen!
- Alle elektrischen Anschlüsse und Wartungsarbeiten dürfen nur von einer Elektrofachkraft ausgeführt werden und haben den örtlichen Regeln und Vorschriften zu entsprechen.



#### Warnung

- Dieses Produkt darf nur von einer Person betrieben werden, die über geeignete Kenntnisse oder Schulungen in diesem Bereich verfügt oder unter der Aufsicht einer entsprechend qualifizierten Person.
- Achten Sie während der Montage- und Wartungsarbeiten auf scharfe Kanten. Tragen Sie Schutzhandschuhe.



#### Warnung

- Obwohl die Netzversorgung des Gerätes abgetrennt ist, besteht immer noch Verletzungsgefahr durch rotierende Teile, die nicht ganz zum Stillstand gekommen sind.

#### Wichtig

- Die Installation des Geräts und des gesamten Lüftungssystems darf nur von einer Elektrofachkraft durchgeführt werden und hat den örtlichen Regeln und Vorschriften zu entsprechen.
- Das System sollte kontinuierlich arbeiten und nur bei Wartung/Service angehalten werden.
- Schließen Sie keine Wäschetrockner an das Lüftungssystem an
- Kanalanschlüsse/Kanalenden müssen während der Lagerung und Installation abgedeckt werden.
- Vergewissern Sie sich vor dem Starten des Geräts, dass die Filter eingebaut sind.

## 10.2 Interne Komponenten

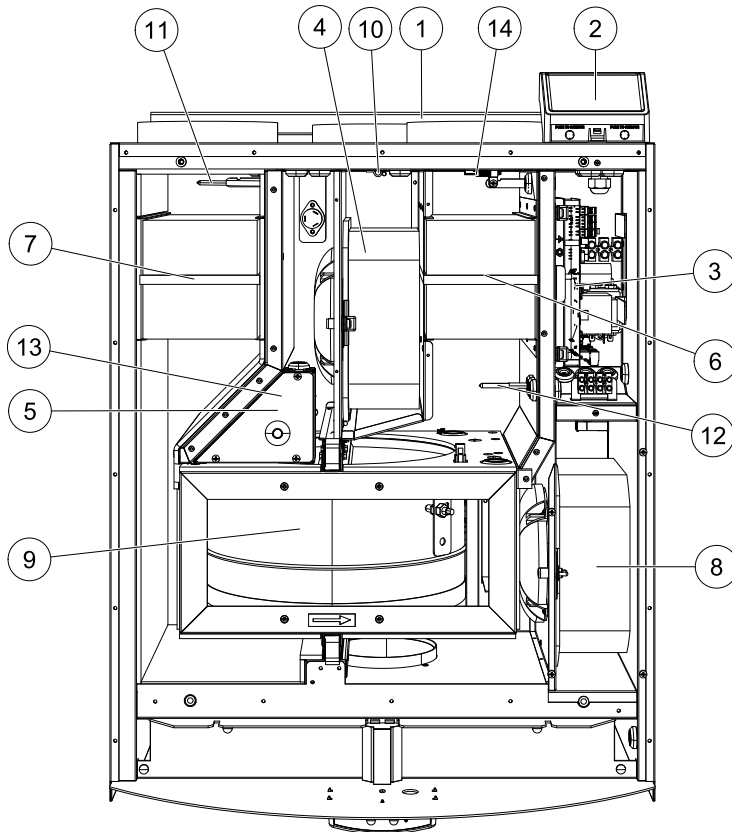


Bild 12 Interne Komponenten

Position	Beschreibung
1	Befestigungsbügel
2	Externe Anschlüsse
3	Hauptleiterplatte
4	Zuluftventilator
5	Interner Elektroerhitzer (500/1000 W)
6	Abluftfilter
7	Zuluftfilter
8	Fortluftventilator
9	Rotationswärmetauscher
10	Zuluftsensoren
11	Außenluftsensor
12	Abluftsensor
13	Überhitzungsschutzsensor
14	Relative Feuchtigkeits-/Ablufttemperatursensoren.

## 10.3 Beschreibung der Komponenten

### 10.3.1 Ventilatoren

Die Ventilatoren verfügen über externe EC-Motoren, die stufenlos individuell 16-100% gesteuert werden können. Die Motorlager sind lebensdauergeschmiert und wartungsfrei. Es ist möglich, die Ventilatoren für die Reinigung zu entfernen, siehe "Benutzerhandbuch" für weitere Informationen.

### 10.3.2 Filter

Die werkseitig eingebauten Filter entsprechen für den Zuluftfilter der Filterqualität M5/ePM10 60% und für den Abluftfilter der Filterqualität M5/ePM10 60%. Die Filter müssen bei Verschmutzung ausgetauscht werden. Neue Filtersätze können Sie bei Ihrem Installateur oder Großhändler erwerben.

Für die Filterung der Zuluft kann Filterqualität F7/ePM1 55% installiert werden. Der Filtertyp ist auf der Oberseite des Filters angegeben.

### 10.3.3 Wärmetauscher

SAVE VTR 150/K ist mit einem rotierenden Hochleistungs-Wärmetauscher ausgestattet. Aus diesem Grund wird die erforderliche Zulufttemperatur in der Regel gehalten, ohne dass zusätzliche Wärme zugeführt werden muss.

Der Wärmetauscher kann zu Reinigungs- und Wartungszwecken heraus genommen werden, weitere Informationen entnehmen Sie bitte dem "Benutzerhandbuch".

### 10.3.4 Hauptplatine

Die Hauptplatine steuert alle Funktionen und die Einheit.

Es ist möglich, externes Zubehör an eine freie Klemme an der Hauptplatine anzuschließen.

### 10.3.5 Anschlusskasten

Der Anschlusskasten befindet sich außerhalb der Einheit. Es enthält Anschlussplatte. Alle externen Zubehörteile können über eine Platine mit frei konfigurierbaren Klemmen an das Gerät angeschlossen werden.

### 10.3.6 Temperatursensoren

Vier Temperatursensoren (NTK, 10 k $\Omega$  bei 25 °C) wurden werkseitig in das Gerät eingebaut und in den entsprechenden Luftkammern positioniert.

Die Sensoren sind an die Hauptleiterplatte angeschlossen. Weitere Informationen entnehmen Sie bitte dem Schaltplan.

### 10.3.7 Feuchtesensor

Der Feuchtigkeitssensor (RH) ist werkseitig im Gerät montiert und befindet sich in der Abluftkammer.

Der Sensor misst auch die Temperatur der Abluft.

Der Sensor ist mit der Hauptplatine verbunden. Weitere Informationen siehe Schaltplan.

### 10.3.8 Elektrisches Nachheizregister

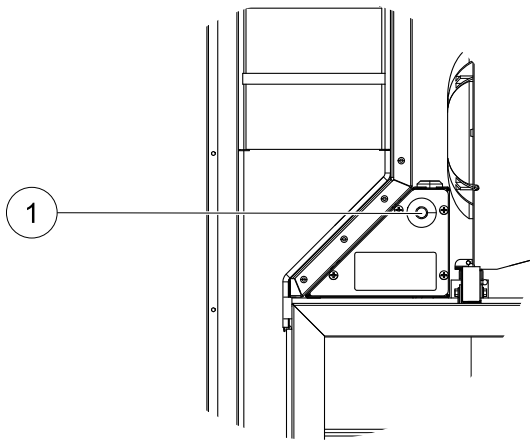
Der Nacherhitzer befindet sich in der Zuluftkammer.

Der Nacherhitzer wird durch ein Relais aktiviert und schaltet sich ein, wenn die Zulufttemperatur den Sollwert unterschreitet. Der Nacherhitzer schaltet sich aus, wenn eine oder mehrere der folgenden Bedingungen erfüllt sind:

1. Die Zulufttemperatur überschreitet den Sollwert.
2. Wenn der Überhitzungsschutz aktiviert ist oder der Sensor Funktionsstörungen aufweist.
3. Wenn das Notfallthermostat ausgelöst wird oder kaputt ist.
4. Wenn der Zuluftsensord sich im Fehlerzustand befindet.
5. Wenn der Zuluftventilator nicht läuft.
6. Wenn der Erhitzer im Menü so eingestellt ist, dass er abgeschaltet ist.

### 10.3.9 Rückstelltaste Überhitzungsschutz

Wenn die Zulufttemperatur niedrig ist, kann die anzeigen, dass der Überhitzungsschutz ausgelöst wurde. Der Überhitzungsschutz kann durch Drücken der Rückstelltaste zurückgestellt werden.



## 10.4 Austausch der Rotor-Antriebsriemens

Wenn der Alarm ROTOR anliegt, siehe Kapitel 7.7.2.3, kann der Rotor-Antriebsriemen beschädigt oder funktionsuntüchtig sein.

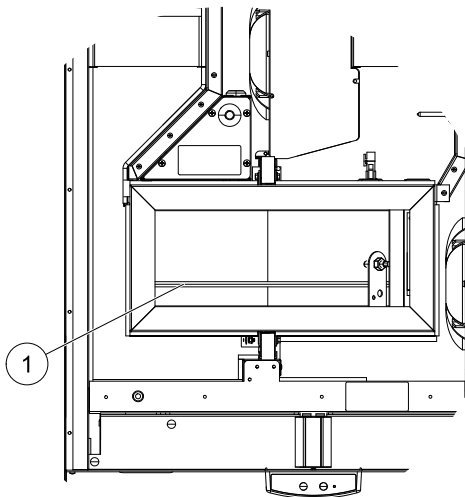


Bild 13 Rotor-Antriebsriemen

Der Austauschriemen (1) ist einstellbar und wird mit einem Nippel an einem Ende geliefert.

1. Stoppen Sie das Gerät, indem Sie die Stromversorgung trennen.
2. Öffnen und entfernen Sie die Seitenabdeckung.
3. Entfernen Sie den funktionsuntüchtigen Antriebsriemen.
4. Verwenden Sie ein Klebeband, um den Antriebsriemen am Rotationswärmetauscher zu befestigen, und drehen Sie den Wärmetauscher per Hand, bis Sie den Riemen zu fassen bekommen.
5. Entfernen Sie das Klebeband und stecken Sie das „hohle“ Ende auf den Nippel. Drücken Sie die Enden fest zusammen und ziehen Sie den Nippel fest.
6. Ziehen Sie den Antriebsriemen auf das Riemenrad und drehen Sie den Wärmetauscher per Hand. Stellen Sie sicher, dass sich das Riemenrad dreht.



### Hinweis!

Wenn der Antriebsriemen noch Spiel hat, kann der Antriebsriemen zu lang sein und muss gekürzt werden. Kürzen Sie den Antriebsriemen um 5 mm und beginnen Sie erneut mit Schritt 5.

7. Setzen Sie die Seitenabdeckung wieder ein und ziehen Sie diese fest. Stellen Sie die Stromversorgung wieder her.
8. Prüfen Sie, dass der Alarm auf der Kontrolldisplay nicht mehr angezeigt wird.



### Hinweis!

Wenn der Alarm immer noch anliegt, prüfen Sie den Rotorsensor.

## 10.5 Fehlersuche

Sollten Probleme auftreten, überprüfen Sie bitte die nachstehenden Punkte, bevor Sie den Kundendienst anrufen.

Funktionsstörung	Maßnahme
Fans beginnen nicht	<ol style="list-style-type: none"> <li>1. Überprüfen Sie das HMI auf Alarme.</li> <li>2. Überprüfen Sie, ob alle Sicherungen und Schnellkupplungen angeschlossen sind (Netzteil und Schnellkupplungen für Zuluft- und Abluftventilatoren).</li> <li>3. Prüfen Sie, ob der Wochenplan eingeschaltet ist und im AUTO-Modus läuft. Der Wochenplan kann im AUS -Modus sein, wenn der Luftstrom auf AUS (Kapitel 7.7.3) eingestellt ist.</li> </ol>
Reduzierter Luftstrom	<ol style="list-style-type: none"> <li>1. Überprüfen Sie das HMI auf Alarme. Einige Alarme können den Luftstrom auf Niedrigreduzieren, wenn sie aktiv sind.</li> <li>2. Die Einheit könnte im Abtaumodus sein. Dies verringert die Lüftergeschwindigkeit und schaltet in einigen Fällen den Entlüftungsventilator während des Abtauzyklus vollständig ab. Die Fans gehen nach dem Auftauen wieder auf. In der APP- oder HMI-Startbildschirm ist ein Abtau-Funktions-Symbol zu sehen, wenn die Abtauung aktiv ist.</li> <li>3. Wenn die Außenlufttemperatur unter 0°C liegt (Außenlufttemperatursensor (OAT) misst &lt; 0°C) Die Außenluftstromkompensationsfunktion kann aktiv sein (falls aktiviert). Die Ventilatorgeschwindigkeit (Versorgung oder Versorgung / Abluftventilatoren) wird linear reduziert, um die Außenlufttemperatur zu senken.</li> <li>4. Prüfen Sie, ob der temporäre Benutzermodus, der den Luftstrom reduziert, nicht aktiviert ist, z. B. Abwesend, Urlaub usw. Überprüfen Sie auch die digitalen Eingänge Zentralstaubsauger und Dunstabzugshaube.</li> <li>5. Überprüfen Sie die Einstellung des Luftstroms im HMI.</li> <li>6. Überprüfen Sie die Wochenplaneinstellungen (Kapitel 7.7.3).</li> <li>7. Überprüfen Sie die Filter. Ist der Filterwechsel erforderlich?</li> <li>8. Überprüfen Sie die Diffusoren / Lamellen. Is cleaning of diffusers/louvres required?</li> <li>9. Überprüfen Sie Fans und Wärmetauscherblock. Ist die Reinigung erforderlich?</li> <li>10. Prüfen Sie, ob die Gebäude Lufteinlass und Dacheinheit (Auspuff) verstopft sind.</li> <li>11. Kontrollieren Sie die sichtbare Leitung auf Beschädigung und / oder Staubbildung / Verschmutzung.</li> <li>12. Überprüfen Sie die Diffusor- / Rasteröffnungen.</li> </ol>
Die Einheit kann nicht gesteuert werden (Kontrollfunktionen sind stecken)	<ol style="list-style-type: none"> <li>1. Setzen Sie die Steuerfunktionen aus, indem Sie den Stecker 10 Sekunden lang herausziehen.</li> <li>2. Überprüfen Sie die modulare Kontaktverbindung zwischen dem HMI und der Hauptplatine.</li> </ol>

Funktionsstörung	Maßnahme
Niedrige Zulufttemperatur	<ol style="list-style-type: none"> <li>1. Überprüfen Sie die Anzeige auf Alarme.</li> <li>2. Überprüfen Sie die aktiven Benutzerfunktionen im HMI-Bildschirm, wenn die Abtaufung-Funktion läuft.</li> <li>3. Prüfen Sie die eingestellte Zulufttemperatur im HMI.</li> <li>4. Überprüfen Sie, ob der ECO -Modus im HMI aktiviert ist (es ist eine Energiesparfunktion und verhindert das Aktivieren der Heizung).</li> <li>5. Überprüfen Sie, ob die Betriebsarten Urlaub, Abwesend or Party im HMI oder über einen festverdrahteten Schalter aktiviert sind.</li> <li>6. Überprüfen Sie die analogen Eingänge im Servicemenü, um sicherzustellen, dass die Temperatursensoren korrekt funktionieren.</li> <li>7. Bei installierter elektrischer / sonstiger Nachheizbatterie: Überprüfen Sie, ob der Überhitzungsschutzthermostat noch aktiv ist. Ggf. durch Drücken der roten Taste auf der Frontplatte des elektrischen Nachheizers zurücksetzen.</li> <li>8. Prüfen Sie, ob der Extraktfilter gewechselt werden muss.</li> <li>9. Überprüfen Sie, ob die Einheit an der Batterie angeschlossen ist. Bei sehr kalten Außenbedingungen kann eine Elektro- oder Wasserheizung notwendig sein. Als Zubehör kann eine Wiedererwärmungsbatterie aufgenommen werden.</li> </ol>
Geräusche / Vibrationen	<ol style="list-style-type: none"> <li>1. Saubere Lüfterräder.</li> <li>2. Prüfen Sie, ob die Schrauben, die die Ventilatoren halten, angezogen sind.</li> <li>3. Prüfen Sie, ob die Antivibrationslisten an der Montagehalterung und an der Rückseite der Einheit angebracht sind.</li> <li>4. Check that the rotor belt is not slipping if the unit has rotating heat exchanger.</li> </ol>

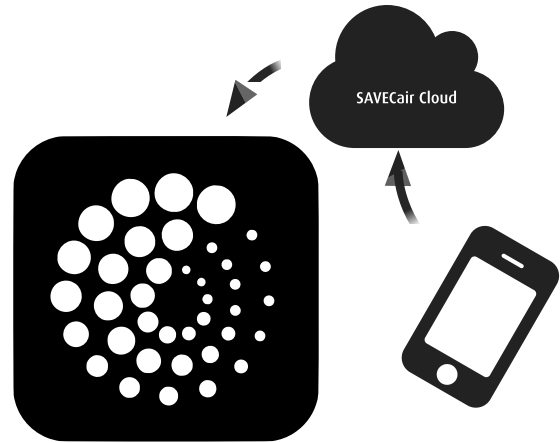
## 11 Zubehör

SAVE VTR 150/K Haben viele verfügbare Zubehörkomponenten, die verwendet werden können, um die Funktionalität des Gerätes zu erweitern und den Komfort zu erhöhen.

Empfohlenes Zubehör finden Sie immer auf der Systemair Website [www.systemair.de](http://www.systemair.de) durch die Suche nach der Artikelnummer oder dem Namen des gewünschten Zubehörs.

### 11.1 Internetkommunikationsmodul (IAM)

Das Internetkommunikationsmodul (IAM) ist ein Modul, das es ermöglicht, das Lüftungsgerät über eine mobile Anwendung (App) oder direkt vom Computer zu steuern und automatische Updates zu erhalten. Die Anwendung läuft auf einer Cloud. Für den Zugriff auf das Lüftungsgerät über die Cloud ist eine Internetanbindung erforderlich. Das IAM muss mit dem Internet kommunizieren können.



#### Komponente/Produkt – Artikelnummer:

- Internetkommunikationsmodul (IAM) – 211243



### 11.1.1 Einrichten der Fernbedienung des Gerätes

**A**

**B**

**C1**

**C2**

**C3**

**D1**

**D2**

**E**

Bild 14



**Hinweis!**

Das Internet-Zugangsmodule verwendet den TCP-Port 8989. Stellen Sie sicher, dass er nicht blockiert ist.

**Beschreibung**

- A. Verbinden Sie das Internet Access Module (IAM) mit dem Connection Board (CB) mit dem mitgelieferten RJ10-Kabel.
- B. Schalten Sie das IAM mit dem mitgelieferten Netzkabel und Adapter (230 V~) ein.
- C. Aktivieren Sie den Zugang zum Internet. Es stehen drei Optionen zur Verfügung:
  - C1 - Aktivieren Sie die WPS-Funktion auf Ihrem Router (falls vorhanden) und drücken Sie die Taste am Internet Access Modul für 5 Sekunden.
  - C2 - Stecken Sie ein Ende des Ethernet-Kabels in die RJ45-Buchse am IAM und das andere Ende an eine freie Ethernet-Buchse an Ihrem Router. Die Verbindung wird automatisch aufgebaut.
  - C3 - Stellen Sie die Verbindung zu Ihrem Wi-Fi über das Menü *Kommunikation* im Bedienfeld her.
- D. Zugang zur mobilen Anwendung Systemair. Es stehen zwei Optionen zur Verfügung:
  - D1 - Laden Sie die Systemair Mobile App auf Ihr Gerät herunter und installieren Sie sie. Die Systemair mobile Anwendung (APP) steht sowohl für Android wie auch für IOS Betriebssysteme zur Verfügung.
  - D2 – Die Systemair Web-App muss nicht installiert werden und kann mit jedem Internetbrowser direkt über die Webseite ([homesolutions.systemair.com](http://homesolutions.systemair.com)) erreicht werden. (google chrome bevorzugt)
- E. Starten Sie die Anwendung (App). Geben Sie im Anmeldebildschirm Ihre einmalige Geräte-ID ein. Diese finden Sie auf dem Aufkleber hinten auf dem IAM oder einem zusätzlichen Aufkleber.

Drücken Sie die LOG IN-Taste.

Bei der ersten Verbindung zum IAM muss ein eindeutiges Passwort erstellt werden. Die Schaltfläche *Passwort ändern* anklicken. Geben Sie im nächsten Menübildschirm Ihr neues Passwort ein, bestätigen Sie es und drücken Sie die Taste *PASSWORT SETZEN*. Um die Passwort-Erstellung abzuschließen, klicken Sie auf die Schaltfläche auf dem IAM. Warten Sie, bis in Ihrer Anwendung eine Meldung erscheint, dass das Passwort geändert wurde.

Drücken Sie die ZURÜCK-Taste, um zum vorherigen Anmeldebildschirm zurückzukehren. Geben Sie das neu erstellte Passwort ein und drücken Sie die Taste *ANMELDEN*.

Für weitere Informationen lesen Sie bitte das Handbuch, das dem Zubehör beiliegt.

**Tabelle 6 LED-Anzeigecodes**

WLAN	Ethernet	Cloud	ROTE LED	GRÜNE LED
Verbunden	–	Nicht verbunden	blinkt schnell	–
Getrennt	–	Getrennt	blinkt langsam	–
Verbunden	–	Verbunden	–	blinkt langsam
–	Verbunden	Nicht verbunden	–	blinkt schnell
–	Getrennt	Getrennt	–	blinkt schnell
–	Verbunden	Verbunden	–	blinkt langsam

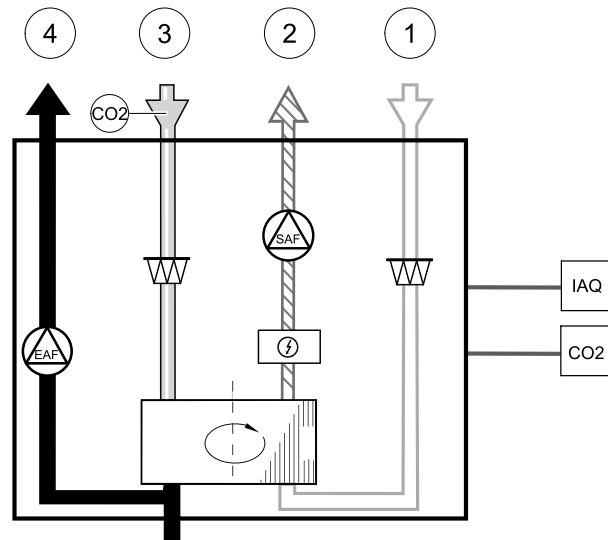
Schnelles Blinken - alle 500 Millisekunden. Langsames Blinken - alle 2 Sekunden.

**11.2 Luftqualitätssensoren**



Luftqualitätssensoren (IAQ) sind z.B. Transmitter für CO<sub>2</sub>, relative Feuchte und Temperatur, die je nach Art entweder im Abluftkanal oder im Raum installiert werden können.

- IAQ - Innenraumlufsensor (CO<sub>2</sub>, RH und Temperatur)
- CO<sub>2</sub> - CO<sub>2</sub> Kanalsensor
- 1 - Außenluft
- 2 - Zuluft
- 3 - Abluft
- 4 - Fortluft



#### Komponente/Produkt – Artikelnummer:

- Systemair CO<sub>2</sub> Kanalsensor – 14906
- Systemair CO<sub>2</sub> Wandsensor - 14904
- Raumsensor 0-50C (Temperatur) – 211525
- Systemair CO<sub>2</sub> RH und Temperatur Sensor – 211522

#### Installation und Anbindung

1. Den IAQ-Sensor, je nach Ausführung im Kanal oder Raum montieren.
2. CO<sub>2</sub> Sensor an einem beliebigen freien Universal-Analogeingang (UI) auf der Anschlussplatine anschließen.
3. Wenn der IAQ-Sensor einen relativen Feuchtigkeitstransmitter hat:  
An einen freien universellen analogen Eingang (UI) auf der Anschlussplatine anschließen.
4. Wenn IAQ-Sensor einen Raumtemperatur-Transmitter hat:  
An einen freien analogen Eingang (AI) auf der Anschlussplatine (nur AI6 und AI7 sind auf der Anschlussplatine verfügbar) anschließen.

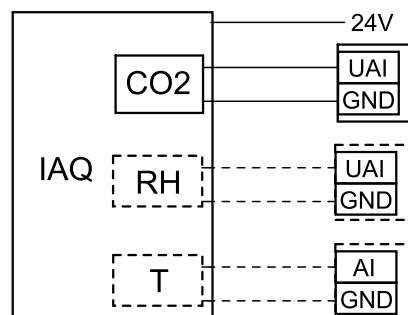


Bild 15 Anbindung IAQ Sensoren

#### Konfiguration

1. Gehen Sie zum Menü *Service/Konfiguration*.
2. Passwort eingeben (Standard 1111).
3. Konfigurieren des CO<sub>2</sub> und/oder relative Feuchte-Sensor: Gehen Sie zum Menü *Eingänge*. Wählen Sie die Registerkarte *UNIVERSAL*. Wählen Sie den universellen Eingang, an den der Sensor angeschlossen ist. Wenn er zum Beispiel an UI4 auf der Anschlussplatine angeschlossen ist, dann wählen Sie *UNIVERSAL EINGANG 4*. Signalart als analoger Eingang auswählen und Eingangsart entsprechend dem Sensor auswählen: *RH-Sensor (RH)* und/oder *CO<sub>2</sub>-Sensor (CO<sub>2</sub>)*.
4. Raumtemperaturfühler konfigurieren: Gehen Sie zum Menü *Eingänge*. Wählen Sie die Registerkarte *ANALOG*. Wählen Sie den analogen Eingang, an den der Sensor angeschlossen ist. Wenn er zum Beispiel an AI6 auf der

Anschlussplatine angeschlossen ist, dann wählen Sie **ANALOG EINGANG 6**. Wählen Sie die Funktion des Eingangs **Raumtemperatursensor (RAT)**.

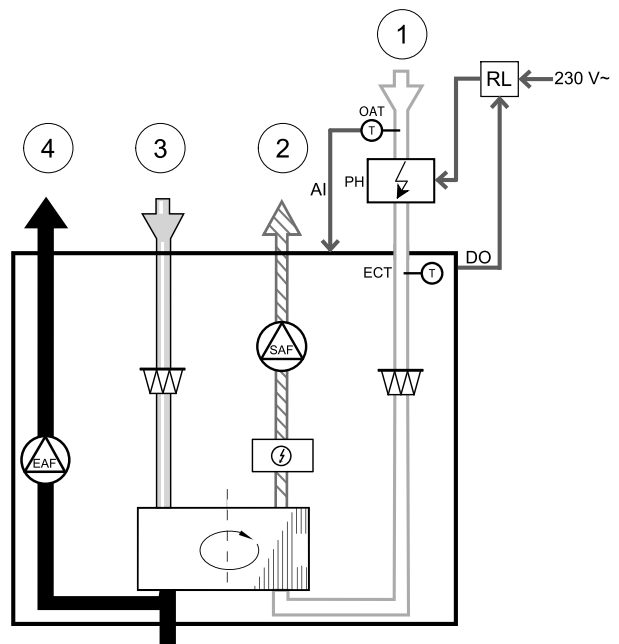
## 11.3 Temperaturregelung

### 11.3.1 Elektrisches Vorheizregister für Kanalmontage



Das elektrische Vorheizregister wird im Lüftungsrohr in der Außenluft vor dem Lüftungsgerät montiert. Dieses dient zur Vermeidung der Vereisung der Wärmerückgewinnung.

- PH - elektrisches Vorheizregister
- ECT - zusätzlicher Temperatursensor
- OAT - Außenlufttemperatursensor
- RL - Relais
- 1 - Außenluft
- 2 - Zuluft
- 3 - Abluft
- 4 - Fortluft



#### Komponente / Produkt - Artikelnummer:

- CB 125-0,6 230V/1 elektrisches Heizregister – 5289
- Anschlusssatz CB Vorerhitzer – 142852

#### Installation und Anschluss

1. Installieren Sie den elektrischen Vorerhitzer (ELH) mit mindestens 100 mm Abstand vom Gerät im Außenluftkanal. Das Relais (RL) steuert das Vorheizregister. Schließen Sie das Relais an einen beliebigen freien digitalen Ausgang der Anschlussplatine (CB) an.
2. Schließen Sie den Vorerhitzer (ELH) und die Stromversorgung an das Relais (RL) an. Ein Lasttrennschalter (BRK) ist nicht im Lieferumfang enthalten und muss separat bestellt werden. Er muss im Stromkreis installiert werden.
3. Installieren Sie einen Kanaltemperatursensor (OAT) vor dem elektrischen Vorerhitzer auf der Außenseite des Gerätes und schließen Sie ihn an einen beliebigen freien Analogeingang auf der Anschlussplatine (CB) an.

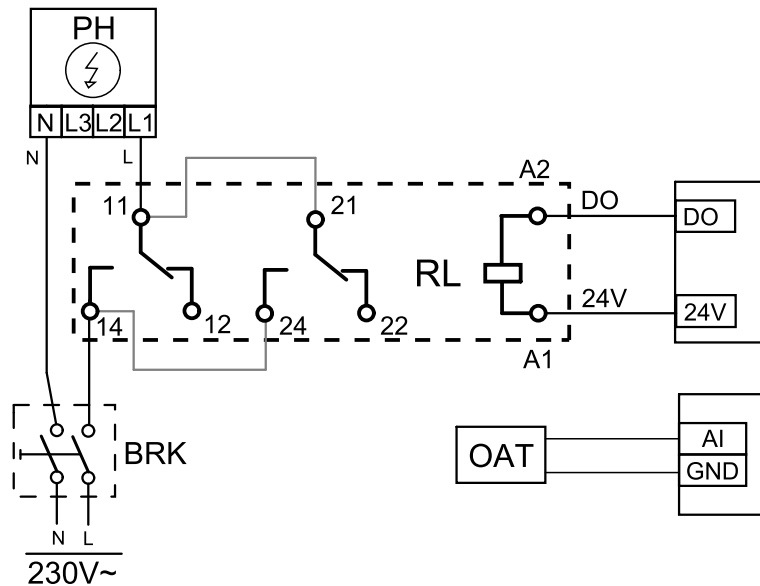


Bild 16 Anbindung Vorheizregister

### Konfiguration

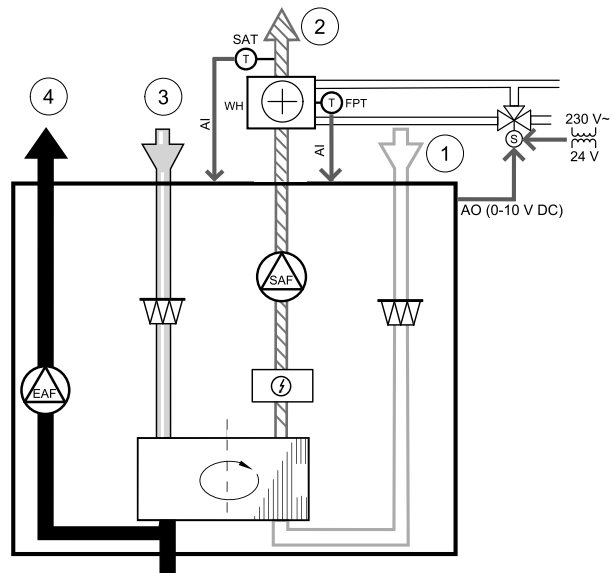
1. Gehen Sie zum *Service / Konfiguration* Menü
2. Geben Sie das Passwort (Standard 1111)
3. Gehen Sie zum Menü *Regelungskomponenten*, wählen Sie das Menü *zusatzregler* und stellen Sie die Art des Zusatzreglers auf *Vorerhitzer* ein. Der Sollwert für den Vorerhitzer kann im selben Menü eingestellt werden. Führen Sie ggf. weitere Einstellungen durch. Weitere Informationen finden Sie im Handbuch "Installation und Service".
4. Konfigurieren Sie den Anschluss des Vorerhitzers. Gehen Sie zum Menü *Service/Konfiguration*. Wählen Sie das Menü *Ausgänge*. Im nächsten Menü wählen Sie die Registerkarte *DIGITAL*. Wählen Sie den Digitalausgang, an den der Vorerhitzer angeschlossen ist. Wenn er zum Beispiel an *DO3* an der Anschlussplatine angeschlossen ist, wählen Sie *DIGITAL AUSGANG 3* und *Stufenregler Zusatzregler (Y4)* aus der Ausgangstypen Liste.
5. Internen Außentempersensoren als Zusatzreglertemperatur Sensor konfigurieren. Gehen Sie zum Menü *Service/Konfiguration*. Wählen Sie *Eingänge*. Wählen Sie die Registerkarte *ANALOG*. Wählen Sie den *ANALOG EINGANG 1* und ändern Sie seine Konfiguration von *Außentempersensoren (OAT)* auf *Zusatzreglertemperatur (ECT)*.
6. Nach Änderung der Sensorkonfiguration wählen Sie den Analogeingang, an dem der neu installierte Kanaltemperatursensoren (OAT) angeschlossen ist, und konfigurieren Sie ihn als *Außentempersensoren (OAT)*.

### 11.3.2 Wassernachheizregister für Kanalmontage



Das Wasserheizregister muss im Lüftungsrohr in der Zuluft nach dem Lüftungsgerät montiert werden.

- WH - Heizregister
- FPT - Frostschutzsensor
- SAT - Zulufttemperatursensor
- S - Stellantrieb für Ventil
- 1 - Außenluft
- 2 - Zuluft
- 3 - Abluft
- 4 - Fortluft



#### Komponente / Produkt - Artikelnummer:

- VBC 125-2 Wasserheizregister PWW (2 rows) – 5457
- VBC 125-3 Wasserheizregister PWW (3 rows) – 9839
- RVAZ4 24A Stellantrieb 0-10V (S)– 9862
- ZTV 15-0,4 2-Wege-Ventil – 9829
- ZTV 15-0,6 2-Wege-Ventil – 6571
- ZTR 15-0,4 3-Wege-Ventil – 9670
- ZTR 15-0,6 3-Wege-Ventil – 6573
- Kanalsensor -30-70C (SAT) – 211524
- Anlegesensor-30-150°C (FPT) – 211523

#### Installation und Anschluss

1. Wasserheizregister im Lüftungsrohr montieren. Wasserseitige Anbindung mit 2/3-Wege-Ventil und Stellantrieb.

#### Wichtig

Verwenden Sie für den Stellantrieb des Ventils KEINE 24V DC Stromversorgung von der Anschlussplatine aus dem Lüftungsgerät.

2. Stellantrieb (S) an beliebigen freien Analogausgang anschließen
3. Der Frostschutzsensor (FPT) wird am Rücklauf des Heizregisters befestigt. Verbinden Sie den FPT-Sensor mit einem freien analogen Eingang.
4. Der interne Zulufttemperaturfühler (SAT, vorgegebener Anschluss AI2 auf der Hauptplatine) muss ersetzt werden durch einen Kanaltemperaturfühler, der als Zubehör erhältlich ist. Ein Kanaltemperaturfühler muss nach dem Heizregister im Lüftungsrohr installiert werden. Den Kanaltemperaturfühler an Analogeingang 2 (AI2) anschließen und den internen Zulufttemperaturfühler ersetzen.



#### Hinweis!

Ein Kanaltemperaturfühler kann an die Analogeingänge 6-7 an der Anschlussplatine angeschlossen werden, um einen einfacheren Zugang zu gewährleisten und dann als Zulufttemperatursensor konfiguriert werden. Der interne Zulufttemperaturfühler muss jedoch zuerst im Bedienfeld deaktiviert werden.

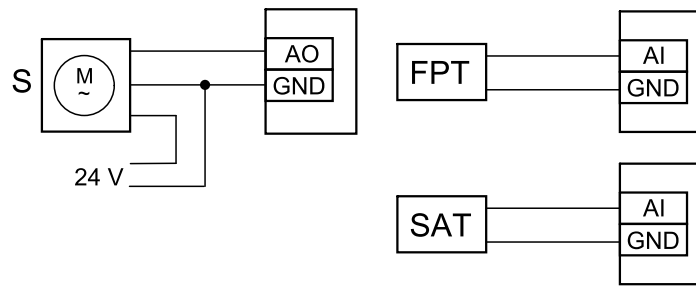


Bild 17 Anbindung Wassernachheizregister

### Konfiguration

1. Gehen Sie zum *Service / Konfiguration* Menü
2. Geben Sie das Passwort (Standard 1111)
3. Aktivieren Sie den Antrieb. Gehen Sie zum Menü *Regelungskomponenten*, wählen Sie *Erhitzer*-Menü und wählen Sie als *Wasseraus*. Wählen Sie *Stellantrieb*. Führen Sie ggf. erweiterte Einstellungen vor.
4. Stellsignal für den Stellantrieb konfigurieren. Gehen Sie zum Menü *Service*. Wählen Sie das Menü *Ausgänge*. Im nächsten Menü wählen Sie Registerkarte *ANALOG*. Wählen Sie den Analogausgang, an den der Stellantrieb angeschlossen ist. Wenn er zum Beispiel an AO3 auf der Anschlussplatine angeschlossen ist, dann wählen Sie *ANALOG AUSGANG 3* und *Y1 Erhitzer aus*.
5. Frostschutzsensor (FPT) konfigurieren. Gehen Sie zurück zum *Eingänge*-menü. Wählen Sie die Registerkarte *ANALOG*. Wählen Sie den analogen Eingang, an den der Frostschutzsensor angeschlossen ist. Beispiel, wenn es an AI6 auf der Anschlussplatine angeschlossen ist, dann wählen *ANALOG EINGANG 6* und wählen *Frostschutztemperatursensor (FPT)* aus der Eingabetypliste.
6. Wenn ein Kanaltemperaturfühler den internen Zulufttemperatursensor ersetzt, muss er nicht neu konfiguriert werden.



#### Hinweis!

Ein Kanaltemperaturfühler kann an die Analogeingänge 6-7 an der Anschlussplatine angeschlossen werden, um einen einfacheren Zugang zu gewährleisten und dann als Zulufttemperatursensor konfiguriert werden. Der interne Zulufttemperaturfühler muss jedoch zuerst im Bedienfeld deaktiviert werden.

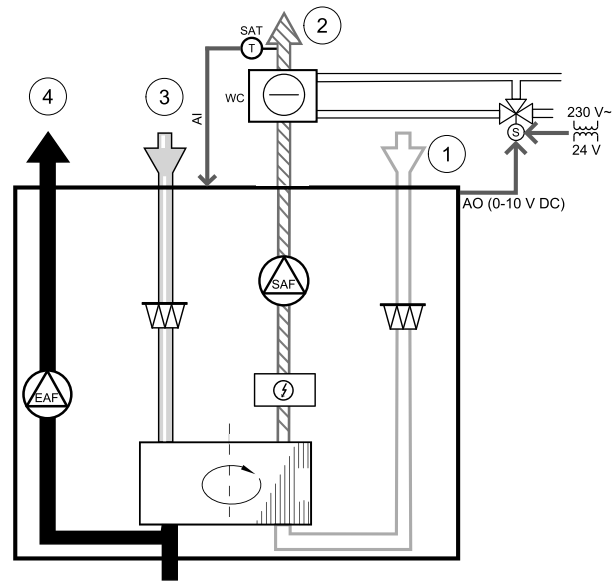
7. Warmwasserbereiter und deren Komponenten sind jetzt konfiguriert.

### 11.3.3 Wasserkühlregister für Kanalmontage



Das Wasserkühlregister kann im Lüftungsrohr in der Zuluft nach dem Lüftungsgerät montiert werden.

- WC - Wasserkühlregister
- SAT - Zulufttemperatursensor
- S - Ventilstellantrieb
- 1 - Außenluft
- 2 - Zuluft
- 3 - Abluft
- 4 - Fortluft



#### Komponente / Produkt - Artikelnummer:

- CWK 125-3-2,5 Kaltwasserkühler – 30021
- RVAZ4 24A Stellantrieb 0-10V (S) – 9862
- ZTV 15-0,4 2-Wege-Ventil – 9829
- ZTV 15-0,6 2-Wege-Ventil – 6571
- ZTR 15-0,4 3-Wege-Ventil – 9670
- ZTR 15-0,6 3-Wege-Ventil – 6573
- Kanalsensor -30-70C (SAT) – 211524

#### Installation und Anschluss

1. Installieren Sie das Wasserkühlregister im Lüftungsrohr. Wasserseitige Anbindung mit 2/3-Wege-Ventil und Stellantrieb.

#### Wichtig

Verwenden Sie für den Stellantrieb des Ventils KEINE 24V DC Stromversorgung von der Anschlussplatine aus dem Lüftungsgerät.

2. Stellantrieb (S) an beliebigen freien Analogausgang anschließen
3. Der interne Zulufttemperaturfühler (SAT, vorgegebener Anschluss AI2 auf der Hauptplatine) muss ersetzt werden durch einen Kanaltemperaturfühler, der als Zubehör erhältlich ist. Ein Kanaltemperaturfühler muss nach dem Kühler im Lüftungsrohr installiert werden. Den Kanaltemperaturfühler an Analogeingang 2 (AI2) anschließen und den internen Zulufttemperaturfühler ersetzen.



#### Hinweis!

Ein Kanaltemperaturfühler kann an die Analogeingänge 6-7 an der Anschlussplatine angeschlossen werden, um einen einfacheren Zugang zu gewährleisten und dann als Zulufttemperatursensor konfiguriert werden. Der interne Zulufttemperaturfühler muss jedoch zuerst im Bedienfeld deaktiviert werden.

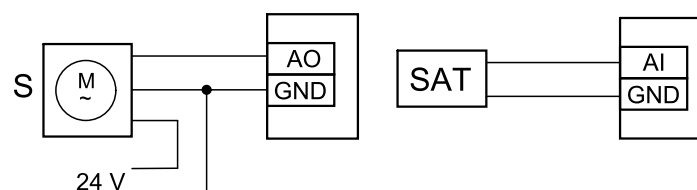


Bild 18 Anbindung Kanalkühlregister



## Konfiguration

1. Gehen Sie zum *Service / Konfiguration* Menü
2. Geben Sie das Passwort (Standard 1111)
3. Aktivieren Sie das Nachheizregister Gehen Sie zum Menü *Regelungskomponenten*, wählen Sie *Kühler* und als *Art Wasser*. Wählen Sie die Ansteuerung für den Stellantrieb. Führen Sie ggf. erweiterte Einstellungen aus.
4. Stellsignal für den Stellantrieb konfigurieren. Gehen Sie zum Menü *Service*. Wählen Sie das Menü *Ausgänge*. Im nächsten Menü wählen Sie Registerkarte *ANALOG*. Wählen Sie den Analogausgang, an den der Stellantrieb angeschlossen ist. Wenn er zum Beispiel an AO3 auf der Anschlussplatine angeschlossen ist, dann wählen Sie *ANALOG AUSGANG 3* und *Y3 Kühler* aus.
5. Wenn ein Kanaltemperaturfühler den internen Zulufttemperatursensor ersetzt, muss er nicht neu konfiguriert werden.



### Hinweis!

Ein Kanaltemperaturfühler kann an die Analogeingänge 6-7 an der Anschlussplatine angeschlossen werden, um einen einfacheren Zugang zu gewährleisten und dann als Zulufttemperatursensor konfiguriert werden. Der interne Zulufttemperatursensor muss jedoch zuerst im Bedienfeld deaktiviert werden.

6. Das Kanalkühlregister und die Zubehörkomponenten sind jetzt konfiguriert.

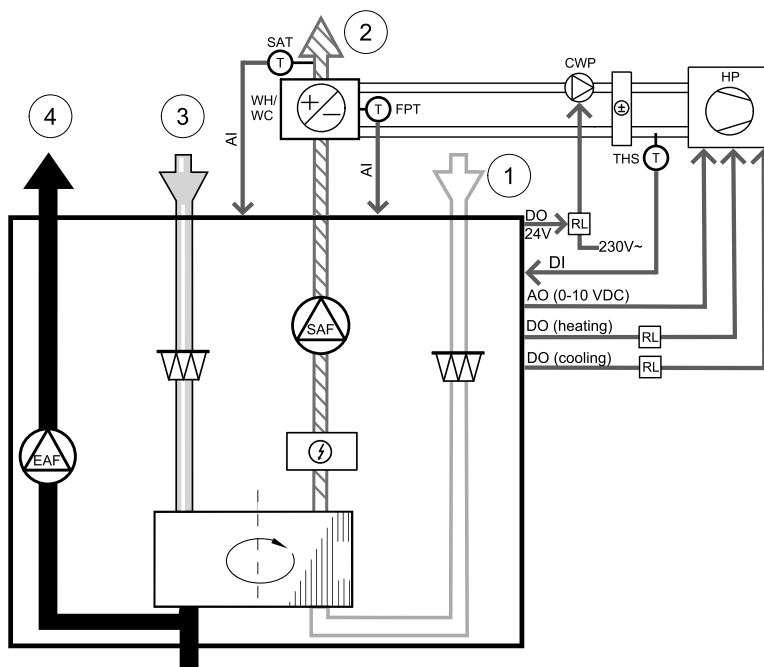
### 11.3.4 Change-Over Register für Heiz-/Kühlfunktion

Das Change-Over Register kann je nach Anforderung zum Heizen und Kühlen verwendet werden.

#### Wichtig

Das Change-Over Register (Heizen/Kühlen) ist vielfältig einsetzbar und kann in jedem Haushalt variieren. Diese Beschreibung erklärt die gebräuchlichste Lösung für den Anschluss und die Regelung von Heizung und Kühlung mit einem Wasserregister und einer Wärmepumpe. Bitte erkundigen Sie sich immer bei Ihrem Systemair-Berater vor Ort, ob verschiedene Lösungen für die Change-Over Funktion von SAVEGeräten unterstützt werden.

- WH/WC - Chang-Over Register (Heizen/Kühlen)
- FPT - Frostschutzsensor (optional)
- SAT - Zulufttemperatursensor
- THS - Anzeige, ob die Temperatur der Heiz-/Kühlflüssigkeit im System stimmt (optional)
- HP - Wärmepumpe (oder andere Geräte zum Heizen und Kühlen)
- CWP - Wasserpumpe
- RL - Relais
- 1 - Außenluft
- 2 - Zuluft
- 3 - Abluft
- 4 - Fortluft



#### Komponente / Produkt - Artikelnummer:

- Kanalsensor -30-70C (SAT) – 211524
- Anlegesensor -30-150°C (FPT) – 211523
- Leistungsrelais+Sockel 24VDC - 211248

## Installation und Anschluss

1. Change-Over Register in den Kanal einbauen. Installieren Sie ggf. eine Wasserpumpe. Das Ein- und Ausschalten der Wasserpumpe sollte mit einem Relais (RL) gesteuert werden. Schließen Sie das Relais an einen beliebigen freien digitalen 24 V Ausgang der Anschlussplatine an. Schließen Sie dann die Stromversorgung und eine Wasserpumpe (CWP) an das Relais an.
2. Schließen Sie eine Steuerleitung (falls vorhanden) der Wärmepumpe (HP) an einen beliebigen freien Digitalausgang und 24 V auf der Anschlussplatine an.
3. Schließen Sie die Kühl- und Heizungsstartsignalleitungen an beliebige freie Digitalausgänge des Anschlusskastens an. Es müssen Relais (RL) verwendet werden.
4. Der Frostschutzsensor (FPT) wird am Rücklauf des Heizregisters befestigt. Verbinden Sie den Frostschutzsensor (FPT) mit einem beliebigen freien Analogeingang.
5. Der interne Zulufttemperaturfühler (SAT, vorgegebener Anschluss AI2 auf der Hauptplatine) muss ersetzt werden durch einen Kanaltemperaturfühler, der als Zubehör erhältlich ist. Ein Kanaltemperaturfühler muss nach dem Kühler/Erhitzer im Lüftungsrohr installiert werden. Den Kanaltemperaturfühler an Analogeingang 2 (AI2) anschließen und den internen Zulufttemperaturfühler ersetzen.



### Hinweis!

Ein Kanaltemperaturfühler kann an die Analogeingänge 6-7 an der Anschlussplatine angeschlossen werden, um einen einfacheren Zugang zu gewährleisten und dann als Zulufttemperatursensor konfiguriert werden. Der interne Zulufttemperaturfühler muss jedoch zuerst im Bedienfeld deaktiviert werden.

6. Ein Thermostat kann dazu verwendet werden, Signale zu senden (Change-Over-Feedback), welches Medium (heiß oder kalt) sich gerade in einer Leitung befindet. Dieses Signal kann auch direkt von der Wärmepumpe gesendet werden, wenn eine solche Funktion vorhanden ist. Wenn Heizung gewünscht wird, aber nur Kaltwasser/Kältemittel zur Verfügung steht - Heizung ist deaktiviert).

Schließen Sie eine Change-Over Rückmeldeleitung (THS) an einen beliebigen freien Digitaleingang und 24 V auf der Anschlussplatine an.

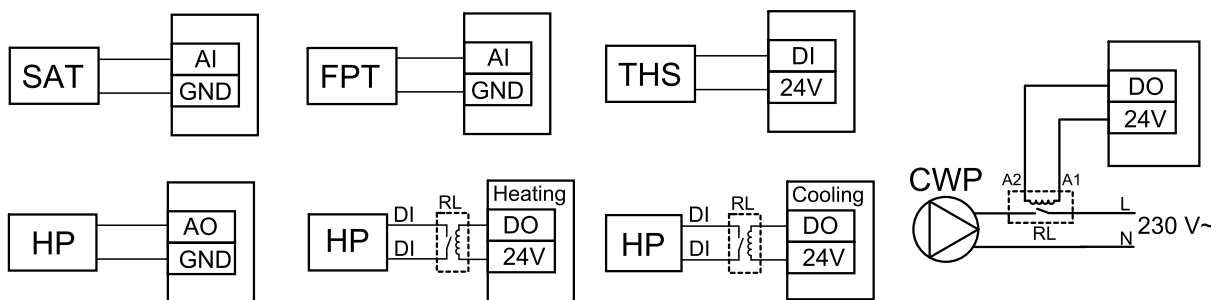


Bild 19 Anbindung DX-Heiz-/Kühlregister

## Konfiguration

Bevor das Change-Over Register aktiviert werden kann, müssen alle Komponenten über die Bedieneinheit konfiguriert werden.

1. Gehen Sie zum **Service / Konfiguration Menü**
2. Geben Sie das Passwort (Standard 1111)
3. Gehen Sie zum Menü **Regelungskomponenten**, wählen Sie **Erhitzer** und als Art **Change-over**. Nehmen Sie ggf. erweiterte Einstellungen vor.  
Gehen Sie zum Menü **Regelungskomponenten**, wählen Sie **Kühler** und als Art **Change-over**. Nehmen Sie ggf. erweiterte Einstellungen vor.
4. Steuersignal der Wärmepumpe o.ä. konfigurieren. Gehen Sie zum Menü **Service**. Wählen Sie das Menü **Ausgänge**. Im nächsten Menü wählen Sie Registerkarte **ANALOG**. Wählen Sie den Analogausgang, an den das Steuersignal angeschlossen ist. Wenn er zum Beispiel an AO3 auf der Anschlussplatine angeschlossen ist, wählen Sie **ANALOG AUSGANG 3** und **Y1 / Y3 Change-over** aus.
5. Startsignal für die Heizung konfigurieren. Gehen Sie zum Menü **Ausgang**. Wählen Sie die Registerkarte **DIGITAL**. Wählen Sie den Digitalausgang aus, an dem das Heizungsstartsignal der Wärmepumpe angeschlossen ist. Wenn er zum Beispiel an DO1 an der Anschlussplatine angeschlossen ist, wählen Sie **DIGITAL AUSGANG 1** und **Stufenregler Y1 Heizen** aus der Liste.
6. Startsignal für die Kühlung konfigurieren. Gehen Sie zum Menü **Ausgang**. Wählen Sie die Registerkarte **DIGITAL**. Wählen Sie den Digitalausgang aus, an dem das Kühlungsstartsignal der Wärmepumpe angeschlossen ist. Wenn er

zum Beispiel an DO2 an der Anschlussplatine angeschlossen ist, wählen Sie **DIGITAL AUSGANG 2** und **Stufenregler Y3** Kühlung aus der Liste.

7. Frostschutzsensor (FPT) konfigurieren. Gehen Sie zurück zum **Eingänge**-menü. Wählen Sie die Registerkarte **ANALOG**. Wählen Sie den analogen Eingang, an den der Frostschutzsensor angeschlossen ist. Beispiel, wenn es an AI6 auf der Anschlussplatine angeschlossen ist, dann wählen **ANALOG EINGANG 6** und wählen **Frostschutztemperatursensor (FPT)** aus der Eingabetypliste.
8. Konfigurieren Sie das Temperaturrückmeldesignal von der Rohrleitung oder der Wärmepumpe. Gehen Sie zum Menü **Eingänge**. Wählen Sie die Registerkarte **UNIVERSAL**. Wählen Sie den universellen Eingang, an den das Rückmeldekabel angeschlossen ist. Wenn er zum Beispiel an UI1 auf der Anschlussplatine angeschlossen ist, dann wählen Sie **UNIVERSAL EINGANG 1**. Stellen Sie den Signaltyp als **Digitaleingang** ein und wählen Sie eine Option **Change-over Feedback** aus der Liste der Eingabetypen.
9. Wenn ein Kanaltemperaturfühler den internen Zulufttemperatursensor ersetzt, muss er nicht neu konfiguriert werden.



### Hinweis!

Ein Kanaltemperaturfühler kann an die Analogeingänge 6-7 an der Anschlussplatine angeschlossen werden, um einen einfacheren Zugang zu gewährleisten und dann als Zulufttemperatursensor konfiguriert werden. Der interne Zulufttemperaturfühler muss jedoch zuerst im Bedienfeld deaktiviert werden.

10. Das Relais für die Steuerung der Wasserpumpe konfigurieren. Gehen Sie zum Menü **Ausgang**. Wählen Sie die Registerkarte **DIGITAL**. Wählen Sie den Digitalausgang, an den das Relais angeschlossen ist. Wenn er zum Beispiel an DO3 an der Anschlussplatine angeschlossen ist, wählen Sie **DIGITAL AUSGANG 3** und **Start/Stop Pumpe Change-over Y1/Y3** aus der Liste.

## 11.4 Luftstromregelung

### 11.4.1 CAV/VAV Set

Das CAV/VAV Set wird für die Volumen- oder Druckkonstantregelung von SAVE Wohnungsgeräten eingesetzt.



### Hinweis!

Das Zubehörpaket enthält alle benötigten Komponenten für die VAV-Regelung, jedoch muss bei Verwendung für die CAV-Regelung zwei IRIS-Blenden oder ein ähnliches Produkt mit einem bekannten K-Faktor verwendet werden.

#### Komponente/Produkt – Artikelnummer:

- SAVE CAV/VAV Set – 140777
- SPI-125 C Irisblende – 6751

#### Installation und Anbindung

- Befolgen Sie die Anweisungen im Handbuch, das mit dem Zubehör geliefert wird.

## 11.5 Installation / Wartung

### 11.5.1 Außen- / Abluftklappe

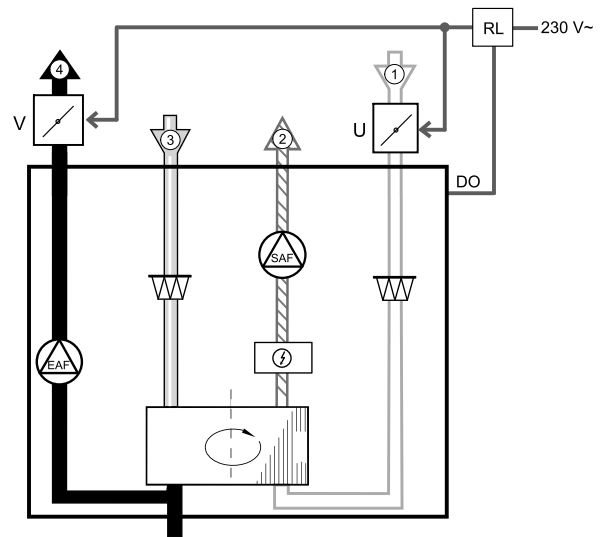


Wenn der manuelle Ventilatorstopp aktiviert ist, sollte das Gerät mit Absperrklappen in der Außen- und Abluft ausgestattet sein. Damit wird kalte Zugluft und Kondensation bei Stillstand der Anlage vermieden. Des Weiteren sind die Absperrklappen bei Verwendung von einem Wassernachheizregister zu empfehlen.

- RL - Relais Box
- U - Frischluftklappe
- V - Fortluftklappe
- 1 - Außenluft
- 2 - Zuluft
- 3 - Abluft
- 4 - Fortluft

#### Komponente/Produkt – Artikelnummer:

- TUNE-R-125-3-M4 (U/V) – 311968
- Relais-Kit:  
RMK – 153549
- Relais-Kit mit Transformator für 24 VAC-Klappen:  
RMK-T – 153548



Alle möglichen Anschlussvarianten entnehmen Sie bitte dem mitgelieferten Anschlussplan.



#### Hinweis!

24 VAC Klappen können nur über eine Relaisbox mit Transformator gespeist und gesteuert werden (Artikelnummer: 153548).

Dieser Installationsvorgang beschreibt den Anschluss von 230 V~ gespeisten Klappen mit einer Relaisbox ohne Transformator (Artikelnummer: 153549).

#### Installation und Anschluss

1. Absperrklappen einbauen (U/V).
2. Steuerleitungen (24V, DO) aus der Relaisbox (RL) an einen beliebigen freien Digitalausgang auf der Anschlussplatine (CB) anschließen.
3. Schließen Sie die Versorgungsleitungen (N) der Klappen an den Klemmenblock an. Steuersignalleitungen (Y, Leitung) von Klappen an Relaissockelklemmen (11, 21) anschließen. Siehe Abbildung.

Bei Verwendung einer Klappe ohne Federrücklauf muss eine zusätzliche Stromleitung (L) an den Klemmenblock angeschlossen werden, da diese eine konstante Spannungsversorgung benötigt.

4. Versorgungsleitungen (L, N) aus der Relaisbox an die 230 V~ Stromquelle anschließen.

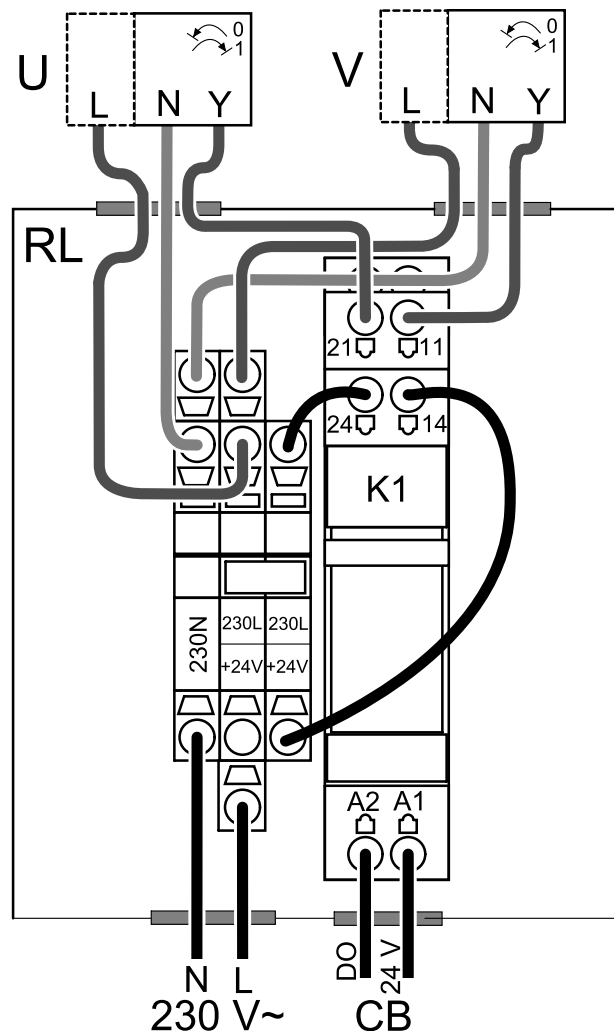


Bild 3 Anbindung Absperrklappen

#### Konfiguration

1. Gehen Sie zum Service / Konfiguration Menü
2. Geben Sie das Passwort (Standard 1111)

3. Stellsignal zum Relais konfigurieren. Gehen Sie zum Menü *Ausgang*. Wählen Sie die Registerkarte **DIGITAL**. Wählen Sie den Digitalausgang, an den das Relais angeschlossen ist. Wenn er zum Beispiel an DO3 an der Anschlussplatine angeschlossen ist, wählen Sie **DIGITAL AUSGANG 3** und als Signalart **Außen-/Abluftklappe** aus.

### 11.5.2 Mehrere Bedieneinheiten

Mehrere Bedieneinheiten (bis zu 10) können mit Hilfe von Verteilersteckern an ein Gerät angeschlossen werden. Ein einziger Verteilerstecker ermöglicht den Anschluss von zwei Bedieneinheiten. Ein Verteilerstecker kann an einen anderen Verteilerstecker angeschlossen werden, um die Anzahl der gleichzeitig anschließbaren Bedieneinheiten weiter zu erhöhen.

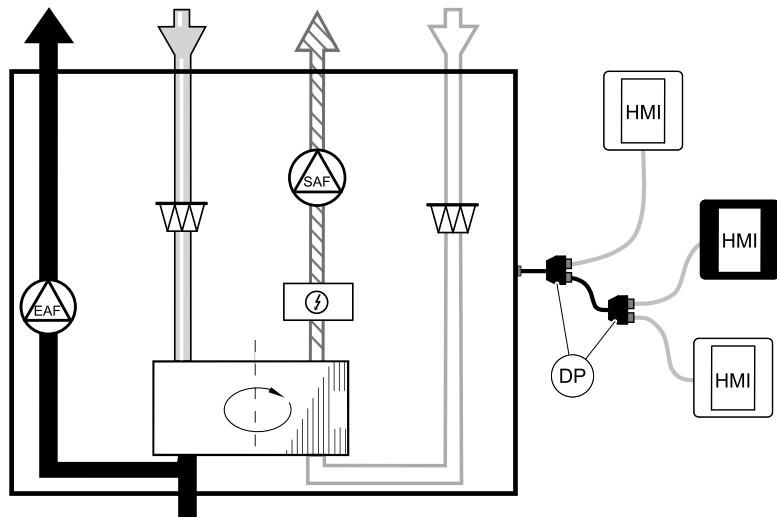


#### Hinweis!

- Wird die 24-V-Stromversorgung auf der Anschlussplatine (CB) für andere Geräte verwendet, verringert sich die Anzahl der Bedieneinheiten, die vom Gerät versorgt werden können.
- Eine einzelne aktive Bedieneinheit nimmt 50 mA auf. Die Anschlussplatine liefert bis zu 250 mA. Wenn kein anderes Zubehör, welches 24V benötigt verwendet wird, können bis zu 5 Bedieneinheiten ohne externe Stromversorgung angeschlossen werden. Für den Anschluss von mehr als 5 Bedieneinheiten ist eine externe Stromversorgung erforderlich.

Die Bedieneinheit ist in schwarz oder weiß erhältlich.

- DP - Verteilerstecker
- HMI - Bedieneinheit



#### Komponente/Produkt – Artikelnummer:

- SAVE Touch- und CE/CD-Kupplung - 37367
- VK-12 Verbindungskabel 12m - 24782
- VK-6 Verbindungskabel 6m - 24783
- HMI Weiß – 138077
- HMI Schwarz – 138078

#### Installation und Anschluss

1. Den Verteilerstecker an die Anschlussdose für externes Bedienfeld (HMI) oder Internetzugangsmodul (IAM) anschließen.
2. Schließen Sie die Bedieneinheiten mit den empfohlenen Kabeln oder einem beliebigen Kabel mit RJ22-Steckern an.



#### Hinweis!

Die maximal unterstützte Kabellänge beträgt 50 Meter.

#### Konfiguration

1. Gehen Sie zum *Service / Konfiguration* Menü
2. Geben Sie das Passwort (Standard 1111)
3. Gehen Sie zu *Kommunikation* ⇒ *HMI Adresse* und ändern Sie die Adressnummer. Wiederholen Sie diese Schritte für jede angeschlossene Bedieneinheit.

Jede Bedieneinheit muss seine eigene eindeutige Adressnummer haben. Keine Bedieneinheit sollte den gleichen Adresswert haben, um richtig zu funktionieren.

## 11.6 Filter

Verschmutzte Filter müssen ausgetauscht werden. Neue Filter sollten möglichst direkt von Systemair erworben werden, um die Qualitätsstandards der Filter zu erfüllen. Sollte dies nicht möglich sein, wenden Sie sich bitte an Ihren Installateur oder Großhändler.

Der Filtertyp ist auf der Oberseite des Filters angegeben.

### **Komponente/Produkt – Artikelnummer:**

- PFVTR 150 M5/ePM10 60% Zuluft – 211121
- PFVTR 150 M5/ePM10 60% Abluft – 211120
- PFVTR 150 F7/ePM1 55% Zuluft – 211122



©Tekijänoikeus Systemair UAB

Kaikki oikeudet pidätetään

E&OE

Systemair UAB pidättää itsellään oikeuden tehdä muutoksia tuotteisiinsa ilman erillistä ilmoitusta.

Tämä koskee myös jo tilattuja tuotteita edellyttäen, että se ei vaikuta aikaisemmin sovittuihin erittelyihin.

Systemair myöntämä takuu ei ole voimassa eikä Systemair ole korvausvelvollinen, jos näitä ohjeita ei noudateta asennuksen ja huollon aikana.



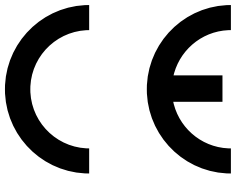
# Sisällysluettelo

1	Vaatimustenmukaisuusvakuutus.....	171	7.7.2	Hälytykset.....	186
2	Hävittäminen ja kierrätys .....	172	7.7.3	Viikkoaikataulu.....	189
3	Varoitukset .....	172	7.7.4	Suodatin.....	190
4	Tästä asiakirjasta.....	172	7.7.5	Järjestelmäasetuk- set.....	190
5	Tuotteen kuvaus .....	172	7.7.6	Huolto .....	191
5.1	Yleistä .....	172	7.7.7	Ohje.....	198
5.2	Suositus asennukseen koskien kosteuden tiivistymistä.....	173	8	Sähköliitännät.....	198
5.2.1	Tiivistyminen koneen sisällä .....	173	8.1	Pääpiirilevy .....	199
5.2.2	Kosteuden tiivistyminen laitteen ulkopuolelle .....	173	8.2	Ulkoiset liitännät (Liitântäkotelo).....	200
5.3	Kuljetus ja säilytys .....	173	9	Ennen järjestelmän käynnistämistä .....	201
5.4	Tekniset tiedot.....	174	10	Huolto .....	201
5.4.1	Mitat ja paino .....	174	10.1	Varoitukset .....	201
5.4.2	Oikea- ja vasenkätisen mallin liitännät .....	175	10.2	Sisäiset komponentit.....	202
5.4.3	Järjestelmäkäyrät .....	175	10.3	Komponenttien kuvaus.....	202
5.4.4	Tehonkulutus ja varokekoko.....	176	10.3.1	Puhaltimet.....	202
6	Asennus.....	177	10.3.2	Suodattimet.....	203
6.1	Pakkauksesta purkaminen.....	177	10.3.3	Lämmönvaihdin .....	203
6.2	Mihin / miten laite asennetaan.....	177	10.3.4	Pääpiirilevy .....	203
6.3	Asennus SAVE VTR 150/K .....	177	10.3.5	KytKentärasia .....	203
6.4	Etupaneelin irrotus/asennus .....	178	10.3.6	Lämpötila-anturit .....	203
6.5	Etulevyn irrotus/asennus .....	179	10.3.7	Kosteusanturi .....	203
7	Määrittely.....	179	10.3.8	Sähkölämmityspatteri .....	203
7.1	Yleistä .....	179	10.3.9	Ylikuumenemisanturin palautuspainike.....	203
7.2	Startup-avustaja .....	179	10.4	Roottorin käyttöihnan vaihtaminen.....	204
7.3	Yleisiä merkkejä.....	179	10.5	Vianetsintä .....	204
7.4	Valikkokatsaus.....	180	11	Lisävarusteet.....	206
7.5	Aloitussyttö.....	181	11.1	Internet-moduuli (IAM).....	206
7.5.1	Käyttötavat.....	181	11.1.1	Koneen kauko-ohjauksen asetusten määrittäminen.....	207
7.5.2	Lämpötila-asetukset .....	183	11.2	Sisäilman laatuanturit.....	208
7.5.3	Ilmavirta-asetukset.....	183	11.3	Lämpötilan säätö.....	210
7.5.4	Sisäilman laatu .....	184	11.3.1	Sähköinen kanavaetulämmitin.....	210
7.5.5	Tilannerivit.....	184	11.3.2	Kanavalämmitin (lämminvesipatteri) .....	211
7.6	Toimintokuvakkeiden kuvaus.....	184	11.3.3	Kanavajähdytyn (vesi).....	213
7.7	Päävalikko .....	185			
7.7.1	Tiedot laitteesta .....	185			

11.3.4	Lämmityksen/jäähdytyksen yhdistelmäpatteri.....	215
11.4	Ilmavirran ohjaus.....	217
11.4.1	VAV-/CAV muunnospaketti.....	217
11.5	Asennus/huolto.....	217
11.5.1	Ulkoilma-/ poistoilmapellit.....	217
11.5.2	Useiden ohjauspaneelien käyttö.....	218
11.6	Suodattimet.....	219

# 1 Vaatimustenmukaisuusvakuutus

## Valmistaja



Systemair UAB  
 Linų st. 101  
 LT-20174 Ukmergė, LITHUANIA  
 Puh: +370 340 60165 Faksi: +370 340 60166  
 www.systemair.com

### vakuuttaa, että seuraava tuote:

Lämmön talteenottoyksikkö: SAVE VTR 150/K

(Tämä vakuutus koskee tuotetta siinä kunnossa, missä se on toimitettu ja asennettu asennusohjeiden mukaisesti. Vakuutus ei koske tuotteeseen jälkikäteen asennettuja komponentteja eikä tuotteelle tehtyjä toimenpiteitä).

### täyttää seuraavien direktiivien kaikki sovellettavat vaatimukset:

- Konedirektiivi 2006/42/EY
- Matalajännitedirektiivi 2014/35/EU
- EMC-direktiivi 2014/30/EU
- Ecodesign-direktiivi 2009/125/EY
- RoHS-direktiivi 2011/65/EU

### Seuraavia asetuksia on noudatettu soveltuvin osin:

1253/2014	Vaatimukset ilmanvaihtokoneille
1254/2014	Asuntoilmanvaihtokoneiden energiamerkintä
327/2011	Vaatimukset puhaltimille, joiden teholuokitus on 125-500 W

### Seuraavia yhdenmukaistettuja standardeja on käytetty:

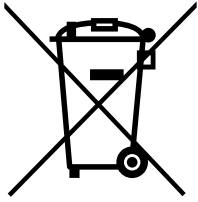
EN ISO 12100:2010	Koneiden turvallisuus - Yleiset suunnitteluperiaatteet - riskiarviointi ja riskien vähentäminen
EN 13857	Koneturvallisuus. Turvaetäisyydet yläraajojen ja alaraajojen ulottumisen estämiseksi vaaravyöhykkeille
EN 60 335-1	Kotitaloussähkölaitteiden ja vastaavien turvallisuus. Osa 1: Yleiset vaatimukset
EN 60 335-2-40	Kotitaloussähkölaitteiden ja vastaavien turvallisuus. Osa 2-40: Sähköisten lämpöpumppujen, ilmastointilaitteiden ja kosteudenpoistolaitteiden erityisvaatimukset
EN 62233	Kotitaloussähkölaitteiden ja vastaavien sähkömagneettisten kenttien aiheuttaman altistumisen mittausten menetelmät
EN 50 106:2007	Kotitaloussähkölaitteiden ja vastaavien turvallisuus. Standardien EN 60 335-1 ja EN 60967 piiriin kuuluville laitteille suoritettavien rutiinitestien erityisohjeet
EN 61000-6-2	Sähkömagneettinen yhteensopivuus (EMC). Osa 6-2: Yleiset standardit – Häiriönsieto teollisuusympäristöissä
EN 61000-6-3	Sähkömagneettinen yhteensopivuus (EMC). Osa 6-3: Yleiset standardit – Häiriön päästöt kotitalous-, toimisto- ja kevyen teollisuuden ympäristöissä

Skinnskatteberg, 11-10-2017

Mats Sándor

Tekninen johtaja

## 2 Hävittäminen ja kierrätys



Tämä tuote on WEEE-direktiivin mukainen. Hävittäessäsi laitteen noudata paikallisia sääntöjä ja määräyksiä. Tämä pakkausmateriaali on kierrätettävää ja sitä voidaan käyttää uudelleen. Älä hävitä talousjätteiden mukana.



## 3 Varoitukset



### Vaara

- Varmista, että kone on kytketty irti sähköverkosta ennen huolto- ja sähkötyitä!
- Kaikki sähköliitännät ja huoltotyöt on teetettävä valtuutetulla asentajalla paikallisten määräysten mukaisesti.



### Varoitus

- Tätä konetta saa käyttää ja huoltaa vain sellainen henkilö / sellaisen henkilön valvonnassa, jolla on riittävät tiedot tai koulutus laitteesta ja ilmanvaihdosta.
- Varo teräviä reunoja asennuksen ja huollon yhteydessä. Käytä suojakäsineitä.



### Varoitus

- Vaikka verkkovirta on irrotettu, on olemassa vaara, että pyörivät osat eivät ole täysin pysähtyneet.

### Tärkeää

- Yksikön ja ilmanvaihtojärjestelmän asennustyöt on teetettävä valtuutetulla asentajalla paikallisten määräysten mukaisesti.
- Järjestelmän tulee olla päällä jatkuvasti ja se pitää pysäyttää vain kunnossapitoa/huoltoa varten.
- Älä kytke kuivausrumpuja ilmanvaihtojärjestelmään.
- Kanavaliitännät/kanavien päät tulee suojata varastoinnin ja asennuksen ajaksi.
- Varmista ennen yksikön käynnistämistä, että suodattimet on asennettu.

## 4 Tästä asiakirjasta

Tämä asennusohje koskee SAVE VTR 150/K Systemair:in valmistamaa ilmankäsittelylaitetta.

Tämä käsikirja sisältää perustiedot ja suositukset laitteen suunnittelusta, asennuksesta ja käyttöönotosta laitteen oikean toiminnan varmistamiseksi.

Oikean ja turvallisen käytön varmistamiseksi lue tämän käsikirja huolellisesti, käytä konetta ohjeiden mukaan ja noudata kaikkia turvallisuusohjeita.

## 5 Tuotteen kuvaus

### 5.1 Yleistä

SAVE VTR 150/K on lämmön talteenottoyksikkö sisäänrakennetulla pyörivällä lämmönsiirtimellä. SAVE VTR 150/K sopii pienempiin huoneistoihin ja taloihin. Se syöttää suodatettua ulkoilmaa asuintiloihin ja poistaa ilmaa kylpyhuoneesta, keittiöstä ja märkätiloista.

Malliversioita on kaksi, oikea- (R) ja vasenkätinen (L) (kuva 1). Eri mallit tunnistaa sisäisten tuloilmaliitännästä, joka on yksikön vasemmalla puolella vasenkätisessä (L) mallissa ja yksikön oikealla puolella oikeakätisessä (R) mallissa. Mo-lemmissa malleissa on valmiiksi asennettu 500 W tai 1000 W lämmityspatteri.

## 5.2 Suositus asennukseen koskien kosteuden tiivistymistä

### 5.2.1 Tiivistyminen koneen sisällä

Kun laite on asennettu viileään tilaan, laitetta on käytettävä jatkuvasti. Jos laite on tarkoitus pysäyttää manuaalisesti tai kalenteritoiminnon takia, suosittelemme asentamaan ilmatiivit sulkupellit poisto- ja tuloilma-kanavistoihin. Pellit varmistavat, että rakennuksen lämpimistä osista ei pääse ilmaa laitteen kautta ulos (savupiippuvaikutus). Jos peltejä ei ole asennettu, koneeseen tai kanaviin saattaa tiivistyä kosteutta pysäytysjaksojen aikana. Voi myös olla mahdollista, että ulkopuolelta tuleva kylmä ilma kulkee yksikön läpi rakennukseen. Tämä voi aiheuttaa kosteuden tiivistymistä tulo- ja poistoilmakanavien ulkopinnoille ja jopa huoneiden venttiileihin.

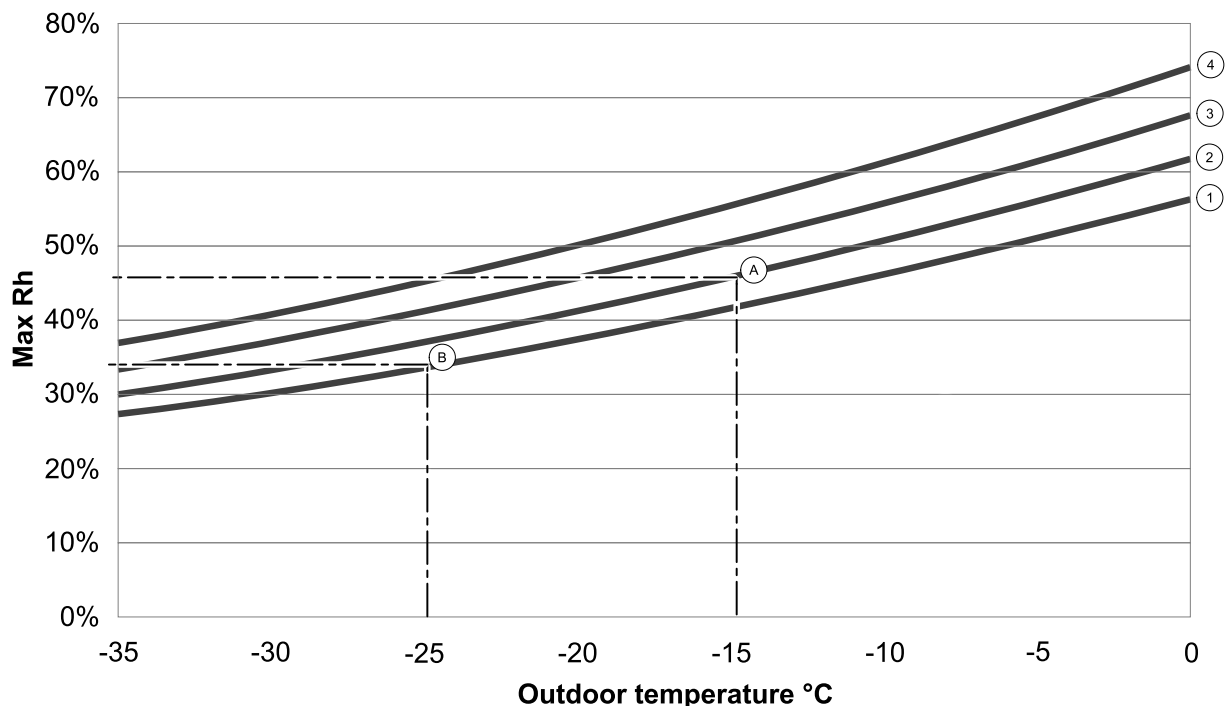
Kun laite ei ole toiminnassa viivästyneen käyttöönoton takia talvella, tulo- ja poistoilmakanavat on kytkettävä irti laitteesta ja tulpattava edellä mainittujen tiivistymisvaarojen vuoksi.

### 5.2.2 Kosteuden tiivistyminen laitteen ulkopuolelle

Kun laite on sijoitettu lämpimiin kosteisiin tiloihin (kuten pesula) ja ulkona on kylmää, kosteus voi tiivistyä tiettyihin kohtiin kotelon ulkopuolelle. Alla oleva käyrästä näyttää, miten kosteuden tiivistyminen laitteen ulkopinnalle riippuu sisälämpötilasta, ulkolämpötilasta ja sisäilman kosteudesta. Kosteuden tiivistymistä laitteen ulkopuolelle ei esiinny käyrien alapuolella olevilla vyöhykkeillä.

#### Tärkeää

Suositus: Jos tiivistymistä ilmenee, lisää ilmanvaihtoa laitteen läheisyydessä.



1. Huonelämpötila 20°C
2. Huonelämpötila 22°C
3. Huonelämpötila 24°C
4. Huonelämpötila 26°C

Esimerkkejä siitä, milloin laitteen ulkopinnalle saattaa tiivistyä kosteutta:

**Esimerkki A:** Jos kone on asennettu huoneeseen, jossa lämpötila on 22°C, ulkolämpötila on -15°C, kastetta alkaa kertyä, kun suhteellinen kosteus on 46% tai enemmän.

**Esimerkki B:** Jos kone on asennettu huoneeseen, jossa lämpötila on 20°C, ulkolämpötila on -25°C, kastetta alkaa kertyä kun suhteellinen kosteus on 34 % tai enemmän.

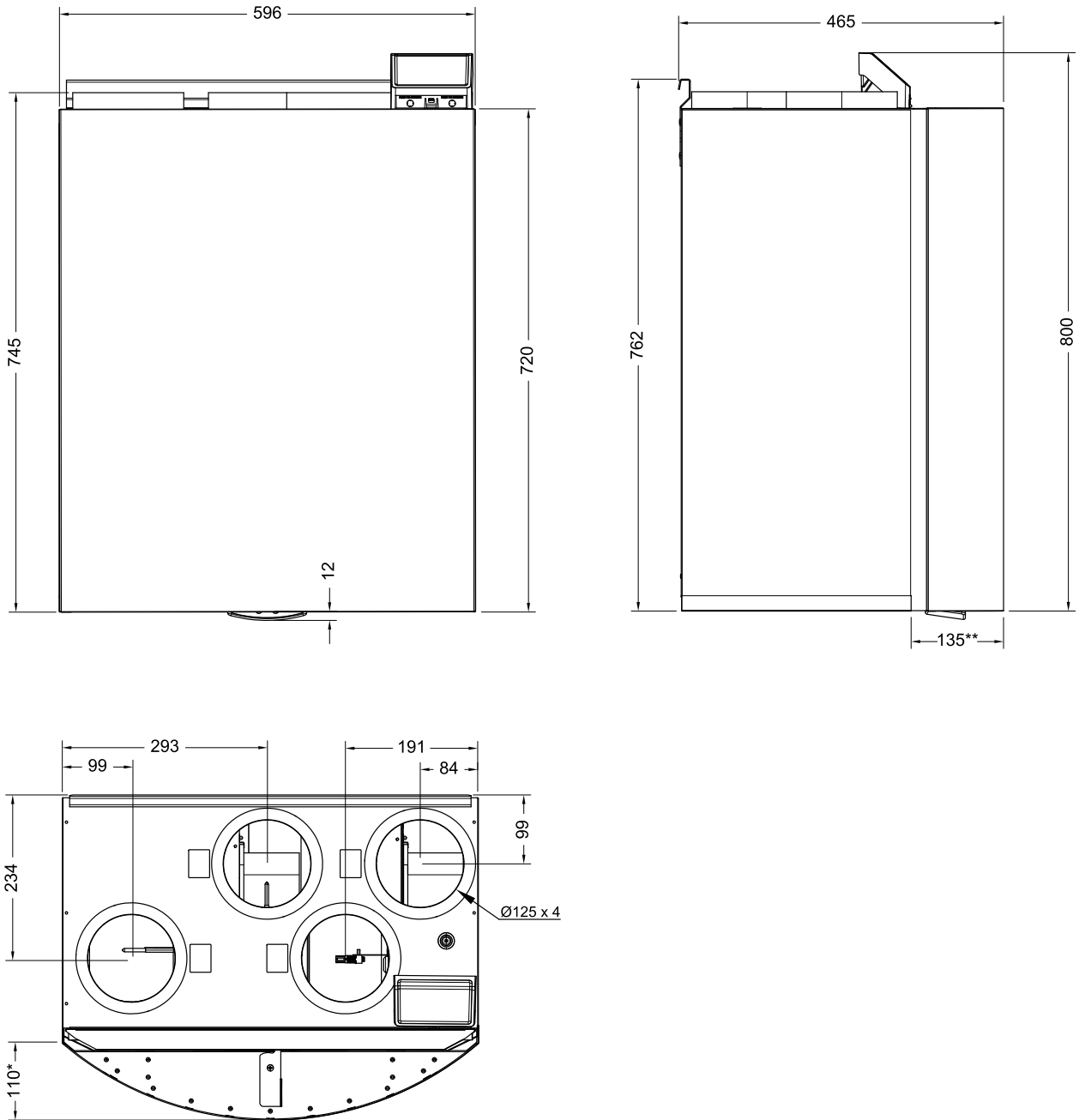
## 5.3 Kuljetus ja säilytys

SAVE VTR 150/K tulee varastoida ja kuljettaa niin, että se on suojattu kolhuilta, jotka voivat vahingoittaa paneeleja jne. Se tulee peittää niin, etteivät pöly, sade ja lumi pääse tunkeutumaan yksikköön ja vahingoittamaan sitä ja sen komponentteja.

Koneet toimitetaan koottuna kaikkine komponentteineen ja muovikätreessä kuormalavalle pakattuna kuljetuksen helpottamiseksi.

## 5.4 Tekniset tiedot

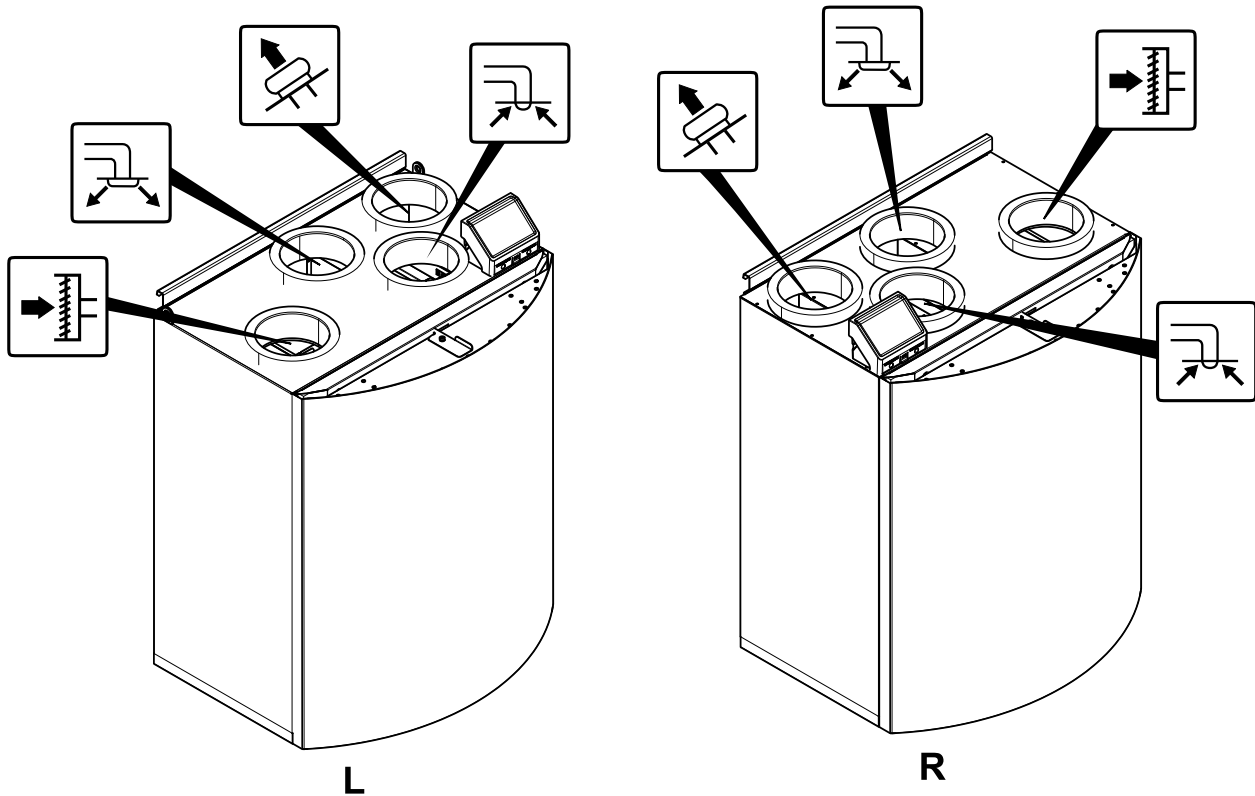
### 5.4.1 Mitat ja paino



Kuva 1 Vasenkätisen laitteen mitat

Yksikön paino on 61 kg.

### 5.4.2 Oikea- ja vasenkätisen mallin liitännät



Kuva 2 Oikea- ja vasenkätiset mallit

Viite	Kuvaus
R	Oikeakätinen malli (tuloilмалиitäntä on koneen oikealla puolella edestä katsottuna)
L	Vasenkätinen malli (tuloilмалиitäntä on koneen vasemmalla puolella edestä katsottuna)

Symboli	Kuvaus	Symboli	Kuvaus
	Tuloilma		Ulkoilma
	Jäteilma		Poistoilma

Kanavaliitännät: Ø 125 mm

### 5.4.3 Järjestelmäkäyrät

Ilmanvaihtojärjestelmän paineessa tapahtuvat muutokset vaikuttavat myös ilmavirtaan.

Alla olevat käyrät näyttävät ilmavirran eri tasot:

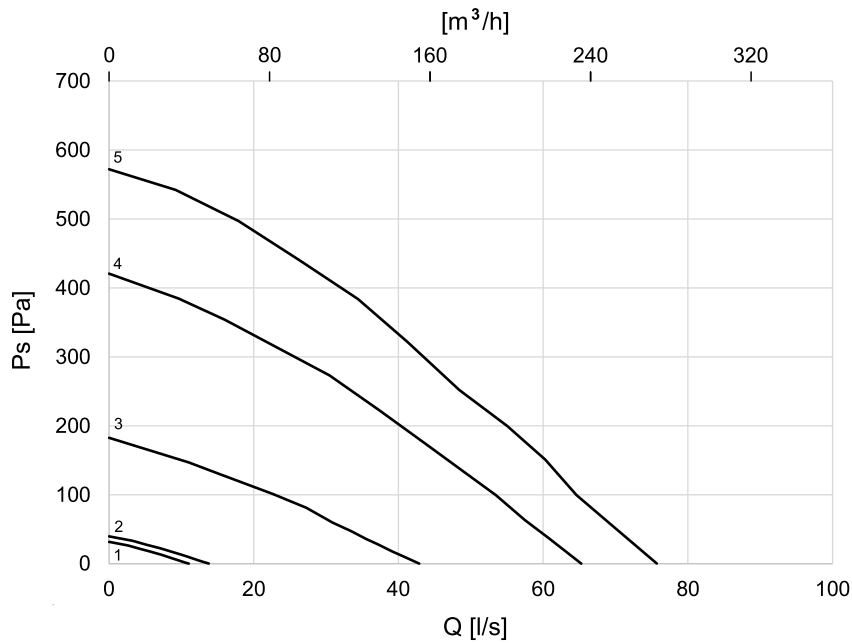
1. 16 % (MINIMITASO)
2. 20 % (MATALA TASO)
3. 50 % (NORMAALI TASO)
4. 80 % (KORKEA TASO)
5. 100 % (MAKSIMITASO)

Ilmavirran tason asetuksia voidaan muokata Huolto-valikon kautta.

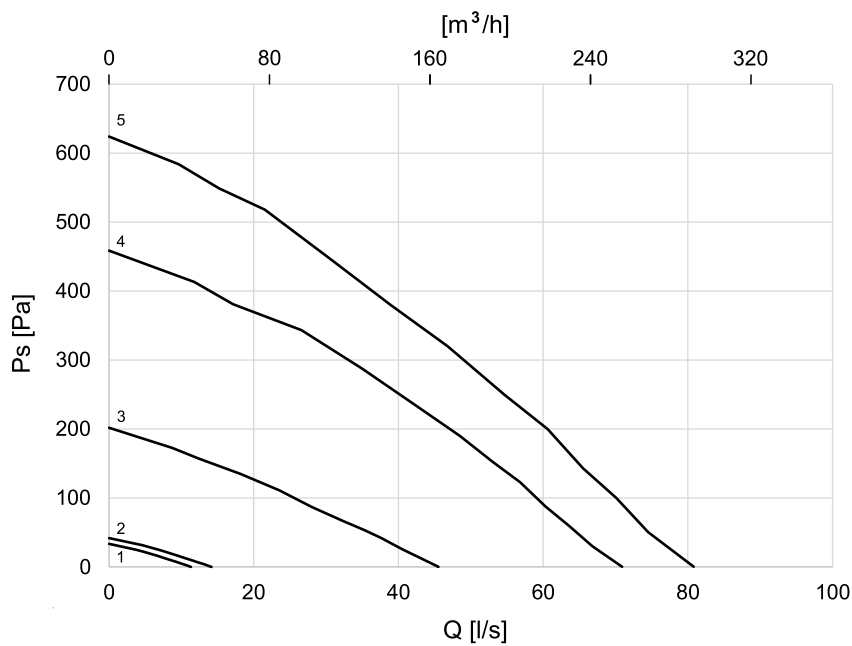
Suodattimien tyyppi ja käytetty suodatinyhdistelmä vaikuttavat järjestelmän paineeseen.

Alla on esitetty ilmavirran tasojen järjestelmäkäyrät vakiosuodattimia käytettäessä.

#### 5.4.3.1 Tuloilma, M5/ePM10 60 %-tyypin suodatin



#### 5.4.3.2 Poistoilma, M5/ePM10 60 %-tyypin suodatin



#### 5.4.4 Tehonkulutus ja varokekoko

SAVE VTR 150/K -yksikköön on valmiiksi asennettu 500 W tai 1000 W lämmityspatterit.

**Taulukko 1 Sähkötiedot**

Lämmityspatterit	500 W	1000 W
Puhaltimet	172 W	
Kokonaistehonkulutus	672 W	1172 W
Varoke	10 A	



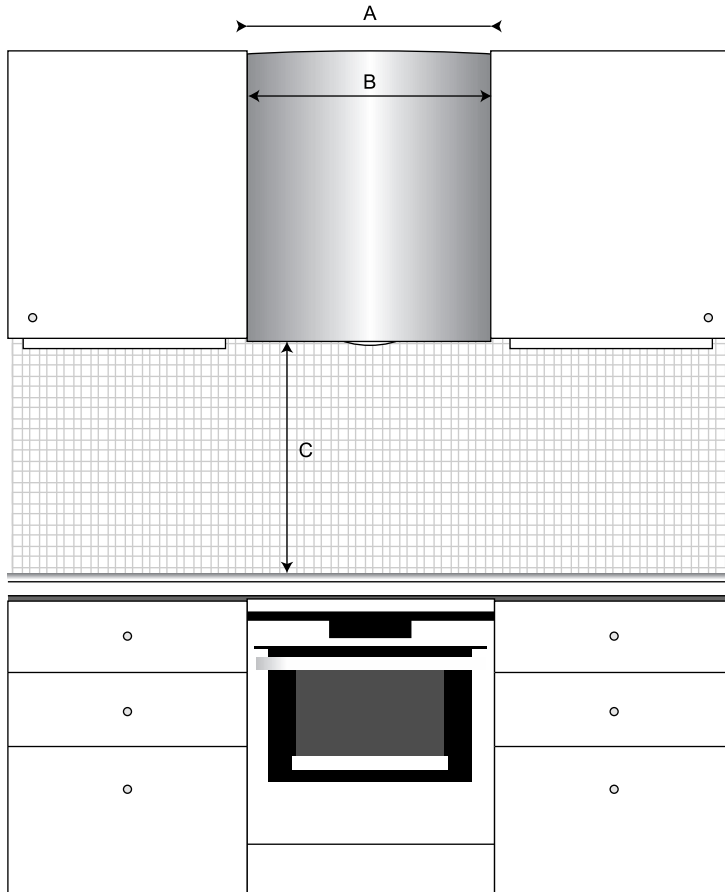
## 6 Asennus

### 6.1 Pakkauksesta purkaminen

Varmista ennen asennuksen aloittamista, että kaikki tilatut tuotteet on toimitettu. Ilmoita poikkeamista välittömästi Systemairin tuotteiden toimittajalle.

### 6.2 Mihin / miten laite asennetaan

SAVE VTR 150/K asennetaan liedin yläpuolelle.



Kuva 3 SAVE VTR 150/K keittiöympäristössä

<b>A</b>	Kaappien välinen minimietäisyys (mm)	600
<b>B</b>	SAVE VTR 150/K -yksikön leveys (mm)	598
<b>C, Sähköliesi</b>	Lieden yläpinnan ja liesituulettimen välinen minimietäisyys (mm)	450 (suositus 500)
<b>C, Kaasuliesi</b>	Lieden yläpinnan ja liesituulettimen välinen minimietäisyys (mm)	650

### 6.3 Asennus SAVE VTR 150/K

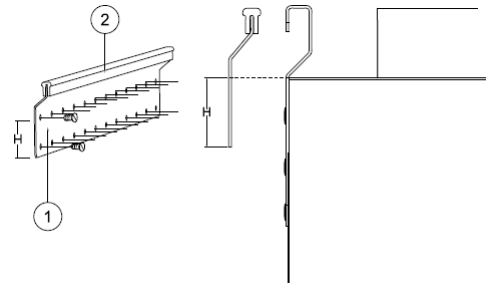
- 1 Valmistele pinta, johon kone kiinnitetään. Varmista, että pinta on tasainen, pystysuora ja että se kantaa koneen painon. Suorita asennus paikallisten määräysten mukaisesti.

- 2 Kiinnitä asennuskannatin (viite 1) värinänvaimentimiseen (viite 2) seinään mukana toimitetuilla ruuveilla. Käytä sopivia reikiä ja ruuvaa asennuskannatin lujasti seinään. Kannattimen alareunan tulee olla 40 mm (H) koneen yläreunan alapuolella.



### Huom!

Varmista, että asennuskannatin on täsmälleen vaakasuorassa, kun se on kiinnitetty seinään. Tarkista vesivaa'alla.



- 3 Nosta kone paikalleen.



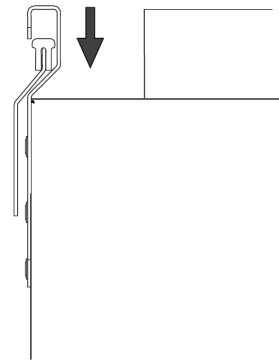
### Varoitus

Varo teräviä reunoja asennuksen ja huollon yhteydessä. Käytä suojakäsineitä. Ota huomioon koneen paino asennuksen yhteydessä!



### Huom!

Varmista, että kone on täsmälleen pysty- ja vaakasuorassa, kun se on asennettu seinälle. Tarkista vesivaa'alla.



- 4 Liitä kone kanavistoon. Varmista, että käytät kaikkia tarvittavia varusteita toimivan ilmanvaihtoratkaisun rakentamiseksi.



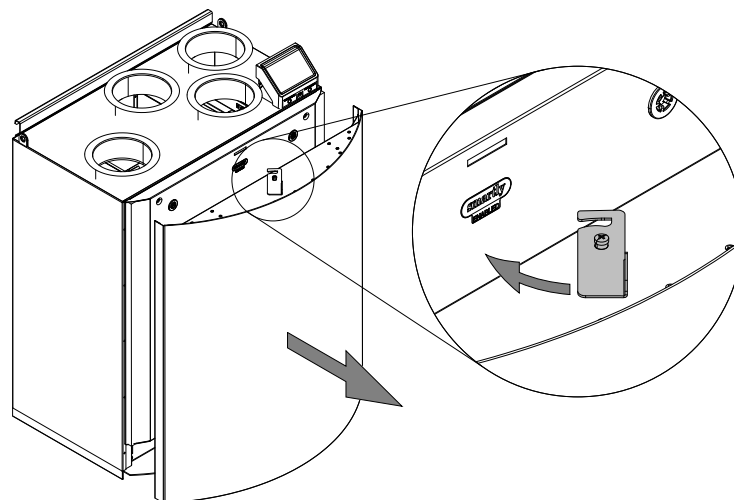
### Varoitus

Koneen ja ilmanvaihtojärjestelmän asennustyöt on teetettävä valtuutetulla asentajalla paikallisten määräysten mukaisesti.

## 6.4 Etupaneelin irrotus/asennus

Etupaneeli on kiinnitetty neljällä tapilla ja se irrotetaan työntämällä lukitushaka vasemmalle ja vetämällä etupaneelia ulospäin.

Etupaneelin asennus tapahtuu päinvastaisessa järjestyksessä.



Kuva 4 Etupaneelin irrotus/asennus

## 6.5 Etulevyn irrotus/asennus

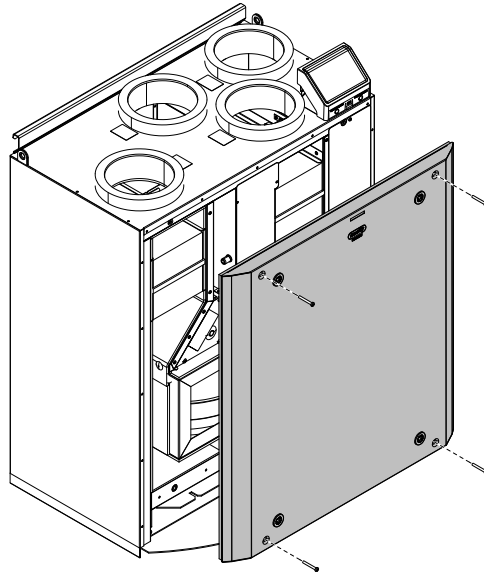
Etulevy on kiinnitetty neljällä ruuvilla. Irrota ruuvit ja vedä etulevyä ulospäin.

Asenna etulevy ja kiristä kiinnitysruuvit kunnolla ilmavuodon estämiseksi.



### Huom!

Huomaa etulevyä asentaessasi sen pohjassa olevat kaksi ohjainruuvia. Nämä ruuvit asetetaan etulevyn tukikannattimen kahteen uraan.



Kuva 5 Etulevyn irrotus/asennus

## 7 Määrittely

### 7.1 Yleistä

SAVE VTR 150/K -koneissa on nykyaikainen nestekidekosketusnäytöllä varustettu ohjauspaneeli (HMI-käyttöliittymä). Kosketusnäyttö näyttää koneen tilaan liittyvät tiedot, ja kaikkia järjestelmän toimintoja voidaan hallita sen kautta.

Asetukset tehdään koskettamalla kuvakkeita tai valikon rivejä. Kosketusnäyttö on herkkä eikä sitä tarvitse painaa liian kovaa.

### 7.2 Startup-avustaja

Kun laitteeseen on kytketty virta ensimmäistä kertaa, sinua pyydetään asettamaan

- valikon kieli
- Aika ja päivämäärä
- Ilmavirran säätötyyppi (manuaalinen/RPM) ja ilmavirran tason arvot
- lämmitintyyppi (Ei mikään/Sähkö/Vesi/Yhdistelmä)

Jos Start-up-avustaja peruutetaan, se käynnistyy uudelleen seuraavan laitteen käynnistyksen aikana. Tämä jatkuu, kunnes Start-up-avustaja on selattu loppuun.

### 7.3 Yleisiä merkkejä

Seuraavat valinta-symbolit ovat yleisiä ja läsnä useimmilla valikkosivulla:



Takaisin-painikkeella siirryt edelliseen valikkoon. Painike sijaitsee vasemmassa yläkulmassa.



Ylös-nuolella lisäät arvoa



Alas-nuolella vähennät arvoa



On ja Off (PÄÄLLÄ / POIS)-liukusäätimellä voidaan aktivoida tai deaktivoida toiminto. Valkoinen kupla - toiminta ei ole aktiivinen, vihreä kupla - toiminto on aktiivinen.

**PERUUTA**

Painikkeella voit peruuttaa muutokset

**ASETA/  
OK**

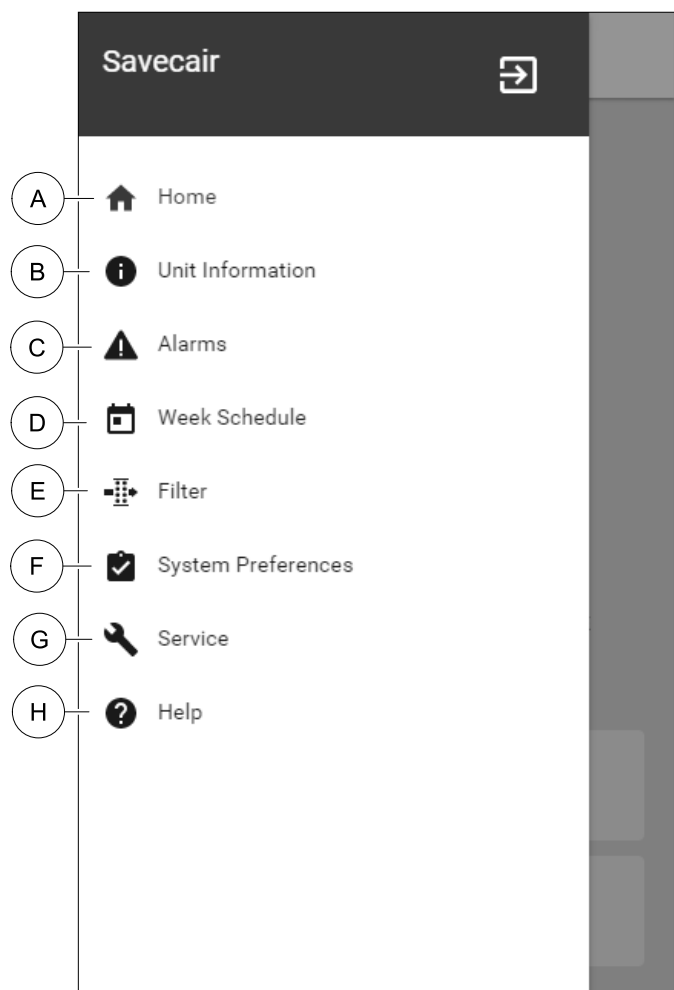
Painikkeet muutosten vahvistamiseksi

Jotkin valikot sisältävät useampia sivuja. Siirry silloin seuraavalle sivulle painamalla näytön oikeassa yläkulmassa olevaa sivukuvaketta. Ensimmäinen numero osoittaa näytetyn sivun numeron ja toinen numero käytettävissä olevien sivujen kokonaismäärän.

Monet vaihtoehdot näkyvät ponnahdusikkunan muodossa. Valitse vaihtoehto ponnahdusikkunassa näkyvästä luettelosta ja vahvista valinta painamalla OK.

## 7.4 Valikkokatsaus

- A. Palaa aloitusnäyttöön
- B. Perustiedot laitteesta
- C. Aktiiviset hälytykset ja hälytyshistoria
- D. Määritä ja tarkista viikkoaikataulu
- E. Tarkista ja vaihda jäljellä oleva aika ennen suodattimen vaihtamista
- F. Järjestelmäasetukset
- G. Kaikkien järjestelmän parametrien määrittäminen
- H. Ohje ja vianmääritys-valikko

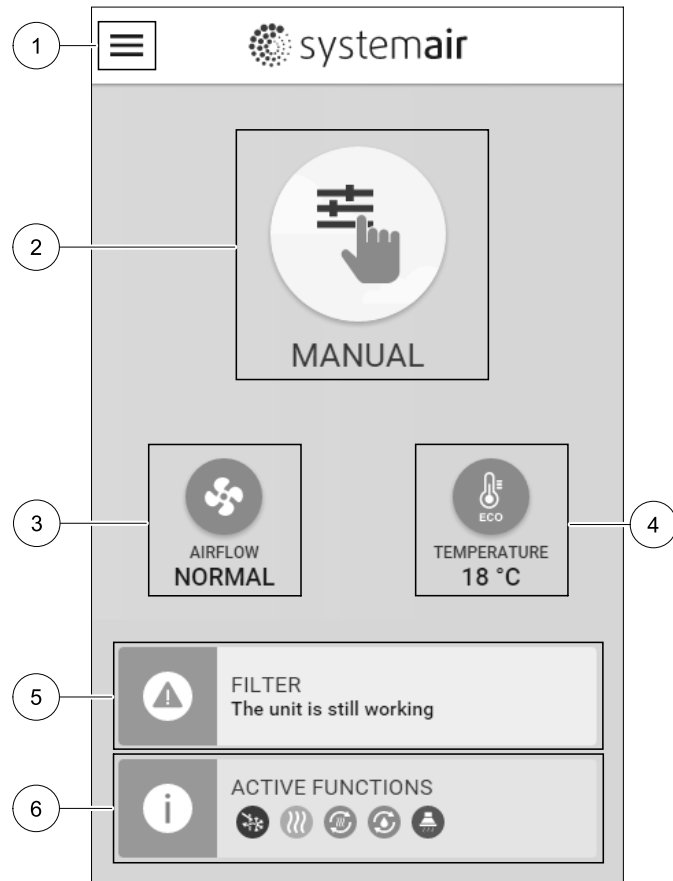


## 7.5 Aloitusnäyttö



Koskettamalla talosymbolia ( A ) pudotusvalikossa ( 1 ) voit aina palata aloitusnäyttöön

1. Pudotusvalikon luettelo
2. Aktiivinen käyttötapa
3. Ilmavirta-asetukset
4. Lämpötila-asetukset
5. Aktiivisten hälytysten luettelo
6. Kuvakkeiden luettelo aktiivisista käyttäjätoiminnoista



### 7.5.1 Käyttötavat

Aloitusnäytön yläosassa oleva ensimmäinen kuvake näyttää aktiivisen käyttötavan. Voit muuttaa käyttötavan painamalla aktiivisen käyttötavan kuvaketta (2) ja valitsemalla uuden käyttötavan. Laitteessa on 2 pysyvää ja 5 tilapäistä käyttötappaa. Vain yksi käyttötapa voi olla aktiivinen kerrallaan.

Kaikkien käyttötappojen asetuksia voidaan muokata Huolto- valikossa.

#### 7.5.1.1 Pysyvät käyttötavat

Pysyvät käyttötavat ovat aina aktiivisia, mutta keskeytyksen voi aiheuttaa tilapäinen käyttötappaa, aktivoitu toiminto tai hälytys

Kuvake

Teksti

Kuvaus



AUTO

Automaattinen ilmavirran ohjaus. AUTO -tila on valittavissa, kun Tarveohjaus, viikkoaikataulu ja / tai ulkoinen puhaltimien ohjaus on määritetty, muuten AUTO tilan kuvaketta ei näy aktiivisten käyttötappojen valikossa. AUTO -tilassa aktivoidaan tarveohjaus, viikkoaikataulu ja / tai ulkoinen puhaltimien ohjaus. Tarveohjaus on valittavissa ilmavirtausasetuksen viikkoaikatauluun.

Manuaalinen ilmavirran valinta. Laitte voidaan asettaa toimimaan yhdellä neljästä käytettävissä olevasta ilmavirtausnopeudesta: Pois/Matala/Normaali/Korkea.



MANUAALINEN








#### Huom!

Puhallin voidaan asettaa POIS sallimalla manuaalinen puhaltimien pysäytys Huolto valikossa.

### 7.5.1.2 Tilapäiset käyttötavat

Tilapäiset käyttötavat ovat aktiivisia tietyn ajanjakson ajan, ellei niitä keskeytä aktiivinen käyttötapa, aktivoitu toiminto tai hälytys.



Kuvake	Teksti	Kuvaus
	LOMA	Asettaa sekä tuloilma- että poistopuhaltimien nopeuden Matala-tasolle, kun käyttäjä on pidemmän aikaa poissa kotoa. ECO-tila on käytössä. Kesto asetetaan päivinä.
	TEHOSTUS	Asettaa sekä tuloilma- että poistopuhaltimien nopeuden Korkea-tasolle ja alentaa lämpötilan asetusarvoa 3 K, kun tilassa on tavallista enemmän ihmisiä. Lämpötilan asetusarvon muutos on oletuksena 3 K. Kesto asetetaan tunteina.
	POISSA	Asettaa sekä tuloilma- että poistopuhaltimen nopeuden Matala-tasolle, kun käyttäjä on lyhyen ajan poissa kotoa. ECO-tila on käytössä. Kesto asetetaan tunteina.
	TUULETUS	Asettaa sekä tuloilma- että poistopuhaltimen nopeuden Korkea-tasolle, jotta sisäilma korvautuu nopeasti raittiilla ilmalla. Kesto asetetaan minuutteina.
	TAKKA	Asettaa tuloilmapuhaltimen nopeuden Korkea-tasolle ja poistopuhaltimen nopeuden Matala-tasolle, jotta takka vetäisi mahdollisimman hyvin. Kesto asetetaan minuutteina.

Kaikkien käyttötapojen asetuksia voidaan muokata Huolto- valikossa.

Väliaikaiset käyttötavat ja aktivoidut toiminnot ovat aktiivisia vain tietyn ajan, sen jälkeen ne päättyvät ja laite siirtyy edelliseen AUTO tai MANUAALINEN tilaan riippuen siitä, mikä oli aktiivinen ennen tilapäistä käyttötapaa tai toimintoa.

### 7.5.1.3 Digitaaliset tulot

Digitaaliset sisääntulotoiminnot ovat aina aktiivisia, kun digitaalinen tulo on aktivoitu.

Kuvake	Teksti	Kuvaus
	Keskuspölynimuri	Toiminto asettaa tuloilmapuhaltimen nopeuden Korkea -tasolle ja poistoilmapuhaltimen Matala -tasolle ylipaineen lisäämiseksi huoneistossa, jotta pölyä voidaan kerätä keskuspölynimurilla paremmin. Toiminto voidaan aktivoida digitaalisen tulon kautta - Keskuspölynimuri.
	Liesikupu	Asettaa tuloilmapuhaltimen nopeuden Korkea -tasolle ja poistoilmapuhaltimen Matala-tasolle, jolloin liesikupu imee paremmin käryä ja höyryä. Toiminto voidaan aktivoida digitaalisen tulon kautta - Liesikupu.

### 7.5.1.4 Digitaalisten sisääntulojen ja käyttötapojen hierarkia

Käyttötavoilla ja toimintatiloilla on eri hierarkia. Käyttötavat, jotka on otettu käyttöön käyttöliittymän tai mobiiliin sovelluksen kautta, kuten POISSA, TEHOSTUS, TAKKA, LOMA ja TUULETUS keskeytyy manuaalisella puhaltimen nopeuden valinnalla AUTO ja MANUAALINEN.

TAKKA -käyttötavalla on korkein prioriteetti. Muut ohjauspaneelin tai sovelluksen kautta aktivoitavat käyttötavat voivat keskeyttää toisensa.

Jos TAKKA käyttötapa on kiinteästi kytketty liitäntäkorttiin ja määritetty digitaalituloksi (DI), sillä on korkeampi prioriteetti kuin AUTO ja MANUAALINEN-käyttötavoilla. Digitaalinen tulo TAKKA -toiminnolla on myös korkeampi prioriteetti kuin muilla kiinteillä digitaalisilla tuloilla (DI) POISSA, KESKUSPÖLYNIMURI, LIESIKUPU, TEHOSTUS, LOMA tai TUULETUS.

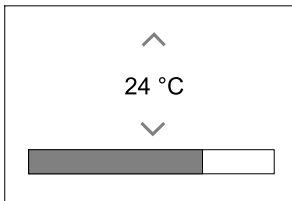
#### Digitaalisten sisääntulojen ja käyttötapojen hierarkia

1. ULKOINEN PYSÄYTYS
2. TAKKA
3. LIESIKUPU, KESKUSPÖLYNIMURI, TEHOSTUS, TUULETUS
4. POISSA, TEHOSTUS

## 7.5.2 Lämpötila-asetukset



Lämpötila voidaan asettaa kohdassa **ASETA LÄMPÖTILA** jonne pääset aloitusnäytöstä koskettamalla lämpömittarin kuvalla varustettua **LÄMPÖTILA** -kuvaketta. Oletuslämpötila on 18°C (12- 30°C).



Vaihda arvoa ylös- ja alas-nuolilla tai liukusäätimellä.

Vahvista muutokset painamalla OK-painiketta.

Lämpötilan asetusarvo on huoneilman lämpötilalle, tuloilman lämpötilalle tai poistoilman lämpötilalle riippuen siitä, mikä säätötapa on aktiivinen. Oletusasetus on Tuloilman lämpötilan ohjaus.

Lämpötilan säätötapaa voidaan muuttaa Huolto -valikossa.

### 7.5.2.1 ECO-tila



ECO-tila on virransäästötoiminto, joka voidaan aktivoida **ASETA LÄMPÖTILA** -valikossa.

ECO-tila on käytettävissä vain, jos järjestelmään on asennettu sisäinen lämmitin.

Kun ECO-tila on aktiivinen, jälkilämmittimen aktivoitumiseen ohjelmoitu lämpötila alenee.

Jos lämpötila on hyvin alhainen ja lämmitin aktivoituu yöllä (jopa alhaisemmalla lämpötilan asetusarvolla), tulevan päivän aikana sisäilman lämpötilaa lisätään lämmönvaihtimen avulla siten, että kertynyttä lämpöä voidaan käyttää seuraavan kylmän yön aikana.

ECO tila vaikuttaa seuraaviin seuraaviin käyttötapoihin, jos se on valittu:	ECO tila on aina aktivoitu seuraavilla käytettävillä ja toimintatiloilla:
<ul style="list-style-type: none"> <li>• AUTO käyttötapa</li> <li>• MANUAALINEN käyttötapa</li> <li>• POISSA käyttötapa</li> <li>• LOMA käyttötapa</li> <li>• KESKUSPÖLYNIMURI toimintatila</li> <li>• LIESIKUPU toimintatila</li> <li>• TAKKA käyttötapa</li> </ul>	<ul style="list-style-type: none"> <li>• POISSA käyttötapa</li> <li>• LOMA käyttötapa</li> </ul>
	<p><b>ECO-tila on aina poistettu käytöstä seuraavalla käyttäjän toimintolla/tilalla:</b></p> <ul style="list-style-type: none"> <li>• TEHOSTUS käyttötapa</li> <li>• TUULETUS käyttötapa</li> <li>• VAPAAJÄÄHDYTYS toimintatila</li> </ul>

## 7.5.3 Ilmavirta-asetukset

Ilmavirta-asetukset ovat käytettävissä vain **MANUAALINEN** tilassa. Napsauta puhaltimen kuvaketta pääsivulla siirtyäksesi **ASETA ILMAVIRTA** valikkoon.



Käytä ylös- ja alas-nuolia tai liukusäädintä ilmavirta-arvon muuttamiseksi.

Ilmavirta voidaan muokata seuraavasti: *Seis/Matala/NormaaLi/Korkea*. Nämä asetukset ohjaavat tulo- ja poistoilmapuhaltimien lähtösignaaleja.

### Tärkeää

**Ei ole** suositeltavaa asettaa puhallintaseis tavallisissa kotitalouksissa. Jos manuaalinen puhaltimen pysäytys on sallittu, laitteessa on oltava sulkupellit jäte- ja raitisilmakanavissa, jotta kylmä veto ja kondensaatoriski vältetään, kun laite on pysäytetty.

Puhaltimen pysäytys seis valinta sallitaan aktiivomalla manuaalinen puhaltimen pysäytys-toiminto Huolto -valikossa.

## 7.5.4 Sisäilman laatu



Laite ohjaa sisäilman kosteutta ja / tai CO<sub>2</sub> -pitoisuutta säätämällä ilmavirran asetusta. Ilmavirta nousee, jos ilmanlaatu huononee.

Tarveohjaus -toiminto vastaa sisäilman laadusta. Kosteus (RH) ja/tai CO<sub>2</sub> -anturit vastaavat laadun mittauksesta.

Sisäilman laatu (IAQ) -ilmaisimien on käytettävissä, jos AUTO käyttötapa ja Tarveohjaus -toiminto ovat käytössä.

### IAQ (Indoor Air Quality) tasot:

- **TALOUDELLINEN:** Todellinen IAQ-arvo on alhaisen IAQ-asetuspisteen alapuolella.
- **HYVÄ:** Todellinen IAQ arvo on matalan ja korkean IAQ-rajan välillä.
- **PARANEE:** Todellinen IAQ arvo on korkean IAQ-asetuspisteen yläpuolella.

Erilaisia ilmavirta-asetuksia voidaan asettaa PARANEE ja HYVÄ IAQ-tasolle PaiveLu -valikossa.

Asetusarvot suhteelliselle kosteudelle ja hiilidioksidille (CO<sub>2</sub>) voidaan asettaa Huolto -valikossa.

## 7.5.5 Tilannerivit

Aloitussivun alaosassa olevat rivit näyttävät tietoja seuraavista:



Aktiivisten hälytysten luettelo. Katso lisätietoa kohdasta luku 7.7.2.3.









Aktiivisten toimintojen luettelo. Katso lisätietoa kohdasta luku 7.6.

Näiden rivien koskettaminen siirtää sinut seuraavalle sivulle, josta löytyy tarkempi luettelo ja tiedot jokaisesta hälytyksestä tai aktiivisesta toiminnosta.

## 7.6 Toimintokuvakkeiden kuvaus

Kuvake	Teksti	Kuvaus
	Lämmitys	Jälkilämmitin tai etulämmitin on aktiivinen ja lämmitys on käynnissä.
	Lämmön talteenotto	Lämmöntalteenotto on aktiivinen.
	Jäähdytys	Jäähdytyspatteri on aktiivinen ja jäähdytys on käynnissä.
	Kylmän talteenotto	Automaattinen kylmän talteenotto on aktiivinen, kun poistoilman lämpötila on alhaisempi kuin ulkoilman lämpötila ja jäähdytystarve on havaittu (lämpötilan asetusarvo on alempi kuin ulkolämpötila). Kylmän talteenotto ei aktivoitu jos tuloilmaa pitää lämmittää. Jos ulkoilman lämpötila on korkeampi kuin sisäilman lämpötila ja lämmitystarve on havaittu, toiminto vapaaäähdytysaktivoituu.
	Vapaaäähdytys	Toiminto jäähdyttää rakennusta ulkoilmalla yöllä kun ulkoilma on viileää.

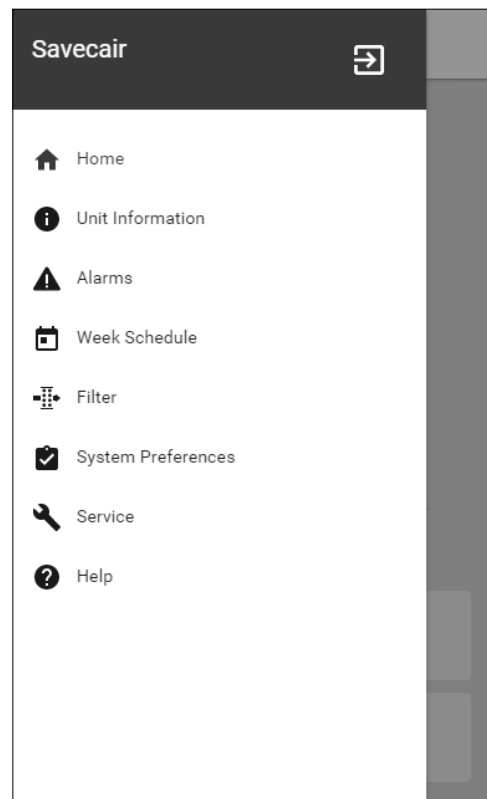


Kuvake	Teksti	Kuvaus
	Kosteuden-siirto	Toiminto säätelee lämmönvaihtimen pyörimisnopeutta rajoittaen kosteuden palautumista tuloilmaan. Toiminto on käytettävissä vain laitteissa, joissa on roottori - lämmönvaihdin.
	Sulatus	Toiminto estää jään muodostumisen lämmönvaihtimessa kylmissä ulkolämpötiloissa.
	Toisioilma	Lämmintä sisäilmaa käytetään sulattamaan lämmönvaihdin. Ulkoilmakanavassa oleva pelti sulkeutuu.. Poistoilmapuhallin pysähtyy ja laite vaihtaa ulkoilmasta toisioilmaan, mikä nostaa lämpötilaa lämmönvaihtimen sisällä.
	Pölynimuri	Toiminto asettaa tuloilmapuhaltimen nopeuden Korkea -tasolle ja poistoilmapuhaltimen Matala -tasolle ylipaineen lisäämiseksi huoneistossa, jotta pölyä voidaan kerätä keskuspölynimurilla paremmin. Toiminto voidaan aktivoida digitaalisen tulon kautta - Keskuspölynimuri. Aina aktiivinen kun digitaalisääntulo aktivoidaan.
	Liesikupu	Asettaa tuloilmapuhaltimen nopeuden Korkea -tasolle ja poistoilmapuhaltimen Matala-tasolle, jolloin liesikupu imee paremmin käryä ja höyryä. Jos käytetään säädinkupua ja erillistä puhallinta tai liesituuletinta, joissa on voimakas imu, on suositeltavaa asettaa molempien puhaltimien ilmavirtaukset tasolle Normaali ja huolehtia riittävästä korvausilmasta keittiöön muilla keinoilla. Toiminto voidaan aktivoida digitaalisen tulon kautta - Liesikupu. Aina aktiivinen kun digitaalisääntulo aktivoidaan.
	Käyttäjän lukitus	Toiminto osoittaa, että järjestelmä on lukittu salasanalla, eikä sitä voi muokata tai muuttaa asetuksia millään tavalla. Järjestelmä on avattava salasanalla ennen muutosten tekemistä.

## 7.7 Päävalikko



Käyttäjäasetukset ja lisäasetukset



### 7.7.1 Tiedot laitteesta



Perustiedot laitteen tilasta, konfiguroiduista komponenteista ja tuloista / lähdöistä.

### 7.7.1.1 Komponentit

Lämmönvaihtimen, lämmittimen, jäähdyttimen ja lisäsäätimen asetukset.

### 7.7.1.2 Anturit

Arvot antureista ja puhaltimien kuormituksesta (rpm).

### 7.7.1.3 Sisääntulojen Tila

Konfiguroitujen analogisten, digitaalisten ja universaalien tulojen tila. Kytkeyty komponenttimalli ja raaka-arvo (voltteina) tulee näkyviin.

### 7.7.1.4 Lähtöjen tila

Konfiguroitujen analogisten, digitaalisten ja universaalien lähtöjen tila. Kytkeyty komponenttimalli ja arvo (voltteina) tulee näkyviin.

### 7.7.1.5 Koneen versio

Laitemallin nimi, valmistajan tuotenumero, sarjanumero ja ohjelmistoversiot pääpiirilevyllä, ohjauspaneelilla ja internet-käyttöliittymälle.

## 7.7.2 Hälytykset



Yksityiskohtaiset tiedot aktiivisista järjestelmähälytyksistä ja hälytyslokista (20 viimeisintä tapahtumaa).

### 7.7.2.1 Aktiiviset Hälytykset

Hälytysnäyttö on tyhjä, jos aktiivisia tai kirjautuneita hälytyksiä ei ole.

Paina aktiivisen hälytyksen ОНЖЕ -painiketta, jos haluat nähdä usein kysytyjä kysymyksiä ja vianmäärittäjiä (jos saatavilla). Poista yksittäinen hälytys painamalla КУИТТАА. Riippuen hälytystyyppistä ja syystä, voi olla tarpeen määrittää hälytyksen aiheuttaja ennen hälytyksen kuittaamista

Hälytyksen tilaa ei ehkä voi poistaa, jos hälytyksen syy on edelleen läsnä.

### 7.7.2.2 Hälytysloki

Hälytyslokien avulla voit tarkastella 20 viimeisintä hälytystä.

Jokainen hälytys sisältää tietoja:

- Hälytyksen nimi
- Päivämäärä/Aikaleima
- Tieto siitä, pysäyttävä hälytys laitteen tai muu huomautus

### 7.7.2.3 Hälytysluettelo

Hälytyksen nimi	Selitys	Toimi seuraavasti
Jäätymissuoja	Paluuveden jäätymissuoja lämmityspatterissa. <ul style="list-style-type: none"> <li>• Hälytys pysäyttää koneen ja avaa vesiventtiilin kokonaan.</li> </ul>	Hälytys nollautuu kun veden lämpötila on 13°C. Tarkista veden lämpötila lämmityspatterissa. Tarkista vesilämmittimen kiertopumppu. Ota yhteyttä asentajaan tai myyjään.
Jäätymissuojan lämpötila - anturi	Ilmaisee vesipatterin lämpötila-anturin toimintahäiriön <ul style="list-style-type: none"> <li>• Hälytys pysäyttää laitteen.</li> </ul>	Tarkista, että jäätymissuojan lämpötila-anturi on kytketty kunnolla ja että kaapeli on ehjä. Ota yhteyttä asentajaan tai myyjään.

Hälytyksen nimi	Selitys	Toimi seuraavasti
Sulatusvirhe	Ilmaisee, että etulämmitin ei lämmitä ulkoilmaa tarpeeksi (edellyttäen että Lisäsäädin on konfiguroitu kuten Etulämmitin). <ul style="list-style-type: none"> <li>Hälytys pysäyttää laitteen.</li> </ul>	Tarkista etulämmittimen nollauspainike. Tarkista etulämmittimen kaapelointi. Ota yhteyttä asentajaan tai myyjään. Sulatusvirhe voi johtua erittäin alhaisesta ulkoilman lämpötilasta tai etulämmittimen toimintahäiriöistä.
Tuloilmapuhaltimen rpm	Tuloilmapuhaltimen pyörimisnopeus on pienempi kuin vaadittu vähimmäismäärä. Puhaltimen toimintahäiriö. <ul style="list-style-type: none"> <li>Hälytys pysäyttää laitteen.</li> </ul>	Tarkista puhaltimen liittimet. Ota yhteyttä asentajaan tai myyjään.
Poistoilmapuhaltimen rpm	Poistoilmapuhaltimen pyörimisnopeus on pienempi kuin vaadittu vähimmäismäärä. Puhaltimen toimintahäiriö. <ul style="list-style-type: none"> <li>Hälytys pysäyttää laitteen.</li> </ul>	Tarkista puhaltimen liittimet. Ota yhteyttä asentajaan tai myyjään.
Tuloilmapuhaltimen ohjausvirhe	Tuloilman virtaus- tai painehälytys. Paine on painerajojen alapuolella. <ul style="list-style-type: none"> <li>Hälytys pysäyttää laitteen.</li> </ul>	Tarkista, että paineanturin letku on kiinnitetty kunnolla ja että kaapeli on ehjä. Ota yhteyttä asentajaan tai myyjään.
Poistoilmapuhaltimen ohjausvirhe	Poistoilman virtaus- tai painehälytys. Paine on painerajojen alapuolella. <ul style="list-style-type: none"> <li>Hälytys pysäyttää laitteen.</li> </ul>	Tarkista, että paineanturin letku on kiinnitetty kunnolla ja että kaapeli on ehjä. Ota yhteyttä asentajaan tai myyjään.
Palohälytys	Palohälytys on aktiivinen. <ul style="list-style-type: none"> <li>Hälytys pysäyttää laitteen.</li> </ul>	Kun ulkoinen palohälytys on ohi, hälytys on kuitattava ja laite käynnistetään uudelleen.
Hätätermostaatti	Ilmaisee että ylikuumenemissuojaus on lauennut (jos koneessa on sähkölämmityspatteri).	Lauennut manuaalinen tai automaattinen ylikuumenemissuoja (EMT) antaa hälytyksen ohjauspaneelissa. Jos manuaalinen ylikuumenemissuoja on lauennut, nollaa se painamalla nollauspainiketta. Jos automaattinen ylikuumenemissuoja on lauennut, se palautuu automaattisesti, kun lämpötila on laskenut. Jos ongelma jatkuu, ota yhteyttä asentajaan tai myyjään.
Ohituspelti	Osoittaa toimintahäiriön ohituspellissä.	Irrota päävirtalähde 10 sekunnin ajan nollataksesi ohjaustoiminnon. Käynnistä laite. Ohituspellin toiminta tarkastetaan automaattisesti. Jos hälytys ilmestyy uudelleen noin 2 minuutin kuluttua, ota yhteyttä asentajaan tai myyjään.
Pyörimisvahti	Ilmaisee roottorin toimintahäiriön Pyörimisvahdin signaali on ollut näkymättömissä 180 sekuntia.	Jos roottorilämmönvaihdin on pysähtynyt, tarkista, että roottorin hinta on kireä. Jos lämmönvaihdin pyörii edelleen, tarkista, että pyörimisvahdin pikaliitin on liitetty ja että vahdin ja magneetin välissä on 5-10 mm: n aukko. Säädä tarvittaessa aukko. Jos hälytys jatkuu, roottorin pyörimisvahti saattaa olla viallinen. Ota yhteyttä asentajaan tai myyjään.

Hälytyksen nimi	Selitys	Toimi seuraavasti
Toisioilman pelti	Toisioilmalla sulatus epäonnistui. Ulkoilman lämpötila-anturi mittaa <10° C 2 sekunnin kuluttua sulatuksen jälkeen TAI Ulkoilman lämpötila-anturi mittaa < 5°C 5 minuutin kuluttua sulatuksen jälkeen	Tarkista, onko toisioilman pelti oikeassa asennossa. Tarkista, että pelti on kytketty kunnolla ja että kaapeli on ehjä. Ota yhteyttä asentajaan tai myyjään.
Ulkoilman lämpötila - anturi	Ilmaisee ulkoilman lämpötila-anturin toimintahäiriön.	Tarkista, että anturi on liitetty oikein ja kaapeli on ehjä. Ota yhteyttä asentajaan tai myyjään.
Ylikuumenemislämpötila - anturi	Ilmaisee ylikuumenemislämpötila-anturin toimintahäiriön.	Tarkista, että anturi on liitetty oikein ja kaapeli on ehjä. Ota yhteyttä asentajaan tai myyjään.
Tuloilman lämpötila - anturi	Ilmaisee tuloilman lämpötila anturin toimintahäiriön.	Tarkista, että anturi on liitetty oikein ja kaapeli on ehjä. Ota yhteyttä asentajaan tai myyjään.
Huoneilman lämpötila - anturi	Ilmaisee huoneilman lämpötila-anturin toimintahäiriön.	Tarkista, että anturi on liitetty oikein ja kaapeli on ehjä. Ota yhteyttä asentajaan tai myyjään.
Poistoilman lämpötila - anturi	Ilmaisee poistoilman lämpötila anturin toimintahäiriön.	Tarkista, että anturi on liitetty oikein ja kaapeli on ehjä. Ota yhteyttä asentajaan tai myyjään.
Lisäsäätimen lämpötila - anturi	Ilmaisee lisäsäätimen lämpötila -anturin toimintahäiriön.	Tarkista, että anturi on liitetty oikein ja kaapeli on ehjä. Ota yhteyttä asentajaan tai myyjään.
Hyötysuhteen lämpötila - anturi	Ilmaisee hyötysuhteen lämpötila-anturin toimintahäiriön.	Tarkista, että anturi on liitetty oikein ja kaapeli on ehjä. Ota yhteyttä asentajaan tai myyjään.
PDM RH	Ilmaisee sisäänrakennetun kosteusanturin toimintahäiriön. Aktiivinen: mitattu kosteus = 0% Palautettu: mitattu kosteus > 5%	Tarkista, että anturi on liitetty oikein ja kaapeli on ehjä. Ota yhteyttä asentajaan tai myyjään.
PDM RH Poistoilman lämpötila - anturi	Ilmaisee sisäisen poistoilman lämpötila-anturin toimintahäiriöstä. Aktiivinen: mitattu lämpötila = 0°C Palautettu: mitattu lämpötila > 5°C	Tarkista, että anturi on liitetty oikein ja kaapeli on ehjä. Ota yhteyttä asentajaan tai myyjään.
Suodatin	On aika vaihtaa suodatin	Vaihda suodatin. Vaihda suodatin ohjeiden mukaisesti. Lisätietoja suodatinmyyjistä löytyy Ohje-valikosta.
Lisäsäätimen hälytys	Virhe ulkoisessa laitteessa.	Tarkista, että ulkoinen laite on liitetty oikein ja kaapeli on ehjä. Nollaa ylikuumenemissuoja sähköisessä esilämmittimessä. Ota yhteyttä asentajaan tai myyjään.
Ulkoinen pysäytys	Laite on pysäytetty ulkoisella signaalilla.	Toiminta on pysäytetty digitaalisella signaalilla ulkoisesta etälaitteesta tai rakennusautomaatiosta.
Manuaalinen puhaltimen pysäytys on aktiivinen	Toiminta pysähtyy, puhaltimet ovat manuaalisessa tilassa ja SEIS tila on valittu.	Valitse toinen puhaltimen nopeus (MATALA / NORMAALI / KORKEA) tai AUTO käyttötapaa ohjauspaneelin aloitussivulla.

Hälytyksen nimi	Selitys	Toimi seuraavasti
Ylikuumenemislämpötila	Lämpötila jälkilämmittimen jälkeen on liian korkea. Aktiivinen: (Ylikuumenemislämpötila-anturi mittaa > 55°C) Palautettu: (Ylikuumenemislämpötila-anturi mittaa < 50°C)	Hälytys on mahdollinen, jos tuloilman virtaus on liian alhainen, kun jälkilämmitin on päällä. Tarkista tuloilmavirta. Tarkista, ettei ilmanotto-ritilä ole tukossa. Tarkista, että ulkoilman sulkupelti on auki. Ota yhteyttä asentajaan tai myyjään.
Tuloilman lämpötila on matala	Tuloilman lämpötila on liian matala. Aktiivinen: (Ulkoilman lämpötila-anturin mitat: < 0°C) <b>JA</b> (Tuloilman lämpötila-anturin mittaa < 5°C) Palautettu: (Tuloilman lämpötila-anturin mitat > 10°C)	Tarkista lämmönvaihdin ja jälkilämmitin tai katso kohtaa 2 "Vianmääritys"-valikossa.
CO <sub>2</sub>	Ulkoisen CO <sub>2</sub> -anturin toimintahäiriö.	Tarkista, että anturi on liitetty oikein ja kaapeli on ehjä. Jos anturi on langaton - tarkista RS485-portin tila ja anturin tila ohjauspaneelista. Ota yhteyttä asentajaan tai myyjään.
RH	Ulkoisen kosteusanturin toimintahäiriö.	Tarkista, että anturi on liitetty oikein ja kaapeli on ehjä. Jos anturi on langaton - tarkista RS485-portin tila ja anturin tila ohjauspaneelista. Ota yhteyttä asentajaan tai myyjään.
Lähtö manuaalisessa tilassa	Yksi tai useampi analogisista lähdöistä on manuaalisessa tilassa.	Etsi huoltovalikosta lähtöjen asetukset ja tarkista, että kaikki konfiguroidut lähdöt ovat Auto-tilassa. Jos jokin lähtö on manuaalisessa tilassa - vaihda takaisin Auto-tilaan.

Palohälytys voidaan aktivoida ainoastaan savuilmamaisimen, palohälytysjärjestelmän tai muun vastaavan järjestelmän digitaalista signaalia käyttäen. Tämä hälytys toimii vain, kun digitaalisen tulon tyyppi on määritetty Palohälytys.

Digitaalinen lähtö, jonka tyyppi on määritetty Summahälytys, lähettää yleisen signaalin aina, kun hälytys laukeaa. Tämä signaali on hälytyksen tyyppistä riippumaton.

### 7.7.3 Viikkoaikataulu



Laite voidaan konfiguroida toimimaan asetetuilla ilmavirtauksilla korkeintaan kahteen aikajaksoon (00:00-23:59) käyttäjän valitsemina viikonpäivinä.

Viikkoaikataulu on käytössä vain kun käyttötapa on AUTO.

#### 7.7.3.1 Valitse ilmavirta-asetukset

Kosketa asetusten kuvaketta, jos haluat siirtyä AIKATAULUTA ILMAVIRRRAN ASETUKSET valikkoon. Tässä valikossa voit asettaa ilmavirtauksen tasot aikataulun mukaan ja ilman aikataulua. Käytettävissä olevat tasot: Pois, Matala, Normaali, Korkea tai Tarveohjaus.

Aseta lämpötilan asetusarvo molemmille kausille (-10°C. - 0°C).





Tarveohjaus on käytettävissä vain, jos Tarveohjaus tai Ulkoinen puhaltimen ohjaus on aktiivinen.

#### 7.7.3.2 Muokkaa aikataulua



Voit lisätä uuden rivin koskettamalla kuvaketta oikeassa alakulmassa. Paina MUOKKAA -painiketta muokataksesi jo lisättyä aikataulua.

Aikataulun määrittäminen:

1. Aseta aika. Vaihda aikaa valitsemalla ALKAMISAIKA tai LOPPUMISAIKA. Käytä nuolipainikkeita  ja  lisätäksesi tai vähentääksesi arvoa. Vahvista painamalla OK-painiketta.



### Huom!

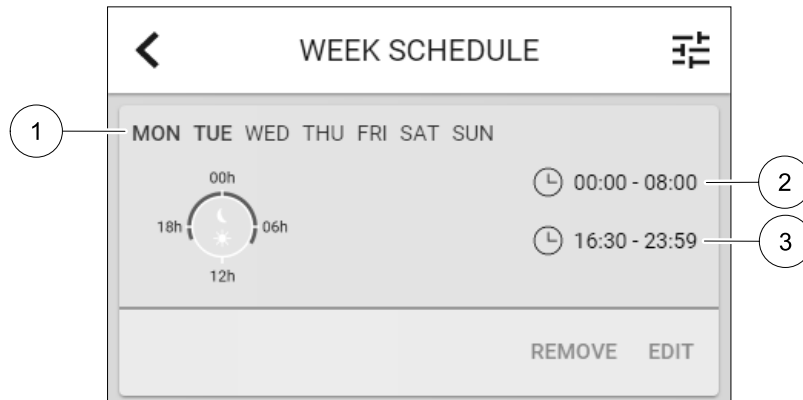
Aikataulun mukainen aika voi alkaa, mutta ei loppua keskiyöllä (00:00). Viimeisin LOPPUMISAIKA on 23:59. Aikataulutettu jakso ei voi jatkua seuraavaan päivään. 12 tai 24 tunnin kello voidaan valita Järjestelmäasetukset-valikon kautta.

Tarvittaessa lisää uusi rivi ja määritä aika.

2. Kun aika on asetettu, näpytä päivää, jolloin ohjelman on oltava voimassa. Jokaiselle päivälle voidaan asettaa erillinen aikataulu.

Jo suunniteltuja päiviä ei ole käytettävissä uusien aikataulujen valinnassa.

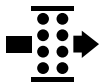
3. Vahvista aikataulu painamalla OK-painiketta.



Kuva 6 Esimerkki viikkoaikataulusta

Aikataulutetut päivät näkyvät korostettuina (1). Ensimmäisen ajanjakso (2) ja toinen ajanjakso (3) näytetään jokaisen aikataulun oikealla puolella.

## 7.7.4 Suodatin



Tässä valikossa näytetään jäljellä oleva aika ennen suodattimen vaihtoa. Muokkaus on lukittu salasanaanalla, käytä huoltosalasanaa. Katso lisätietoja Salasanan Asetukset Huolto valikosta.

Aseta suodattimen kesto ennen seuraavaan vaihtoon 3-15 kuukauden ajaksi. Oletusasetus on 12 kuukautta.

Jos uusi vaihtoväli valitaan ja vahvistetaan tai suodattimen hälytys kuitataan, ajastin nollautuu ja alkaa laskea alusta.

Tietoja vaihdettavan suodattimen tyyppistä tai mistä niitä voidaan tilata löytyy Ohje valikosta.

## 7.7.5 Järjestelmäasetukset



Laitteen sijainti, kieli ja aika.

Vaihda seuraavat tiedot:

- Kieli (oletuskieli on englanti)
- Maa (oletusmaa on Yhdistynyt Kuningaskunta)
- Yksikön osoite (osoite, postinumero)
- Yksikön päivämäärä ja kellonaika, aktivoi tai poistaa käytöstä kesä/talviaika.

Aika vaihtuu automaattisesti kesä- ja talviajan välillä laitteen sijainnin ja eurooppalaisen standardin mukaan, joka perustuu Greenwichin aikavyöhykkeeseen.

Valitse 12 tai 24 tunnin aikamuoto.

- Yhteystiedot: urakoitsija, asentaja, huolto, puhelin, verkkosivusto, sähköposti jne.
- Näyttöasetukset: näytön kirkkaus ja näytön toiminta valmiustilassa.

## 7.7.6 Huolto



Laitteen parametrit ja asetukset voidaan muuttaa **Huolto** -valikossa. **Huolto** -valikko on lukittu oletusarvoisesti ja salasana on syötettävä (oletussalasana on 1111).

### 7.7.6.1 Tulot



Sisääntulojen konfigurointi

Tässä kohdassa on kuvattu pääpiirikortin ja liitinlevyn analogisten, digitaalisten ja universaalitulojen toiminta ja asetukset.

### Taulukko 2 Valittavissa olevat digitaaliset universaalitulot

Käyttötavat	Eri käyttötapojen aktivointi.
Keskuspölynimuri	Keskuspölynimuritoiminnon aktivointi.
Liesikuputoiminto	Liesikuputoiminnon aktivointi.
Ulkoisen pysäytys	Ilmanvaihtokoneen pysäyttäminen ulkoista komentoa käyttäen.
Lisäsäätimen hälytys	Hälytysten näyttäminen ulkoisen ohjausyksikön kautta. Tarkoitettu lisälämmittimelle/jäähdyttimelle/etulämmittimelle.
Yhdistelmäpatterin feedback	Käytetään yhdistelmäpatterijärjestelmiä käytettäessä. Järjestelmän lämmitys-/jäähdytysnesteen oikean lämpötilan valvonta.
Palohälytys	Ilmanvaihtokoneen pysäyttäminen tulipalon sattuessa. Tarkoitettu esimerkiksi savuilmaisimille.

Kosteusanturin ja pyörimisvahdin signaalit on jo ennalta osoitettu tiettyihin terminaaleihin, eikä niitä voida muuttaa, kaikki muut sisääntulot ovat vapaita konfigurointiin käyttöönoton yhteydessä. Sisääntuloja voidaan käyttää mihin tahansa tarkoitukseen.

Digitaalisten tulojen signaalit ovat tyyppiä auki/kiinni NO/NC. Pääpiirilevyssä on kaksi terminaalia. Liitäntälaatikossa on 5 universaalia tuloterminaalia (UI), jotka voidaan konfiguroida digitaalituloiksi. Samalle toiminnolle voidaan osoittaa vain yksi tuloterminaali.

Jos universaali tuloterminaali on konfiguroitu analogisena tulona, samalle toiminnolle voidaan osoittaa monta tuloa, koska toimintoa voi ohjata monella anturilla. Universaalit analogiset sisääntulot (UAI) voivat olla vain Kosteusanturi (RH), CO<sub>2</sub> Anturi (CO<sub>2</sub>), Tuloilmapuhaltimen ohjaus ja Poistoilmapuhaltimen ohjaus langallisina kytkentöinä.

Liitäntäkotelossa on kaksi analogista tuloa lämpötila-antureille. Yhteen mittauskohteeseen (esim. tuloilman lämpötila) voi konfiguroida vain yhden tulon.

Jo käytössä oleva ja määritetty sisääntulosignaalin tyyppi näkyy harmaana eikä ole enää valittavissa. Joissakin digitaalisina tuloina konfiguroiduissa käyttötavoissa (POISSA, TEHOSTUS, TAKKA, LOMA tai TUULETUS) on kuitenkin useita mahdollisia aktivointipisteitä: ohjauspaneeli/sovellus/langaton/Modbus

Digitaaliset tulot voivat olla normaalisti auki (Normaalisti Auki (NO)) tai normaalisti kiinni (Normaalisti Suljettu (NC)). Oletusasetus on Normaalisti Auki (NO). Ei käytettävissä langattomille sisääntuloille.

PDM (pulsintiheysmodulaatio) tulo kosteusanturille (RH) on varattu eikä sitä voi muuttaa.

### Taulukko 3 Yleiskatsaus sisääntulon konfigurointiin

Analogiset	Digitaaliset	Universaalit analogiset	Universaalit digitaaliset
Tulon tyyppi Arvo Kompensointi	Tulon tyyppi Napaisuus Arvo	Tulon tyyppi Analogityyppi Arvo	Tulon tyyppi Digitaalityyppi Napaisuus Arvo

### 7.7.6.2 Lähdöt



Lähtöjen konfigurointi.

Analogisten, digitaalisten ja universaalien lähtöterminaalien asetukset pääpiirilevyssä, toimintojen valinnat

#### Taulukko 4 Valittavissa olevat digitaaliset lähdöt

Lämmityksen/jäähdytyksen/lisäsäätimen vaiheohjaimet	Lämmittimen/jäähdyttimen/lisäsäätimen ohjaussignaali.
Summahälytys	Vikalähtö.
Sulkupellit ulko-/jäteilma	Ulko-/jäteilman sulkupeltien ohjaussignaali.
Toisioilma	Toisioilmapellin ohjaus.
Aktivoi jäähdytys	Jäähdytystilan aktivointisignaali ulkoiseen järjestelmään.
Lukitus Ulkoinen puhallinohjaus	Automaattinen tieto ulkoisen puhallinohjauksen estosta (esim. jos sulatus on aktivoitu).
Lämmityksen/jäähdytyksen/lisäsäätimen kiertopumppu	Lämmityksen/jäähdytyksen/lisäsäätimen kiertopumpun käynnistys-/pysäytysignaali.

Puhaltimien PWM (pulssinleveysmodulaatio) lähtösignaalit ja triac-lähtö on jo ennalta osoitettu tiettyihin terminaleihin eikä niitä voida muuttaa. Kaikki muut lähdöt ovat vapaita konfigurointiin käyttöönoton yhteydessä. Lähtöjä voidaan käyttää mihin tahansa tarkoitukseen.

Digitaalisten lähtöjen signaalityypit ja fyysisten liitäntöjen määrä on rajoitettu

Lähtöä saa käyttää vain yhteen tarkoitukseen. Jo käytössä olevat ja määritetyt lähdöt näkyvät harmaana eivätkä ole valittavissa.

Analogisten ja digitaalisten lähtöjen tilaksi voidaan valita `Auto` tai `Manuaali`, ja `Manuaali`-tilan arvo on säädettävissä.

`Manuaali`-tilan valinta ohittaa kaikki järjestelmään liittyvät automaattiset toiminnot. Analogisten lähtöjen arvo on säädettävissä manuaalisessa tilassa välillä 0–10 V; digitaalisten lähtöjen mahdolliset arvot ovat `Päällä` ja `Pois`.

#### Taulukko 5 Yleiskatsaus lähdön konfigurointiin

Analogiset	Digitaaliset
Lähdön tyyppi Automaattinen/ Manuaalinen Arvo	Lähdön tyyppi Automaattinen/ Manuaalinen Arvo

### 7.7.6.3 Komponentit



Komponenttien eli laitteen osien ja lisälaitteiden määritykset

#### Lämmönvaihdin

- Valitse lämmönvaihtimen tyyppi.  
Käytössä olevat tyypit: `Roottori` / `Levy`
- Aktivoi tai poistaa käytöstä `Passiivitalo`-tila jos lämmönvaihtimen tyyppi on `Roottori`  
Vaihtoehdot: `Kyllä` / `Ei`.
- Anna ohituspellin paikka, jos lämmönvaihtimen tyyppi `Levy` on valittu. Oletusasetus perustuu laitteen malliin.  
`Tulo` / `Poisto`
- Aseta toimilaitteen tyyppi. Oletusasetus perustuu laitteen malliin.  
Alue: 0–10 V / 2–10 V / 10–0 V / 10–2 V.

#### Lämmitin

- Valitse lämmitintyyppi. Jokainen valinta avaa lisää asetuksia. Oletusasetus perustuu laitteen malliin.  
Käytössä olevat tyypit: `Ei mikään` / `Sähkö` / `Vesi` / `Yhdistelmä`.
- Aseta toimilaitteen tyyppi. Oletusarvo on 0–10 V.  
Alue: 0–10 V / 2–10 V / 10–0 V / 10–2 V.



- Aseta kiertovesipumpun lämpötila. Oletusasetus on 10°C. Tämä vaihtoehto on käytettävissä, jos Vesi / Yhdistelmä lämmitintyyppi on valittu.  
Alue: 0- 20°C.
- Aseta kiertovesipumpun pysäytysviive. Oletusasetus on 5 minuuttia. Tämä vaihtoehto on käytettävissä, jos Vesi / Yhdistelmä lämmitintyyppi on valittu.  
Alue: Pois / 1-60 min.

#### Jäähdytin

- Valitse jäähdytintyyppi. Jokainen valinta avaa lisää asetuksia. Oletusasetus on Ei mikään.  
Käytössä olevat tyypit: Ei mikään / Vesi / Yhdistelmä.
- Aseta ulkoilman lämpötila, joka lukitsee jäähdytyksen pois käytöstä Oletusasetus on 10°C.  
Alue: 0-20°C.
- Aseta toimilaitteen tyyppi. Oletusarvo on 0-10 V  
Alue: 0-10 V / 2-10 V / 10-0 V / 10-2 V.
- Aseta kiertovesipumpun pysäytysviive. Oletusasetus on 5 minuuttia. Tämä vaihtoehto on käytettävissä, jos Vesi / Yhdistelmä lämmitintyyppi on valittu.  
Alue: Pois / 1-60 min.

#### Lisäsäädin

- Valitse lisäsäätimen kohde. Jokainen valinta avaa lisää asetuksia. Oletusasetus on Ei mikään.  
Käytössä olevat tyypit: Ei mikään / Etulämmitys / Lämmitys / jäähdytys..
- Valitse lisäsäätimen lämpötilan asetusarvo. Oletusarvo on 0°C.  
Alue: - 30°C - 40°C.
- Määritä suhdeosa P Oletusasetus on 4°C.  
Alue: 1-60°C.
- Määritä integrointiaika I. Oletusasetus on Pois.  
Alue: Pois / 1-240 s.
- Aseta toimilaitteen tyyppi. Oletusarvo on 0-10 V.  
Alue: 0-10 V / 2-10 V / 10-0 V / 10-2 V.
- Aseta kiertopumpun lämpötila. Oletusasetus on 0 °C. Tämä asetus on käytettävissä, kun ohjaintyyppiksi on valittuna Etulämmitin.  
Alue: 0-20°C.
- Aseta kiertovesipumpun pysäytysviive. Oletusasetus on 5 minuuttia.  
Alue: Pois / 1-60 min.

### 7.7.6.4 Säädot ja ohjaukset



Konfiguroi laitteen ohjaus

#### Lämpötilan ohjaus

- Määritä lämpötilan säädin. Valitse säätötapa.  
Käytettävissä olevat säätötavat: Vakio tuloilmanlämpötila / vakio huonelämpötila / vakio poistoilmanlämpötila
- Valitse lämpötilan yksikkö. Oletusasetus on Celsius.  
Käytettävissä olevat yksiköt: Celsius / Fahrenheit
- Määritä suhdeosa P Oletusasetus on 20°C.. Määritä integrointiaika I. Oletusasetus on 100 sekuntia
- Määritä SATC split lämmittimen (0-20%), lämmönvaihtimen (25-60%) ja jäähdyttimen (65-100%) lähtöasetukselle. Alue: 0- 100 %.
- Määritä kaskadisäädön min/maks tuloilman lämpötila, P-osa, I-aika  
Käytettävissä vain vakio huonelämpötila / vakio poistoilmalämpötila säätötappoihin

**ECO tila**

- Määritä ECO-tilan asetukset. Aseta lämpötilan pudotuksen asetusarvo. Oletusasetus on 5 °C.  
Alue: 0- 10°C.

**Puhaltimien ohjaus**

- Määritä ilmavirta- ja puhallinasetukset. Valitse ohjaustapa Oletusasetus on Manuaalinen (%).  
Käytössä olevat tyypit: Manuaalinen ( %) / Manuaalinen (rpm) / vakiovirtaus (CAV) / vakiopaine (VAV) / Ulkoinen

Asetus	Manuaalinen	RPM	vakiovirtaus (CAV)	vakiopaine (VAV)	Ulkoinen
Ilmavirran mittayksikkö.	%	rpm	l/s, m <sup>3</sup> /h, cfm	Pa	%
P-osa	-	0-3 000 rpm	0-500 Pa Oletusasetus: 150 Pa		-
I-aika	-	Pois / 1-240 s Oletusasetus: 5 s	Pois / 1-240 s Oletusasetus: 5 s		-
Ilmavirran tasoasetukset eri tasoille: MAKSIMI TASO, KORKEA TASO, NORMAALI TASO, MATALA TASO, MINIMI TASO	16-100%	500-5000 rpm	Anturin alue (ilmavirran yksikkö)		0-100%
Manuaalinen Puhaltimen Pysäytys - kytke päälle tai pois manuaalinen puhaltimen pysäytys, tämä toiminto sallii puhaltimen pysäyttämisen käyttöliittymästä. Oletusasetus on POIS.					
Paineanturit - määritä anturin jännite suhteessa paineeseen. Aseta arvo, jossa puhaltimen hälytys tapahtuu. Oletusasetus on Ei asetettu.	-	-	Tuloilman paineanturi: Paine 0 V: 0-500 Pa, oletusasetus 0 Pa Paine 10 V: 0-2500 Pa, oletusasetus 500 Pa. Poistoilman paineanturi: Paine 0V: 0-500 Pa, oletusasetus 0 Pa. Paineen 10 V: 0-2500 Pa, oletusasetus 500 Pa		-
Aseta K-kerroin tuloilmalle ja poistoilmalle. Oletusasetukset perustuvat laitteen malliin.	-	-	Tuloilma K-kerroin alue: 0-1000 Poistoilma K-kerroin alue: 0-1000		-
Ulkolämpötilakompensointi	Tämän toiminnon tarkoituksena on alentaa ilmanvaihdon tehoa, kun ulkoilman lämpötila on alhainen. Tämä nostaa tuloilman lämpötilaa ja vähentää lämmönvaihtimen jäätyminen riskiä. Kompensointia voidaan soveltaa tuloilmapuhaltimeen (erisuuret ilmavirrat) tai sekä tuloilma-että poistopuhaltimeen (jos ilmavirtojen epätasapaino ei ole sallittu). Toiminto alentaa puhaltimen pyörimisnopeutta lineaarisesti kohdassa Maksimaalinen kompensointi määritellyn arvon mukaisesti (arvo on valittavissa välillä -50..0 %, oletusarvo on 0 °C), kun ulkoilman lämpötila on 0 °C:n ja kohdassa Lämpötila, jossa kompensointi lopetetaan määritellyn arvon välillä (arvo on valittavissa välillä -25... 0 °C, oletusarvo on 0 °C). Suosittelemme, että levylämmönvaihtimella varustettujen koneiden Maksimaalinen kompensointi -arvoksi määritetään -20 % ja Lämpötila, jossa kompensointi lopetetaan -arvoksi -5 °C. Suosittelemme, että pyörivällä lämmönvaihtimella varustettujen koneiden Maksimaalinen kompensointi -arvoksi määritetään -30 % ja Lämpötila, jossa kompensointi lopetetaan -arvoksi -25 °C.				

## Tärkeää

Ilmavirran tyypin muuttaminen ei muuta suhdessäädön P-osan arvoa automaattisesti. P-osan arvo on vaihdettava manuaalisesti ilmavirtauksen muuttamisen jälkeen.

### Tarveohjaus

Määritä sisäilman laatuanturit. Kun anturi (t) on konfiguroitu, Tarveohjaus -toiminto aktivoidaan valitsemalla AUTO käyttötapa aloitusvalikosta

- Aktivoi tai poista käytöstä CO<sub>2</sub> -anturi. Oletusasetus on POIS.  
Aseta CO<sub>2</sub> -anturin asetusarvo. Oletusasetus on 800 ppm (parts per million ilmassa). Tyypillinen ulkoilman CO<sub>2</sub> pitoisuus on 400 ppm. Alue: 100 - 2000 ppm.  
Aseta säätimen P-osa, oletusasetus on 200 ppm. Alue: 50 - 2000 ppm.  
Aseta I-aika, oletusasetus on POIS. Alue: POIS/ 1-120 s.
- Aktivoi tai poista RH-anturi. Oletusasetus on POIS.  
Aseta kosteuden asetusarvo kesällä, oletusasetus on 60 %. Alue: 1-100%.  
Aseta kosteuden asetusarvo talvella, oletusasetus on 50 %. Alue: 1-100%.  
Aseta säätimen P-osa, oletusasetus on 10%. Alue: 1-100%.  
Aseta I-aika, oletusasetus on POIS, alue: POIS/1-120 s.
- Valitse ilmavirran tasoksi Ilmanlaatu paranee. Alue: Normaali / Korkea / Maksimi.
- Valitse ilmanvirtaustaso Hyvä Ilmanlaatu. Alue: Matala / Normaali.

### Kosteuden siirron hallinta



#### Huom!

Asetus on käytettävissä, jos lämmönvaihtimeksi on valittu ROOTTORI. On erittäin suositeltavaa olla muuttamatta oletusarvoja P-osalle ja I-ajalle. Niihin saisi puuttua vain asentaja tai koulutettu henkilökunta.

- Aktivoi tai poista kosteudensiirron toiminto. Oletusasetus on PÄÄLLÄ.
- Jos Kosteudensiirron ohjaus on aktivoitu, määritä seuraavat asetukset:  
Asetuspiste, oletusasetus on 45% RH. Alue: 1-100% RH.  
Aseta säätimen P-osa, oletusasetus on 4 g / kg. Alue: 1-100 g/kg.  
Aseta I-aika, oletusasetus on POIS. Alue: POIS/1-120 s.

### Sulatuksen ohjaus



#### Huom!

Asetus on käytettävissä, jos lämmönvaihtimeksi on valittu LEVY.

Laite on varustettu automaattisella sulatustoiminnolla, joka aktivoituu kun on olemassa jäätymisvaara lämmönvaihtimen läheisyydessä.

- Valitse sulatustila. Oletusasetus on Normaali.

Pehmeä	Kuivat tilat, kuten varastorakennukset, joissa on vähän ihmisiä tai teollisuusrakennukset, joiden tuotantoprosessissa ei käytetä vettä.
Normaali	Asuintilat, joissa on normaali kosteustaso. <sup>1</sup>
Kova	Rakennukset, joissa on erittäin korkea kosteustaso.

<sup>1</sup> Uusissa taloissa saattaa olla tarpeen käyttää korkeampaa sulatustasoa ensimmäisellä talvikaudella.

- Anna ohituspellin sijainti. Oletusasetus perustuu laitteen kokoonpanoon.  
Tulo / Poisto.
- Valitse onko toisioilma sallittu. Oletusasetus on POIS.

Pois / Päällä.

### Jäähdytyksen ohjaus

- Jos ulkoilma on lämpimämpää kuin poistoilma ja tuloilma on asetusrvoa lämpimämpää, kylmäntalteenotto käynnistyy. Tämä tila estää lämmön säätöprosessin. Aktivoi tai poista käytöstä kylmäntalteenotto. Oletusasetus on Päällä. Aseta jäähdytysraja. Kylmäntalteenotto sallitaan, jos poistoilman lämpötila on alhaisempi kuin ulkolämpötilan lämpötila (eroa on 2 K) ja jäähdytystarve on todettu.
- Määritä vapaajäähdytyksen tila, lämpötila ja kesto. Aktivoi tai poista käytöstä vapaajäähdytys. Oletusasetus on Pois. Aseta tuloilmapuhaltimen ja poistoilmapuhaltimen tasot vapaajäähdytyksen aikana. Oletusasetus on Normaali. Alue: Normaali / Korkea / Maksimi. Aseta edellytykset Ulkoilman päiväkohtainen lämpötila aktivointia varten, oletusasetus on 22 °C. Alue: 12-30°C. Aloitus- ja lopetusolosuhteet. Poisto- /huonelämpötila, oletusasetus on 18°C. Ulkolämpötilan yläraja, oletusasetus on 23 °C. Ulkolämpötilan matala raja on 12°C. Aloitus- ja lopetus aika.

#### 7.7.6.4.1 Miten löydän ilmavirtaa vastaavan puhaltimen kierrosluvun

Jokaiselle ilmavirran tasolle on annettava puhaltimen kierrosluku (rpm), jotta ilmavirtaa voisi säätää puhaltimen nopeutta muuttamalla Ilmavirran riippuvuus puhaltimen nopeudesta vaihtelee laitteen koon ja kanaviston painehäviön mukaan Löytääksesi oikean puhallinnopeuden sinun on käytettävä Systemairin verkkosivuilla olevaa työkalua.

1. Siirry Systemairin verkkosivulle ja hae laitteesi (laitteen nimi tai tuotenumero).
2. Siirry Kaaviot -välilehdelle ja kirjoita haluamasi ilmavirran arvot l / s, m<sup>3</sup>/h, m<sup>3</sup>/s tai cfm tulo- ja poistoilmalle. Syötä kanaviston painehäviö (jos tätä arvoa ei tiedetä esim. IV-suunnitelmista, kirjoita 100 Pa sekä tulo- että poistoilmalle)

Air flow	Air flow (Supply)	60	m <sup>3</sup> /h ▼
	Air flow (Extract)	60	
Pressure drop duct system	External pressure (Supply)	100	Pa ▼
	External pressure (Extract)	100	

Kuva 7 Esimerkki ilmavirran ja painehäviön valinnasta

3. Katso lasketut nopeusarvot kierroksina minuutissa (rpm) tulo- ja poistoilmalle kaavion alla olevasta taulukosta.

POWER	14,0	13,5 W
Speed	1751	1640 r.p.m.
SEP (clean filters)	1,67	1,67 W/(m <sup>3</sup> /s)

Kuva 8 Esimerkki tulo- ja poistopuhaltimen kierrosluvusta

4. Hae tällä menetelmällä puhaltimen nopeus kaikille ilmavirran tasoille: MINIMI TASO, MATALA TASO, NORMAALI TASO, KORKEA TASO, MAKSIMI TASO.
5. Lopulta mene ohjauspaneelissa Huolto valikkoon, syötä salasana ja siirry Säädot ja ohjaukset → Puhaltimen ohjaus. Valitse RPM ilmavirtaustyyppiä ja alavalikossa Ilmavirtauksen Tasoasetukset syötä lasketut puhaltimen nopeusarvot jokaiselle tasolle.

#### 7.7.6.5 Käyttötavat



Asetetun ilmavirran taso, kesto ja asetuspiste jokaisessa käyttötavassa.

Aseta tulo- ja poistoilmapuhaltimien tasot, kesto ja jos mahdollista lämpötilapoikkeama:

- Poissaolo
- Keskuspölynimuri
- Liesikupu
- Tehostus
- Takka
- Loma
- Tuuletus

### 7.7.6.6 Kommunikaatio



Määritä Modbus- ja langattomat asetukset

#### Modbus-

- Aseta Modbus-osoite. Oletusasetus on 1
- Aseta baudinopeus. Oletusasetus on 115200.
- Aseta pariteetti. Oletusasetus on Ei mikään. Alue: Ei yhtään / Parillinen / Pariton.
- Aseta lopetusbitit. Oletusasetus on 1.
- Näyttää Smartly-Gateway tilan.

#### HMI-osoite

- Jos koneeseen on liitetty useampia ohjauspaneeleja, on ehdottoman tärkeää, että jokaisella ohjauspaneelilla on yksilöllinen osoitenumero. Tämä valikko näyttää nykyisen HMI-osoitteen.

Katso lisätiedot kohdasta 11.5.2 *Useiden ohjauspaneelien käyttö*, sivu 218.

#### WLAN-asetukset

WLAN-asetuksia käytetään valinnaisena lisävarusteena saatavan Internet-moduulin (IAM) liittämiseen.

Internet-moduuli (IAM) on laite, joka mahdollistaa koneen ohjaamisen mobiilisovelluksen kautta tai tietokoneella.

- Näyttää verkkoyhteyden nykyisen tilan.
- Näyttää Internet-moduulin käyttämän verkon nimen.
- Hae verkkoa - käytä tätä hakutoimintoa paikallisen suojatun verkon etsimiseen. Verkon hakeminen on kuvattu tarkemmin alla.

#### Internet-moduulin liittäminen langattomaan verkkoon

1. Wi-Fi-yhteyden asetukset on määritettävä manuaalisesti, jos langaton reititin ei tue WPS-toimintoa. Sinun on etsittävä Wi-Fi-verkko ja lisättävä salasana ohjauspaneelia käyttäen.
  2. Valitse ohjauspaneelistä Huolto -> Kommunikaatio -> WLAN-asetukset.
  3. Paina Hae verkkoja -painiketta. Internet-moduuli hakee saatavilla olevia Wi-Fi-verkkoja (tämä kestää yleensä enintään minuutin).
  4. Kun haku on suoritettu, etsi ja valitse verkko, johon haluat muodostaa yhteyden. Internet-moduuli voi muodostaa yhteyden ainoastaan salanasuojattuihin Wi-Fi-verkkoihin.
  5. Kun olet valinnut haluamasi Wi-Fi-verkon nimen, ohjauspaneelin näyttöön ilmestyy salasanaponnahdusikkuna. Syötä Wi-Fi-verkon salasana.
  6. Jos salasana on oikea ja yhteyden muodostaminen Wi-Fi-verkkoon onnistuu, Internet-moduuli muodostaa automaattisesti yhteyden palvelimeen. Internet-moduulin LED-merkkivalo alkaa vilkkua hitaasti vihreänä.
- Palauta WLAN-asetukset tarvittaessa.

### 7.7.6.7 Lokit



Tiedot hälytyksistä, puhaltimista ja parametreista tallennetaan Lokit -valikkoon.

#### Puhaltimet

- Näytössä näkyy puhaltimen käyntiaika eri ilmavirroilla. Laskettu aika ja kokonaisaika näytetään erikseen. Laskettu aika on nollattavissa.

Taso 1: 0%



Taso 2: 1–29%

Taso 3: 30–44%

Taso 4: 45–59%

Taso 5: 60–100%

**Parametrit**

- Valitse parametrin tyyppi ja sijainti Y-akselilla, valitse aikaväliksi 60 minuutin ja 2 viikon välillä oleva aika ja luo tallennettuihin tietoihin perustuva käyrä painamalla oikeassa yläkulmassa olevaa kuvaketta . Vie parametritiedot painamalla nuolipainiketta . (käytettävissä vain mobiilisovelluksessa)

**7.7.6.8 Laitteen varmuuskopiot**

Tätä valikkoa voidaan käyttää tehdasasetusten palauttamiseen ja asetustiedoston tuomiseen/viemiseen Internet-moduulista/Internet-moduuliin (IAM).

- Palauta tehdasasetukset ja -parametrit painamalla Tehdasasetukset-painiketta. Asetusten palautus korvaa myös vaihdetun salasanan. Sinua pyydetään vahvistamaan palautus.
- Tallenna järjestelmän nykyinen asetustiedosto liitettyyn Internet-moduuliin valitsemalla Tallenna nykyiset asetukset IAM-moduuliin.
- Lataa asetustiedosto liitetystä Internet-moduulista valitsemalla Lataa nykyinen asetustiedosto IAM-moduulista.

**7.7.6.9 Salasanan asetus**

Huolto on aina lukittu salasanalla. Muilla valikkotasoilla on erillinen lukitusmahdollisuus. Jos salasana-vaatimus on aktivoitu eri valikkotasoille, ne avautuvat järjestelmänvalvojan salasanalla.

Valitse, mitkä valikot on lukittava tai ei

**7.7.7 Ohje**

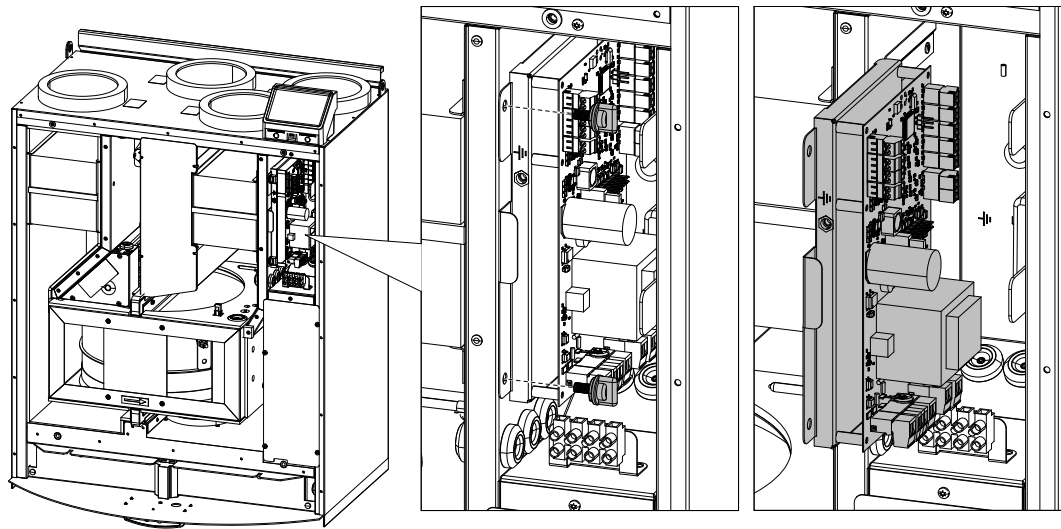
Usein kysytyt kysymykset, hälytysten vianmääritys, yhteystiedot tekniseen tukeen ovat tässä valikossa.

- Huolto – tietoja valtuutetuista huoltoliikkeistä.
  - Yritys
  - Puhelin
  - Kotisivu
  - Sähköposti
- Käyttötavat - yksityiskohtainen kuvaus kaikista käyttötavoista
- Toiminnot - yksityiskohtainen kuvaus eri käyttäjätoiminnoista.
- Hälytykset - kaikkien hälytysten yksityiskohtainen kuvaus.
- Vianmääritys - tietoja mahdollisista toimintahäiriöistä.

**8 Sähköliitännät**

SAVE VTR 150/K on sisäisesti valmiiksi kytketty.

Sähkökytkentärasia on yksikön poistoilmaliitännän puolella. Piirikortti on helppo ottaa ulos yksiköstä ilman työkaluja.

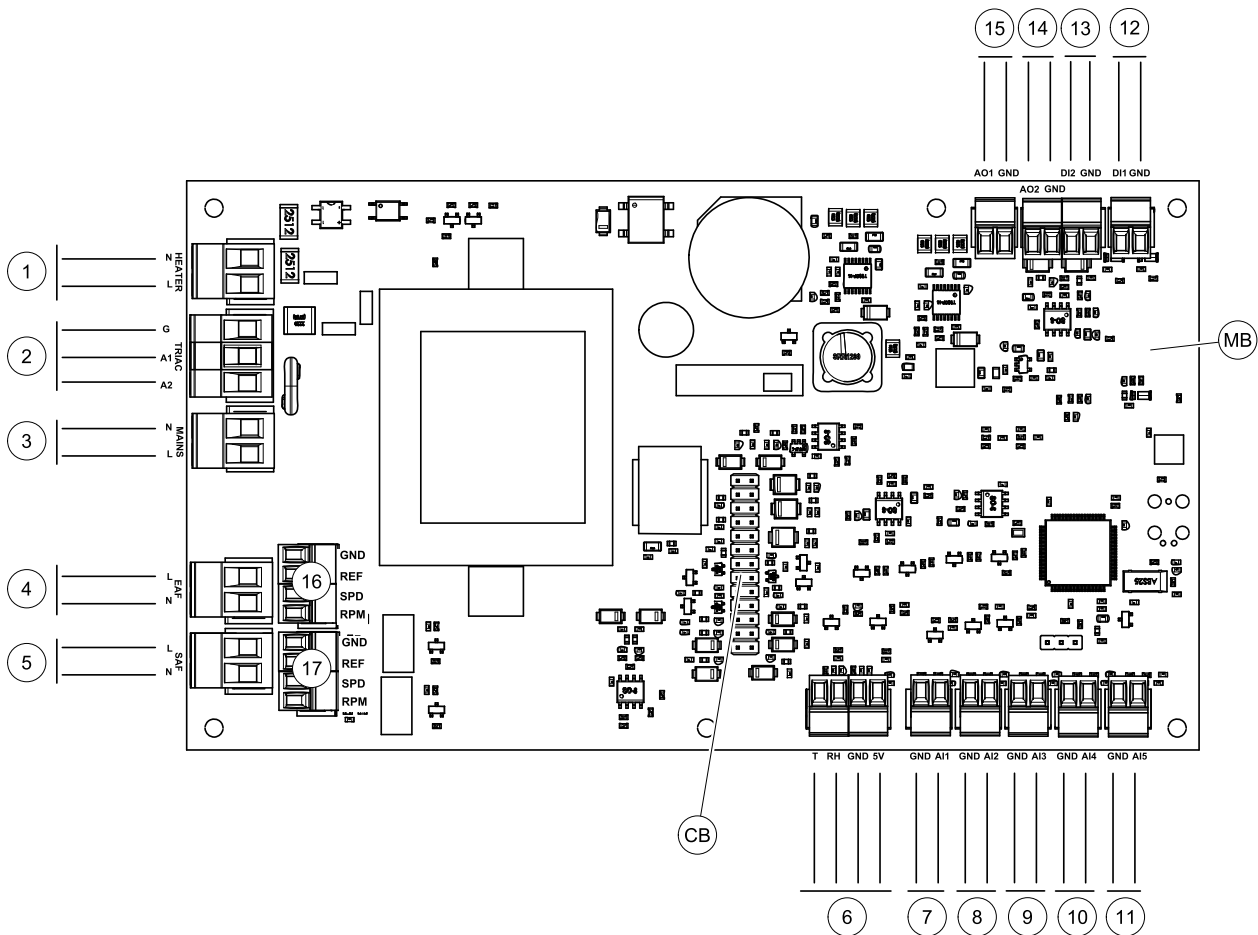


Kuva 9 Pääpiirilevyn sijainti

### 8.1 Pääpiirilevy

SAVE VTR 150/K on varustettu integroidulla säätimellä ja valmiilla johdotuksilla.

Kuvassa näkyy pääpiirilevy. Katso lisätietoja kytkentäkaaviosta.



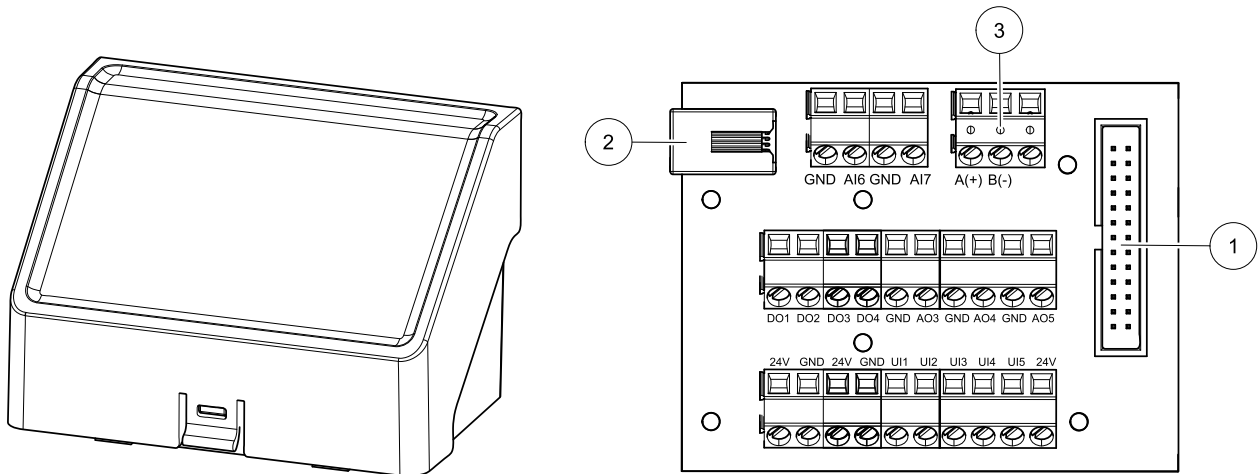
Kuva 10 Pääpiirilevyn liitännät

Merkintä	Kuvaus
MB	Pääpiirilevy
CB	Yhteys ulkoiseen liitännäkoteloon
1	Lämmittimen terminaalit

Merkintä	Kuvaus
2	TRIAC säätimen terminaalit
3	Päävirtalähteen terminaalit
4	Poistoilmapuhaltimen virransyöttöterminaalit
5	Tuloilmapuhaltimen virransyöttöterminaalit
6	Sisäisen suhteellisen kosteus-anturin liittimet
7	Analoginen sisääntulo 1 - Ulkoilma-anturi
8	Analoginen sisääntulo 2 - Tuloilma-anturi
9	Analogiasisääntulo 3 – Vapaasti konfiguroitava
10	Analoginen sisääntulo 4 - Vapaasti konfiguroitava / Ylikuumenemislämpötila-anturi (koneet joissa on sähkölämmitysvastus)
11	Analoginen sisääntulo 5 - vapaasti konfiguroitava
12	Digitaalinen sisääntulo 1 - Pyörimisvahti (VSR, VTR koneet) / Ohituspellin signaali (VTC koneet)
13	Digitaalinen sisääntulo 2 - Vapaasti konfiguroitava / Liesikupu (VTR 150/K)
14	Analoginen ulostulo 2 - Vapaasti konfiguroitava / Sähkölämmittimen ohjain (VTC 700 kone)
15	Analoginen ulostulo 1 - Lämmönsiirtimen roottori (VSR, VTR koneet) / Ohituspellin ohjaus (VTC koneet)
16	Terminaalit poistoilmapuhaltimen nopeuden ohjaukselle
17	Terminaalit tuloilmapuhaltimen nopeuden ohjaukselle

## 8.2 Ulkoiset liitännät (Liitântäkotelo)

Ulkoiset liitännät pääpiirilevyyn tehdään laitteen ulkopuolella sijaitsevan liitântäkotelon kautta.



Kuva 11 Ulkoinen liitântäkotelo ja levy

Merkintä	Kuvaus
1	Liitântä pääpiirilevyyn
2	Yhteys ulkoiseen ohjauspaneeliin (HMI) tai internet-yhteysmoduuliin (IAM)
3	Modbus RS485-liitântä
AI6-7	Vapaasti konfiguroitava analoginen sisääntulo Ei mitään/Sisääntulon tyyppin valinta ohjauspaneelissa
DO1-4	Vapaasti konfiguroitava digitaalinen ulostulo Ei mitään/Ulostulon tyyppin valinta ohjauspaneelissa
AO3-5	Vapaasti konfiguroitava analoginen ulostulo Ei mitään/Ulostulon tyyppin valinta ohjauspaneelissa Toimilaitteen tyyppi 0- 10V, 10- 0V, 2-10 V, 10 - 2V.



Merkintä	Kuvaus
UI1-5	Vapaasti konfiguroitava universaali sisääntulo. Voidaan määrittää toimimaan analogisena sisääntulona (0- 10V) tai digitaalisena sisääntulona (24 V). Ei mitään/Sisääntulon tyyppin valinta ohjauspaneelissa (NC – normaalisti suljettu tai NO – normaalisti auki).
24V	Maksimivirta 200 mA 24 VDC +-10 %.

## 9 Ennen järjestelmän käynnistämistä

Kun asennus on valmis, tarkasta, että:

- Yksikkö on asennettu näiden ohjeiden mukaisesti.
- Kone on kytketty oikein.
- Ulkoilma- ja poistoilmapiellit ja äänenvaimentimet on asennettu ja kanavajärjestelmä on liitetty oikein koneeseen.
- Kaikki kanavat on eristetty ja asennettu paikallisten määräysten mukaisesti
- Ulkoilmanotto on sijoitettu riittävän kauas saastelähteistä (keittiötuulettimen, keskuspolynimurin tai vastaavien poistoaukoista).
- Kaikki ulkoiset varusteet on kytketty
- Yksikkö on määritelty ja otettu käyttöön oikein.
- Viikko-ohjelma ja puhallinnopeus on ohjelmoitu oikein.

## 10 Huolto

### 10.1 Varoitukset



#### Vaara

- Varmista, että kone on kytketty irti sähköverkosta ennen huolto- ja sähkötyitä!
- Kaikki sähköliitännät ja huoltotyöt on teetettävä valtuutetulla asentajalla paikallisten määräysten mukaisesti.



#### Varoitus

- Tätä konetta saa käyttää ja huoltaa vain sellainen henkilö / sellaisen henkilön valvonnassa, jolla on riittävät tiedot tai koulutus laitteesta ja ilmanvaihdosta.
- Varo teräviä reunoja asennuksen ja huollon yhteydessä. Käytä suojakäsineitä.



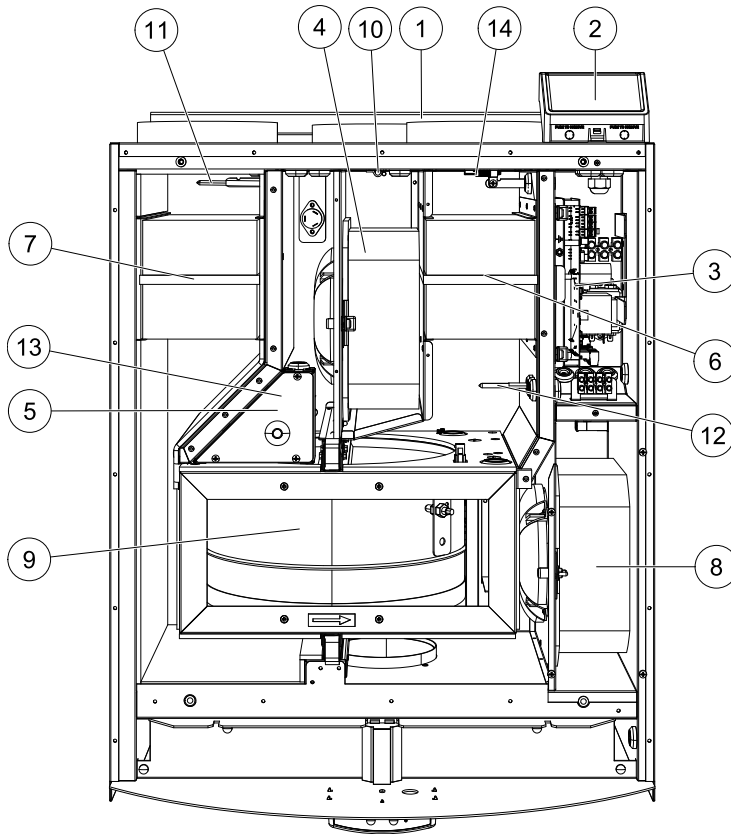
#### Varoitus

- Vaikka verkkovirta on irrotettu, on olemassa vaara, että pyörivät osat eivät ole täysin pysähtyneet.

#### Tärkeää

- Yksikön ja ilmanvaihtojärjestelmän asennustyöt on teetettävä valtuutetulla asentajalla paikallisten määräysten mukaisesti.
- Järjestelmän tulee olla päällä jatkuvasti ja se pitää pysäyttää vain kunnossapitoa/huoltoa varten.
- Älä kytke kuivausrumpuja ilmanvaihtojärjestelmään.
- Kanavaliitännät/kanavien päät tulee suojata varastoinnin ja asennuksen ajaksi.
- Varmista ennen yksikön käynnistämistä, että suodattimet on asennettu.

## 10.2 Sisäiset komponentit



Kuva 12 Sisäiset komponentit

Sijainti	Kuvaus
1	Asennuskannatin
2	Ulkoiset liitännät
3	Pääpiirikortti
4	Tuloilmapuhallin
5	Sisäinen sähkölämmityspatteri (500/1000 W)
6	Poistoilmasuodatin
7	Tuloilmansuodatin
8	Poistoilmapuhallin
9	Pyörivä lämmönvaihdin
10	Tuloilma-anturi
11	Ulkoilma-anturi
12	Poistoilma-anturi
13	Ylikuumenemisanturi
14	Suhteellisen kosteuden / poistoilman lämpötilan mittaamiseen käytettävä anturi

## 10.3 Komponenttien kuvaus

### 10.3.1 Puhaltimet

Puhaltimissa on EC-moottorit, joiden tehoa voidaan ohjata portaattomasti ja toisistaan riippumattomasti välillä 16–100 %. Moottoreissa on kestovoidellut, huoltovapaat laakerit. Puhaltimet voidaan irrottaa puhdistusta varten; katso lisätiedot "Käyttöoppaasta".

### 10.3.2 Suodattimet

Tehdasasennetut tuloilmasuodattimet ovat tyyppiä M5/ePM10 60 % ja poistoilmasuodattimet ovat tyyppiä M5/ePM10 60 %. Suodattimet on vaihdettava, kun ne ovat likaantuneet. Uusia suodatinsarjoja saa asentajalta tai tukkuliikkeestä.

Suodatinlaatu F7/ePM1 55 % voidaan asentaa tuloilmasuodatukseen. Suodatintyyppi on merkitty suodattimen päälle.

### 10.3.3 Lämmönvaihdin

SAVE VTR 150/K on varustettu erittäin tehokkaalla, pyörivällä lämmönvaihtimella. Tarvittava tuloilman lämpötila pidetään sen vuoksi normaalisti yllä ilman lisälämmitystä.

Lämmönvaihdin voidaan irrottaa puhdistusta ja huoltoa varten, katso lisätietoa käyttöohjeesta.

### 10.3.4 Pääpiirilevy

Pääpiirilevy ohjaa kaikkia laitteen toimintoja.

Pääpiirilevyn vapaisiin terminaaleihin voidaan liittää ulkoisia lisälaitteita.

### 10.3.5 KytKentärasia

Liitäntäkotelo sijaitsee laitteen ulkopuolella. Se sisältää liitäntälevyn. Kaikki ulkoiset lisävarusteet voidaan kytkeä liitäntälevyn vapaasti konfiguroitaviin terminaaleihin.

### 10.3.6 Lämpötila-anturit

Yksikössä on valmiina neljä lämpötila-anturia (NTC, 10 kΩ/25 °C) ja ne on asennettu vastaaviin ilmakanaaviin.

Anturit on kytketty pääpiirikorttiin. Katso tarkemmat tiedot mukana toimitetusta kytkentäkaaviosta.

### 10.3.7 Kosteusanturi

Koneen sisällä poistoilmakammiossa on ilman suhteellista kosteutta (RH) mittaava anturi.

Anturi mittaa myös poistoilman lämpötilaa.

Anturi on kytketty pääpiirilevyyn. Katso lisätietoja kytkentäkaaviosta.

### 10.3.8 Sähkölämmityspatteri

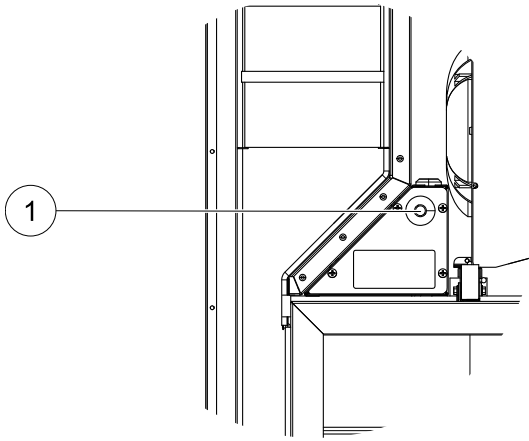
Lämmityspatteri on tuloilmakanavassa.

Jälkilämmitin aktivoidaan releellä ja se kytketään päälle, kun tuloilman lämpötila alittaa asetusarvon ja kytketään pois, kun yksi tai useampi seuraavista ehdoista täyttyy:

1. Tuloilman lämpötila ylittää asetusarvon.
2. Jos ylikuumenemissuoja aktivoituu tai anturiin tulee vika.
3. Jos termostaatti laukeaa tai menee rikki
4. Jos tuloilma-anturi on vikatilassa.
5. Jos tuloilmapuhallin ei toimi.
6. Jos lämmittimen aktivointi on estetty valikossa.

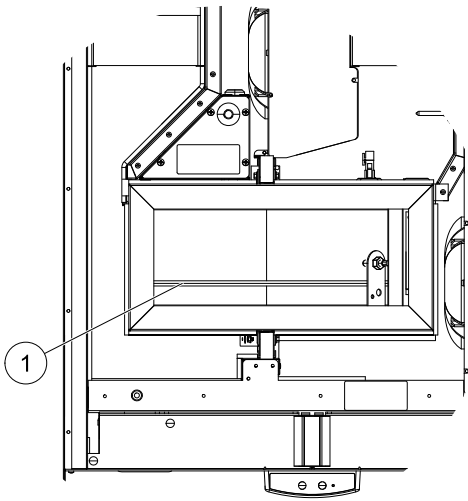
### 10.3.9 Ylikuumenemisanturin palautuspainike

Jos tuloilman lämpötila on alhainen, ylikuumenemissuoja on ehkä lauennut. Ylikuumenemissuoja voidaan palauttaa palautuspainikkeella.



## 10.4 Roottorin käyttöhihnan vaihtaminen

Jos Roottori-hälytys annetaan, katsoluku 7.7.2.3, roottorin käyttöhihna saattaa olla vaurioitunut tai poikki.



Kuva 13 Roottorin käyttöhihna

Vaihtohihna (1) on säädettävä ja sen toisessa päässä on nippa.

1. Pysäytä yksikkö irtikytkemällä verkkojännite.
2. Avaa ja irrota sivupelti.
3. Poista rikkiäinen roottorin hihna.
4. Kiinnitä käyttöhihna lämmönsiirtimeen teipillä ja pyöritä lämmönsiirintä käsin, kunnes saat kiinni käyttöhihnasta.
5. Poista teippi ja aseta tyhjä puoli nipan päälle. Paina päitä vastakkain ja kiristä nippa.
6. Vedä käyttöhihna hihnapyörälle ja pyöritä lämmönsiirintä käsin. Tarkasta, että hihnapyörä pyörii.



### Huom!

Jos käyttöhihna luistaa, hihna saattaa olla liian pitkä ja sitä pitää lyhentää. Lyhennä hihnaa 5 mm ja jatka kohdasta 5.

7. Asenna ja lukitse sivupelti ja kytke jännitteensyöttö.
8. Tarkasta, että hälytys on hävinnyt näytöstä.



### Huom!

Jos hälytys näkyy edelleen, tarkasta roottorin anturi.

## 10.5 Vianetsintä

Jos ilmenee ongelmia, tarkista seuraavat kohdat, ennen kuin otat yhteyttä valtuutettuun huoltoon.

Häiriö	Toimenpide
Puhaltimet eivät käynnisty	<ol style="list-style-type: none"> <li>1. Tarkista hälytykset ohjauspaneelista.</li> <li>2. Tarkista, että kaikki sulakkeet ja pikaliittimet on kytketty (päävirta ja tulo- ja poistoilmapuhaltimien pikaliittimet).</li> <li>3. Tarkista, että viikkoaikataulu on PÄÄLLÄ ja käynnissä AUTO tilassa. Viikon aikataulu voi olla POIS tilassa, kun ilmavirta on asetettu arvoon POIS (luku 7.7.3).</li> </ol>
Vähentynyt ilmavirta	<ol style="list-style-type: none"> <li>1. Tarkista hälytykset ohjauspaneelista. Jotkut aktiivisena olevat hälytykset voivat vähentää ilmavirtaa MATALA -tasolle.</li> <li>2. Laitte voi olla sulatustilassa. Tämä pienentää puhaltimen nopeutta ja joissakin tapauksissa pysäyttää tuloilmapuhaltimen kokonaan sulatusjakson aikana. Puhaltimet palaavat normaaliksi sulatuksen jälkeen. Jos sulatus on aktiivinen, sovelluksen tai ohjauspaneelin aloitussivulla on sulatustoiminnon kuvake.</li> <li>3. Jos ulkolämpötilan lämpötila on alle 0 °C (Ulkoilman lämpötila-anturi (OAT) mittaa &lt;0 °C), ulkoilman kompensointitoiminto voi olla aktiivinen (jos se on käytössä). Puhaltimen nopeutta (tulo- tai tulo- /poistoilmapuhaltimet) vähennetään lineaarisesti ulkolämpötilan alentamiseksi.</li> <li>4. Tarkista, että tilapäinen käyttötapa, joka vähentää ilmavirtaa, ei ole aktivoitu, esimerkiksi POISSA, LOMA jne. Lisäksi tarkista digitaalitulot KESKUSPÖLYNIMURI ja LIESIKUPU.</li> <li>5. Tarkista ilmavirran asetus käyttöpaneelissa.</li> <li>6. Tarkista viikkoaikataulu (luku 7.7.3).</li> <li>7. Tarkista suodattimet. Onko suodattimien vaihtoa vaadittu?</li> <li>8. Tarkista säleiköt ja huoneventtiilit. Onko tarpeen puhdistaa säleiköt ja/tai venttiilit?</li> <li>9. Tarkista puhaltimet ja lämmönvaihdin. Onko puhdistus tarpeen?</li> <li>10. Tarkista, ovatko rakennusten ilmanotto- ja kattoyksiköt tukkeutuneet.</li> <li>11. Tarkista näkyvät kanavat ja varmista, että ne eivät ole pölyisiä.</li> <li>12. Tarkista venttiilien aukot välykset.</li> </ol>
Laitetta ei voi ohjata (ohjaustoiminnot eivät toimi)	<ol style="list-style-type: none"> <li>1. Nollaa ohjaustoiminnot irrottamalla pistoke pois 10 sekunniksi.</li> <li>2. Tarkista moduuliyhteysliitäntä ohjauspaneelin ja pääpiirilevyn välillä.</li> </ol>
Matala tuloilman lämpötila	<ol style="list-style-type: none"> <li>1. Tarkista hälytykset ohjauspaneelista.</li> <li>2. Tarkista ohjauspaneelin etusivulta, onko sulatus toiminto käynnissä.</li> <li>3. Tarkista asetettu tuloilman lämpötila käyttöliittymästä.</li> <li>4. Tarkista käyttöliittymästä, onko ECO tila aktivoitu (se on virransäästötoiminto ja estää lämmittimen aktivoinnin).</li> <li>5. Tarkista, onko käyttötapa LOMA, POISSA tai TEHOSTUS aktivoitu käyttöliittymässä tai kiintokytkimen kautta.</li> <li>6. Tarkista analogiset tulot huolto-valikossa ja varmista, että lämpötila-anturit toimivat oikein.</li> <li>7. Jos koneessa on lämmityspatteri: Tarkista, onko sähköpatterin ylikuumenemissuojan termostaatti edelleen aktiivinen. Tarvittaessa nollaa painamalla punaista nappia sähkölämmityspatterin etulevyssä.</li> <li>8. Tarkista, onko poistoilmasuodatin vaihdettava.</li> <li>9. Tarkista onko jälkilämmityspatteri kytketty. Suomen oloissa on tarpeen käyttää sähkö- tai vesikiertoista jälkilämmityspatteria (ellei käytetä etulämmitystä.) Lämmityspatteri voidaan hankkia lisävarusteena.</li> </ol>
Melu/tärinä	<ol style="list-style-type: none"> <li>1. Puhdista puhaltimen siipipyörät.</li> <li>2. Varmista, että puhaltimien kiinnitysruuvit on kiristetty kunnolla.</li> <li>3. Tarkista, että tärinänestolistat on asennettu kiinnitystelineeseen ja laitteen takaosaan.</li> <li>4. Tarkista, ettei roottorin hihna ole löysällä, jos laitteessa on roottorilämmönvaihdin.</li> </ol>

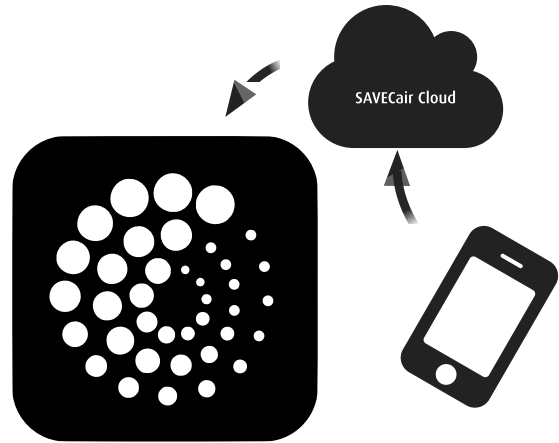
## 11 Lisävarusteet

SAVE VTR 150/K - laitteelle on monia lisävarusteita, joita voidaan käyttää laitteen toimintojen laajentamiseen ja mukavuustason lisäämiseen.

Suosittelavat lisävarusteet löytyvät aina Systemairin verkkosivuilta [www.systemair.com](http://www.systemair.com) laitteen tai lisälaitteen nimen tai tuotenumeron avulla

### 11.1 Internet-moduuli (IAM)

Internet-moduuli on laite, jonka avulla voidaan muodostaa yhteys laitteeseen ja ohjata sitä mobiilisovelluksen tai tietokoneen kautta ja tehdä automaattisia päivityksiä. Pilvi on välittäjä käyttäjän ja laitteen välillä. Jos haluat käyttää laitetta pilvipalvelun kautta, sinun on yhdistettävä se internetiin Internet-moduulin kautta.



#### Komponentti/Tuote – Tuotenumero:

- Internet- moduuli (IAM) – 211243

### 11.1.1 Koneen kauko-ohjauksen asetusten määrittäminen

**A**

**B**

**C1**

**C2**

**C3**

**D1**

**D2**

**E**

Kuva 14



### Huom!

Internet-moduuli käyttää TCP-porttia 8989. Varmista, että tämä portti on käytettävissä.

### Kuvaus

A. Liitä Internet-moduuli (IAM) kytkentärasian liitinlevyyn (CB) sen mukana toimitetulla RJ10-kaapelilla.

B. Kytke Internet-moduuliin virta käyttämällä mukana toimitettua virtajohtoa ja sovitinta (230 V~).

C. Liitä Internet-moduuli verkkoon. Yhteys voidaan muodostaa kolmella eri tavalla:

- C1 – aktivoi reitittimen WPS-toiminto (jos käytettävissä) ja paina Internet-moduulin painiketta 5 sekunnin ajan.
- C2 – liitä Ethernet-kaapelin toinen pää Internet-moduulin RJ45-liitäntään ja toinen pää reitittimen Ethernet-liitäntään. Yhteys muodostetaan automaattisesti.
- C3 – muodosta Wi-Fi-yhteys ohjauspaneelin *Kommunikaatio*-valikon kautta.

D. Käytä Systemair-mobiilisovellusta. Sovellusta voidaan käyttää kahdella eri tavalla:

- D1 – lataa ja asenna Systemair-mobiilisovellus laitteeseesi. Systemair-mobiilisovellus on saatavilla Android- ja iOS-mobiilikäyttöjärjestelmille.
- D2 – käytä Systemair-verkkosovellusta. Tätä sovellusta ei tarvitse asentaa erikseen, vaan se on käytettävissä suoraan verkkosivuston ([homesolutions.systemair.com](http://homesolutions.systemair.com)) kautta millä tahansa selaimella.

E. Käynnistä sovellus. Syötä sisäänkirjautumisnäytössä Internet-moduulin takapuolella olevasta tyyppimerkinnästä tai lisämerkinnästä löytyvä yksilöllinen UNIT ID -tunnus.

Paina **KIRJAUDU**-painiketta.

Sinun on luotava yksilöllinen salasana, kun kirjaudut sisään ensimmäisen kerran. Paina **Vaihda salasana** -painiketta. Syötä ja vahvista uusi salasana seuraavassa valikkonäytössä ja paina sitten **ASETA SALASANA** -painiketta. Suorita salasanan luominen loppuun painamalla Internet-moduulin painiketta. Odota, kunnes sovellukseen avautuu salasanan vaihdosta ilmoittava ponnahdusikkuna.

Palaa takaisin edelliseen sisäänkirjautumisnäyttöön painamalla **TAKAISIN**-painiketta. Syötä luomasi uusi salasana ja paina **KIRJAUDU**-painiketta.

Lisätietoja löytyy moduulin mukana toimitetusta ohjekirjasta.

### Taulukko 6 LED-merkkivalot

WLAN	Ethernet	Pilvi	PUNAINEN LED	VIHREÄ LED
Yhdistetty	–	Ei yhdistetty	Nopeasti vilkkuva	–
Yhteys katkaistu	–	Yhteys katkaistu	Hitaasti vilkkuva	–
Yhdistetty	–	Yhdistetty	–	Hitaasti vilkkuva
–	Yhdistetty	Ei yhdistetty	–	Nopeasti vilkkuva
–	Yhteys katkaistu	Yhteys katkaistu	–	Nopeasti vilkkuva
–	Yhdistetty	Yhdistetty	–	Hitaasti vilkkuva

Nopeasti vilkkuva – 500 millisekunnin välein. Hitaasti vilkkuva – 2 sekunnin välein.

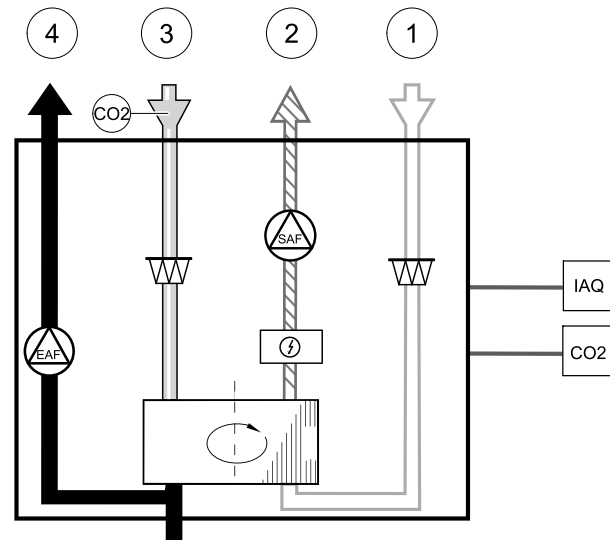
## 11.2 Sisäilman laatuanturit



Sisäilman laatuanturit (IAQ) ovat CO<sub>2</sub>, kosteus- ja lämpötila-anturit, jotka on asennettava joko poistoilmakanavaan tai huoneeseen lähettimen tyyppistä riippuen.



- IAQ - Sisäilman laatuanturi (CO<sub>2</sub>, RH ja lämpötila)
- CO<sub>2</sub> - CO<sub>2</sub> kanava-anturi
- 1 - Ulkoilma
- 2 - Tuloilma
- 3 - Poistoilma
- 4 - Jäteilma

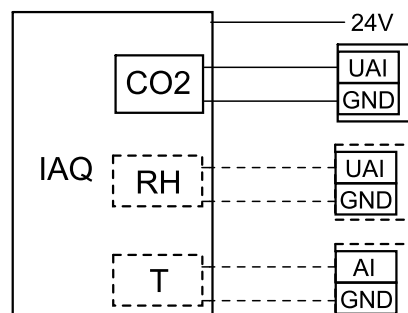


#### Komponentti/Tuote – Tuotenumero:

- Systemair-1 CO<sub>2</sub> kanava-anturi - 14906
- Systemair-E CO<sub>2</sub> anturi – 14904
- Huoneanturi 0-50 C (lämpötila) - 211525
- Systemair-E CO<sub>2</sub>, suhteellinen kosteus, lämpötila - 211522

#### Asennus ja liittäminen

1. Asenna IAQ-anturi kanavaan tai huoneeseen riippuen lähettimen tyypistä.
2. Kytke CO<sub>2</sub> anturi mihin tahansa vapaaseen analogiseen universaalituloon (UI) liitäntäkotelossa.
3. Jos IAQ anturi on kosteulähetin:  
kytke mihin tahansa vapaaseen analogiseen universaalituloon (UI) liitäntäkotelossa.
4. Jos IAQ-anturi on huonelämpötila-anturi:  
liitä se mihin tahansa liitäntäkotelossa olevaan analogiseen tuloon (AI) (vain AI6 ja AI7 ovat käytettävissä liitäntäkotelossa).



Kuva 15 IAQ liitännät

#### Määrittely

1. Siirry Huolto valikkoon.
2. Syötä salasana (oletussalasana 1111).
3. Määritä CO<sub>2</sub> ja/tai kosteusanturi: Siirry Tulot -valikkoon. Valitse Universaali -välilehti. Valitse universaali tulo, johon anturi on kytketty. Esimerkki jos liitäntälevyllä se on kytketty UI4:een, valitse UNIVERSAALITULO 4. Valitse signaalityypiksi Analoginen tulo ja valitse anturin tyyppi luettelosta Kosteusanturi (RH) ja/tai CO<sub>2</sub> Anturi (CO<sub>2</sub> - ).
4. Määritä huonelämpötilan anturi: Siirry Tulot -valikkoon. Valitse ANALOGINEN välilehti. Valitse analoginen sisääntulo, johon anturi on kytketty. Esimerkiksi, jos liitäntälevyllä se on kytketty AI6:een, valitse ANALOGINEN TULO 6. Valitse tulon tyyppi Huoneilman lämpötila - anturi.

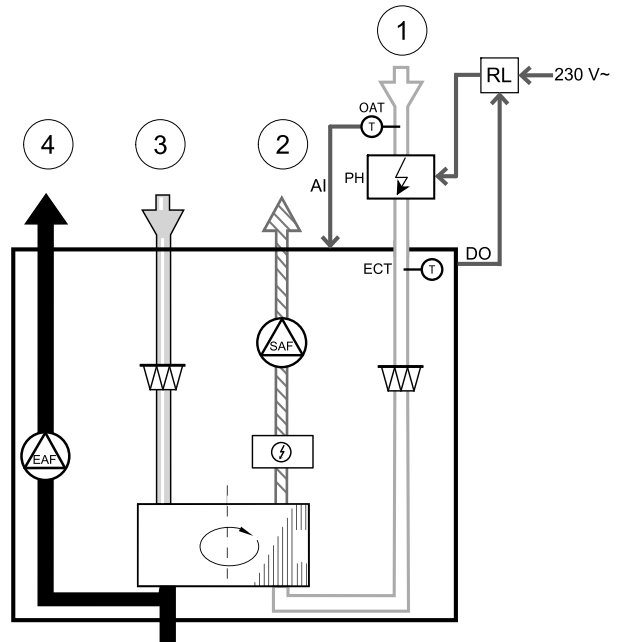
## 11.3 Lämpötilan säätö

### 11.3.1 Sähköinen kanavaetulämmitin



Ulkoilmakanavaan voidaan asentaa sähköinen etulämmitin ulkoilman esilämmitystä varten. Etulämmitin estää poistoilman jäähtymisen lämmönvaihtimessa kovalla pakkasella.

- PH – sähköinen etulämmitin
- ECT – lisäsäätimen lämpötila-anturi
- OAT – ulkoilmakanavan lämpötila-anturi
- RL – rele
- 1 – ulkoilma
- 2 – tuloilma
- 3 – poistoilma
- 4 – jäteilma

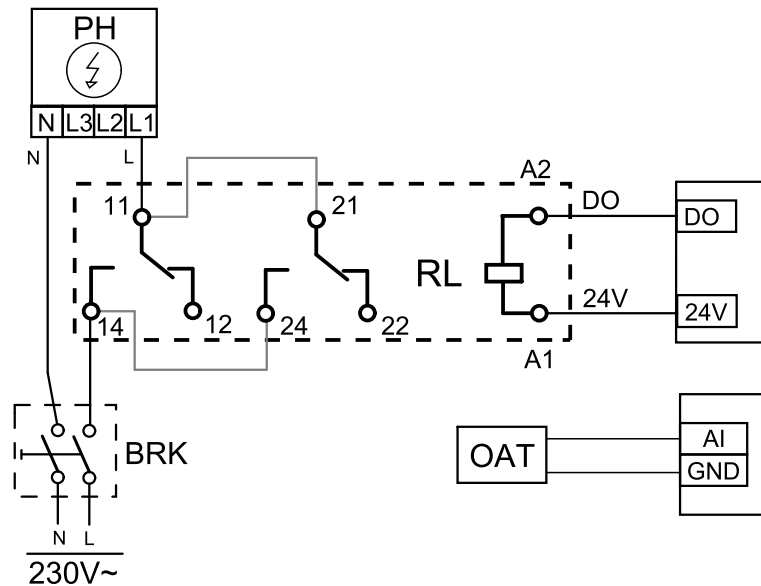


#### Komponentti/Tuote – Tuotenumero:

- Kanavalämmitin CB 125-0,6 230V/1 – 5289
- CB-esilämmittimen liitäntäsarja – 142852

#### Asennus ja kytkennät

1. Asenna sähköinen etulämmitin (ELH) ulkoilmakanavaan vähintään 100 mm:n etäisyydelle koneesta. Relettä (RL) käytetään etulämmittimen ohjaukseen. Liitä rele mihin tahansa liitinlevyn (CB) vapaana olevaan digitaaliseen lähtöön.
2. Liitä etulämmitin (ELH) ja virransyöttö releeseen (RL). Pääkytkin (BRK) ei sisälly toimitukseen, ja se on tilattava erikseen. Piiriin tulee asentaa pääkytkin.
3. Asenna kanavan lämpötila-anturi (OAT) sähköisen etulämmittimen eteen yksikön ulkoilmapuolelle ja liitä se mihin tahansa liitäntälevyn (CB) vapaana olevaan analogiseen tuloon.



Kuva 16 Etulämmittimen konfigurointi

### Määrittely

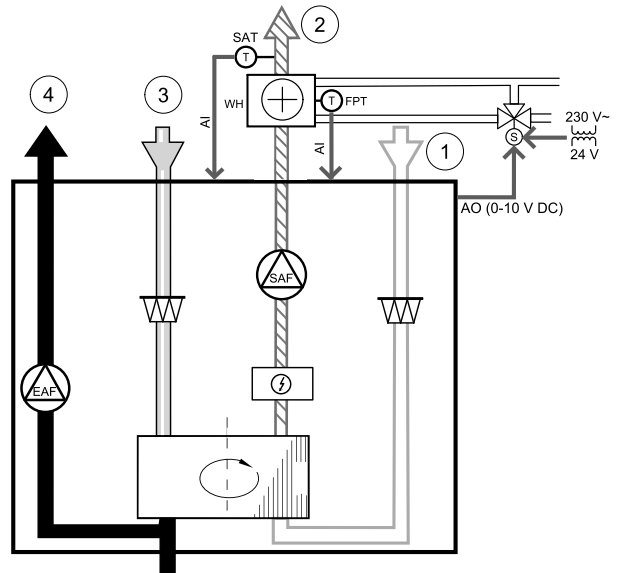
1. Siirry **Huolto** valikkoon
2. Syötä salasana (oletussalasana 1111)
3. Siirry **Komponentit**-valikkoon, valitse **Lisäsäädin**-valikko ja määritä **Lisäsäätimen tila** -asetukseksi **Etulämmittin**. Etulämmittimen asetusarvo voidaan määrittää saman valikon kautta. Määritä tarvittaessa myös muut lisäasetukset. Katso lisätiedot asennus- ja huolto-oppaasta.
4. Etulämmittimen liitännöiden asetusten määrittäminen **Siirry Huolto**-valikkoon. Valitse **Lähdöt**-valikko. Valitse näkyviin tulevan valikon **DIGITAALINEN**-välilehti. Valitse digitaalinen lähtö, johon etulämmittin on liitetty. Esimerkki: jos lämmitin on liitetty liitännälevyn DO3-liittimeen, valitse **DIGITAALINEN LÄHTÖ 3** ja valitse sitten lähtötyypivalikosta **Vaiheohjain Y4 lisäsäädin**.
5. Määritä sisäinen ulkolämpötila-anturi lisäsäätimen lämpötila-anturiksi. Siirry **Huolto**-valikkoon. Valitse **Tulot**-valikko. Valitse **ANALOGINEN**-välilehti. Valitse **ANALOGINEN TULO 1** ja muuta **Ulkolämpötila-anturi (OAT)** -asetus **Lisäsäätimen lämpötila-anturi (ECT)** -asetukseksi.
6. Kun olet määrittänyt anturin asetukset, valitse analoginen tulo, johon uusi kanavan lämpötila-anturi (OAT) on liitetty, ja valitse **Ulkolämpötila-anturi (OAT)** -asetus.

### 11.3.2 Kanavalämmittin (lämminvesipatteri)



Lämminvesipatteri asennetaan tuloilmakanavaan.

- WH - kanavalämmitin, vesi
- FPT - jäätyssuoja-anturi
- SAT - tuloilman lämpötila-anturi
- S - toimilaitte venttiilille
- 1 - Ulkoilma
- 2 - Tuloilma
- 3 - Poistoilma
- 4 - Jäteilma



#### Komponentti/Tuote – Tuotenumero:

- VBC 125-2 Vesilämmityspatteri (2 rows) – 5457
- VBC 125-3 Vesilämmityspatteri (3 rows) – 9839
- RVAZ4 24A Toimilaitte 0-10V (S) – 9862
- 2-tieventtiili ZTV 15-0,4 – 9829
- 2-tieventtiili ZTV 15-0,6 – 6571
- 3-tieventtiili ZTR 15-0,4 – 9670
- 3-tieventtiili ZTR 15-0,6 – 6573
- Kanava-anturi -30-70C (SAT) – 211524
- Pinta-anturi -30-150C (FPT) – 211523

#### Asennus ja kytkennät

1. Asenna yhdistelmäpatteri kanavaan Liitä putket, 2/3 -tieventtiili ja toimilaitte.

#### Tärkeää

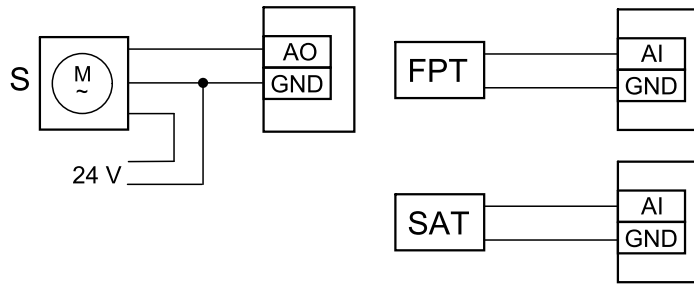
Älä käytä 24V DC lähtöä liitäntäkotelosta venttiilin toimilaitteelle

2. Kytke toimilaitte (S) mihin tahansa analogiseen lähtöön.
3. Jäätyssuoja-anturi (FPT) on kiinnitettävä paluuveden putken pinnalle. Kytke jäätyssuoja-anturi mihin tahansa vapaaseen analogiseen tuloon.
4. Sisäinen tuloilman lämpötila-anturi (SAT, liitetty oletuksena pääpiirilevyn AI2-liitimeen) on korvattava kanavan lämpötila-anturilla, joka on saatavilla lisävarusteena. Kanavan lämpötila-anturi on asennettava kanavaan lämmityspatterin jälkeen. Liitä kanavan lämpötila-anturi sisäisen tuloilman lämpötila-anturin tilalle analogiseen tuloon 2 (AI2).



#### Huom!

Kanavan lämpötila-anturi voidaan haluttaessa liittää myös liitinlevyn analogisiin tuloihin 6-7 ja määrittää tuloilman lämpötila-anturiksi. Sisäinen tuloilman lämpötila-anturi on kuitenkin poistettava silloin ensin käytöstä ohjauspaneelin kautta.



Kuva 17 Lämminvesipatterin kytkennät

## Määrittely

1. Siirry **Huolto** valikkoon
2. Syötä salasana (oletussalasana 1111)
3. Aktivoi toimilaitte. Siirry **Komponentit** valikkoon, valitse **Lämmitin** valikko ja valitse tyyppi **Vesi**. Valitse toimilaitteen jännitetyyppi. Tee lisäasetukset tarvittaessa.
4. Määritä toimilaitteen ohjaussignaalin asetukset. Siirry **Huolto**-valikkoon. Valitse **Lähdöt**-valikko. Valitse seuraavasta valikosta **ANALOGINEN**-välilehti. Valitse analoginen lähtö, johon toimilaitteen ohjausjohdin on liitetty. Esimerkki: jos toimilaitte on liitetty liitinlevyn A03-liittimeen, valitse **ANALOGINEN LÄHTÖ 3** ja valitse sitten lähtötyyppivalikosta **Y1 Lämmitys**.
5. Määritä jäätyssuoja-anturi. Siirry takaisin **Tulot** valikkoon. Valitse **ANALOGINEN** välilehti. Valitse analoginen tulo, johon jäätyssuoja-anturi on kytketty. Esimerkiksi, jos liitintälevyllä se on kytketty AI6:een, valitse **ANALOGINEN TULO 6** ja valitse tyyppiä **Jäätyssuojan lämpötila-anturi**.
6. Koska kanavan lämpötila-anturi korvaa sisäisen tuloilman lämpötila-anturin, sitä ei tarvitse konfiguroida uudelleen.



### Huom!

Kanavan lämpötila-anturi voidaan haluttaessa liittää myös liitinlevyn analogisiin tuloihin 6–7 ja määrittää tuloilman lämpötila-anturiksi. Sisäinen tuloilman lämpötila-anturi on kuitenkin poistettava silloin ensin käytöstä ohjauspaneelin kautta.

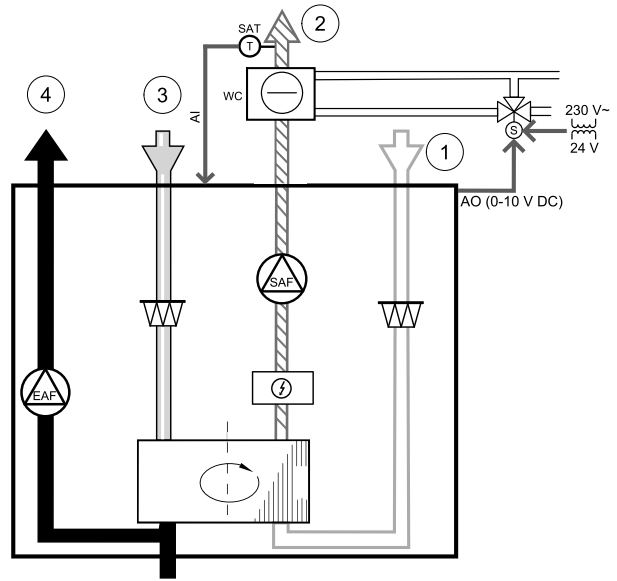
7. Kanavalämmitin (lämminvesi) ja sen komponentit on nyt konfiguroitu.

### 11.3.3 Kanavajäähdytin (vesi)



Vesikiertoinen jäähdytyspatteri on tarkoitettu asennettavaksi tuloilmakanavaan ja sen tehtävä on viilentää tuloilmaa.

- WC – vesikiertoinen kanavajäähdytyspatteri
- SAT - tuloilman lämpötila-anturi
- S - venttiili toimilaite
- 1 - Ulkoilma
- 2 - Tuloilma
- 3 - Poistoilma
- 4 - Jäteilma



#### Komponentti/Tuote – Tuotenumero:

- Kanavajäähdytin CWK 125-3-2,5 – 30021
- RVAZ4 24A Toimilaite 0-10V (S) – 9862
- 2-tieventtiili ZTV 15-0,4 – 9829
- 2-tieventtiili ZTV 15-0,6 – 6571
- 3-tieventtiili ZTR 15-0,4 – 9670
- 3-tieventtiili ZTR 15-0,6 – 6573
- Kanava-anturi -30-70C (SAT) – 211524

#### Asennus ja kytkennät

1. Asenna jäähdytyspatteri kanavaan. Liitä putket, 2/3 -tieventtiili ja toimilaite.

#### Tärkeää

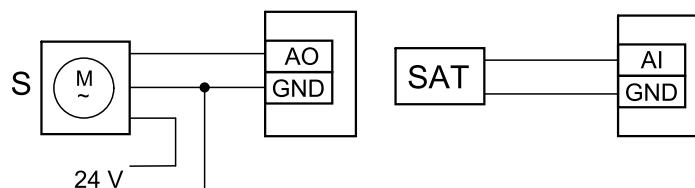
Älä käytä 24V DC lähtöä liitäntäkotelosta venttiilin toimilaitteelle

2. Kytke toimilaite (S) mihin tahansa analogiseen lähtöön.
3. Sisäinen tuloilman lämpötila-anturi (SAT, liitetty oletuksena pääpiirilevyn AI2-liittimeen) on korvattava kanavan lämpötila-anturilla, joka on saatavilla lisävarusteena. Kanavan lämpötila-anturi on asennettava kanavaan jäähdytyspatterin jälkeen. Liitä kanavan lämpötila-anturi sisäisen tuloilman lämpötila-anturin tilalle analogiseen tuloon 2 (AI2).



#### Huom!

Kanavan lämpötila-anturi voidaan haluttaessa liittää myös liitinlevyn analogisiin tuloihin 6-7 ja määrittää tuloilman lämpötila-anturiksi. Sisäinen tuloilman lämpötila-anturi on kuitenkin poistettava silloin ensin käytöstä ohjauspaneelin kautta.



Kuva 18 Kanavajäähdyttimen liitännät

#### Määrittely

1. Siirry Huolto valikkoon
2. Syötä salasana (oletussalasana 1111)

3. Aktivoi toimilaitte. Siirry Komponentit valikkoon, valitse Jäähdytys valikko ja valitse tyyppi vesi. Valitse toimilaitteen jännitetyyppi. Tee lisäasetukset tarvittaessa.
4. Määritä toimilaitteen ohjaussignaalin asetukset. Siirry Huolto-valikkoon. Valitse Lähdet-valikko. Valitse seuraavasta valikosta ANALOGINEN-välilehti. Valitse analoginen lähtö, johon toimilaitteen ohjausjohdin on liitetty. Esimerkki: jos toimilaitte on liitetty liitinlevyn AO3-liittimeen, valitse ANALOGINEN LÄHTÖ 3 ja valitse sitten lähtötyyppiavaliikosta Y3 Jäähdytys.
5. Koska kanavan lämpötila-anturi korvaa sisäisen tuloilman lämpötila-anturin, sitä ei tarvitse konfiguroida uudelleen.



### Huom!

Kanavan lämpötila-anturi voidaan haluttaessa liittää myös liitinlevyn analogisiin tuloihin 6-7 ja määrittää tuloilman lämpötila-anturiksi. Sisäinen tuloilman lämpötila-anturi on kuitenkin poistettava silloin ensin käytöstä ohjauspaneelin kautta.

6. Kanavajäähdytyn ja sen komponentit on nyt konfiguroitu.

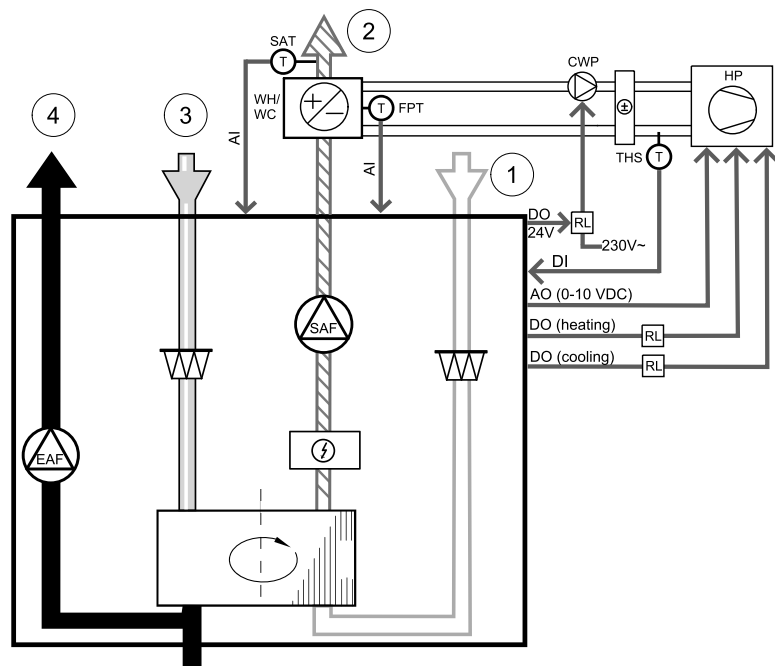
## 11.3.4 Lämmityksen/jäähdytyksen yhdistelmäpatteri

Yhdistelmäpatteria voidaan käyttää tarpeen mukaan sekä lämmitykseen että jäähdytykseen.

### Tärkeää

Yhdistelmäpatterijärjestelmä (lämmitys/jäähdytys) voidaan toteuttaa eri tavoilla, ja sen toteutustapa saattaa vaihdella kiinteistökohtaisesti. Tässä kohdassa on kuvattu yleisin vesipatteriin ja lämpöpumppuun perustuva lämmityksen ja jäähdytyksen toteutustapa. Jos käytössä on jollakin muulla tavalla toteutettu yhdistelmäpatterijärjestelmä, tarkista sen yhteensopivuus SAVE-koneiden kanssa ottamalla yhteyttä Systemairiin.

- WH/WC – yhdistelmäpatteri
- FPT – jäätymissuoja-anturi (lisävaruste)
- SAT – tuloilman lämpötila-anturi
- THT – järjestelmän lämmitys-/jäähdytysnesteen lämpötilan valvontaan käytettävä termostaatti (lisävaruste)
- HP – lämpöpumppu (tai muu lämmitykseen ja jäähdytykseen käytettävä laite)
- CWP – vesipumppu
- RL – rele
- 1 – ulkoilma
- 2 – tuloilma
- 3 – poistoilma
- 4 – jäteilma



### Komponentti/Tuote – Tuotenumero:

- Kanava-anturi -30-70C (SAT) – 211524
- Pinta-anturi -30-150C (FPT) – 211523
- Kannallinen rele 24V – 211248

### Asennus ja kytkennät

1. Asenna yhdistelmäpatteri kanavaan. Asenna tarvittaessa myös vesipumppu. Vesipumpun kytkemistä päälle ja pois päältä tulisi ohjata releen (RL) avulla. Liitä rele mihin tahansa liitinlevyn vapaana olevaan digitaaliseen lähtöön ja 24 V:n liittimeen. Liitä sitten virransyöttö ja vesipumppu (CWP) releeseen.

- Liitä lämpöpumpun (HP) ohjaussignaalin johdin (jos käytössä) mihin tahansa liitinlevyn vapaana olevaan digitaaliseen lähtöön ja 24 V:n liittimeen.
- Liitä jäähdytyksen ja lämmityksen käynnistyssignaalien johtimet mihin tahansa liitäntäkotelon vapaana oleviin digitaalisiin lähtöihin. Ohjaukseen on käytettävä releitä (RL).
- Jäätymissuoja-anturi (FPT) tulisi kiinnittää paluuveden putken pinnalle. Liitä jäätymissuoja-anturi (FPT) mihin tahansa vapaana olevaan analogiseen tuloon.
- Sisäinen tuloilman lämpötila-anturi (SAT, liitetty oletuksena pääpiirilevyn AI2-liittimeen) on korvattava kanavan lämpötila-anturilla, joka on saatavilla lisävarusteena. Kanavan lämpötila-anturi on asennettava kanavaan lämmittimen/jäähdyttimen jälkeen. Liitä kanavan lämpötila-anturi sisäisen tuloilman lämpötila-anturin tilalle analogiseen tuloon 2 (AI2).

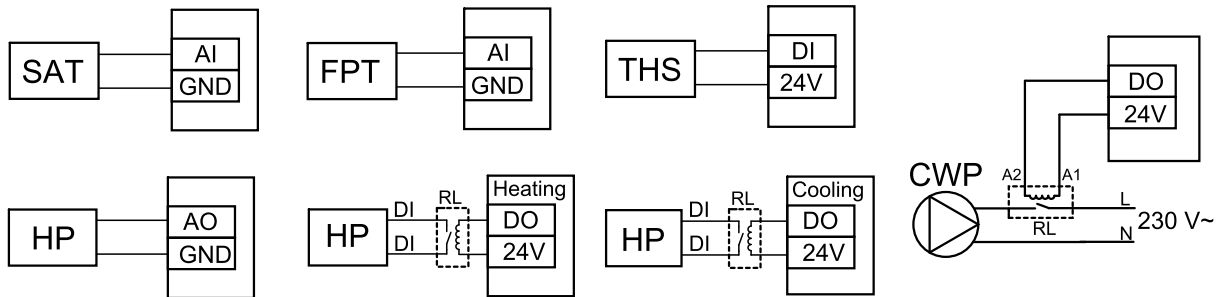


### Huom!

Kanavan lämpötila-anturi voidaan haluttaessa liittää myös liitinlevyn analogisiin tuloihin 6-7 ja määrittää tuloilman lämpötila-anturiksi. Sisäinen tuloilman lämpötila-anturi on kuitenkin poistettava silloin ensin käytöstä ohjauspaneelin kautta.

- Järjestelmässä voidaan käyttää termostaattia, joka lähettää putkessa olevan nesteen lämpötilaa/tyyppiä (kuuma tai kylmä) koskevia signaaleja (yhdistelmäpatterin takaisinkytkentä). Tämä signaali voidaan lähettää myös suoraan lämpöpumpusta, jos tällainen toiminto on käytettävissä. Lämmitys poistetaan käytöstä, jos järjestelmä pyytää lämmitystä, mutta käytettävissä on vain kylmää vettä / kylmäainetta.

Liitä yhdistelmäpatterin takaisinkytkennän johdin (THS) mihin tahansa liitinlevyn vapaana olevaan digitaaliseen tuloon ja 24 V:n liittimeen.



Kuva 19 Yhdistelmäpatterin liitännät

### Määrittely

Yhdistelmäpatterin lämmitystä/jäähdytystä voidaan käyttää vasta, kun sen kaikkien komponenttien asetukset on määritetty ohjauspaneelin kautta.

- Siirry Huolto- valikkoon
- Syötä salasana (oletussalasana 1111)
- Siirry Komponentit- valikkoon, valitse Lämmitin- valikko ja valitse sitten tyyppi Yhdistelmäpatteri. Määritä tarvittaessa myös lisäasetukset.  
Siirry Komponentit- valikkoon, valitse Jäähdytin- valikko ja valitse sitten tyyppi Yhdistelmäpatteri. Määritä tarvittaessa myös lisäasetukset.
- Määritä lämpöpumpun tai muun vastaavan laitteen ohjaussignaalin asetukset. Siirry Huolto- valikkoon. Valitse Lähdet- valikko. Valitse seuraavasta valikosta ANALOGINEN- välilehti. Valitse analoginen lähtö, johon ohjaussignaalin johdin on liitetty. Esimerkki: jos ohjausjohdin on liitetty liitinlevyn AO3-liittimeen, valitse ANALOGINEN LÄHTÖ 3 ja valitse sitten lähtötyyppivalikosta Y1 / Y3 - Yhdistelmäpatteri.
- Määritä lämmityksen käynnistyssignaali. Siirry Lähdet- valikkoon. Valitse DIGITAALINEN- välilehti. Valitse digitaalinen lähtö, johon lämpöpumpun lämmityksen käynnistyssignaalin johdin on liitetty. Esimerkki: jos johdin on liitetty liitinlevyn DO1-liittimeen, valitse DIGITAALINEN LÄHTÖ 1 ja valitse sitten lähtötyyppivalikosta Vaiheohjain Y1 Lämmitys.
- Määritä jäähdytyksen käynnistyssignaali. Siirry Lähdet- valikkoon. Valitse DIGITAALINEN- välilehti. Valitse digitaalinen lähtö, johon lämpöpumpun jäähdytyksen käynnistyssignaalin johdin on liitetty. Esimerkki: jos johdin on liitetty liitinlevyn DO2-liittimeen, valitse DIGITAALINEN LÄHTÖ 2 ja valitse sitten lähtötyyppivalikosta Vaiheohjain Y3 Jäähdytys.
- Määritä jäätymissuoja-anturi. Siirry takaisin Tulo- valikkoon. Valitse ANALOGINEN välilehti. Valitse analoginen tulo, johon jäätymissuoja-anturi on kytketty. Esimerkiksi, jos liitäntälevyllä se on kytketty AI6:een, valitse ANALOGINEN TULO 6 ja valitse tyyppi Jäätymissuojan lämpötila-anturi.



8. Määritä putken tai lämpöpumpun lämpötilan takaisinkytkentäsignaali. Siirry **TULO**-valikkoon. Valitse **UNIVERSAALI**-välilehti. Valitse universaalitulo, johon takaisinkytkennän johdin on liitetty. Esimerkki: jos liesikupu on liitetty liitinlevyn U1-liittimeen, valitse **UNIVERSAALITULO 1**. Aseta signaalityyppiä **Digitaalinen tulo** ja valitse sitten tulotyyppivalikosta **Yhdistelmäpatterin feedback**.

9. Koska kanavan lämpötila-anturi korvaa sisäisen tuloilman lämpötila-anturin, sitä ei tarvitse konfiguroida uudelleen.



### Huom!

Kanavan lämpötila-anturi voidaan haluttaessa liittää myös liitinlevyn analogisiin tuloihin 6–7 ja määrittää tuloilman lämpötila-anturiksi. Sisäinen tuloilman lämpötila-anturi on kuitenkin poistettava silloin ensin käytöstä ohjauspaneelin kautta.

10. Määritä vesipumpun ohjaukseen käytettävän releen asetukset. Siirry **LÄHDÖT**-valikkoon. Valitse **DIGITAALINEN**-välilehti. Valitse digitaalinen lähtö, johon rele on liitetty. Esimerkki: jos rele on liitetty liitinlevyn DO3-liittimeen, valitse **DIGITAALINEN LÄHTÖ 3** ja valitse sitten lähtötyyppivalikosta **Pumppu Käy/Seis, Y1/Y3 Yhd.patteri**.

## 11.4 Ilmavirran ohjaus

### 11.4.1 VAV-/CAV muunnospaketti

VAV/CAV-muunnossarjaa käytetään asuinrakennuksiin tarkoitettujen koneiden ohjaukseen.



### Huom!

Lisävarustepaketti sisältää kaikki tarvittavat osat VAV-muunnokselle, kuitenkin CAV-muunnosta varten on hankittava Iris-tyyppinen pelti tai vastaava laite, jolla on tunnettu k-kerroin

#### Komponentti/Tuote – Tuotenumero:

- VAV/CAV-muunnossarja – 140777
- SPI-125 C Iris-pelti – 6751

#### Asennus ja liitännät

- Noudata mukana toimitetun oppaan ohjeita.

## 11.5 Asennus/huolto

### 11.5.1 Ulkoilma-/poistoilmapellit

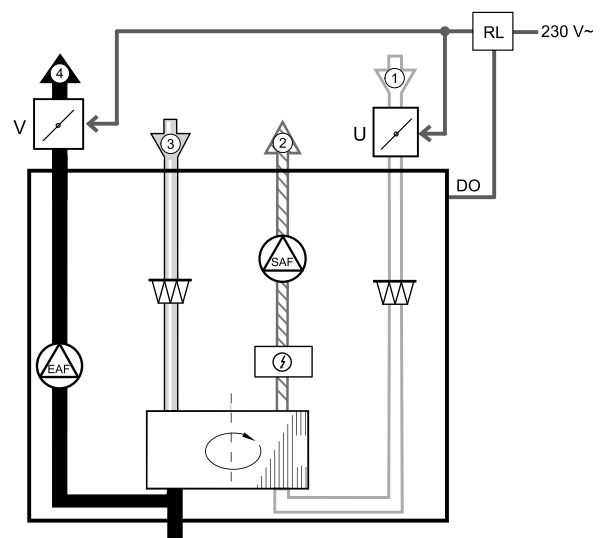


Jos manuaalinen puhaltimen pysäytys otetaan käyttöön, koneen jäte- ja ulkoilmakanaviin tulisi asentaa sulkupellit, jotka estävät kylmän vedon ja kondensaation muodostumisen, kun kone ei ole toiminnassa.

- RL – relekotelo
- U – ulkoilman sulkupelti
- V – jäteilman sulkupelti
- 1 – ulkoilma
- 2 – tuloilma
- 3 – poistoilma
- 4 – jäteilma

#### Komponentti/Tuote – Tuotenumero:

- TUNE-R-125-3-M4 (U/V) – 311968
- Relesarja:  
RMK – 153549
- Muuntajan sisältävä relesarja 24 VAC:n peltejä varten:  
RMK-T – 153548



Katso mahdolliset kytkentävaihtoehdot releasennussarjan mukana toimitetusta kytkentäkaaviosta.

**Huom!**

24 VAC:n peltien virransyöttöön ja ohjaukseen vaaditaan muuntajan sisältävä releasennussarja (materiaalinumero: 153548).

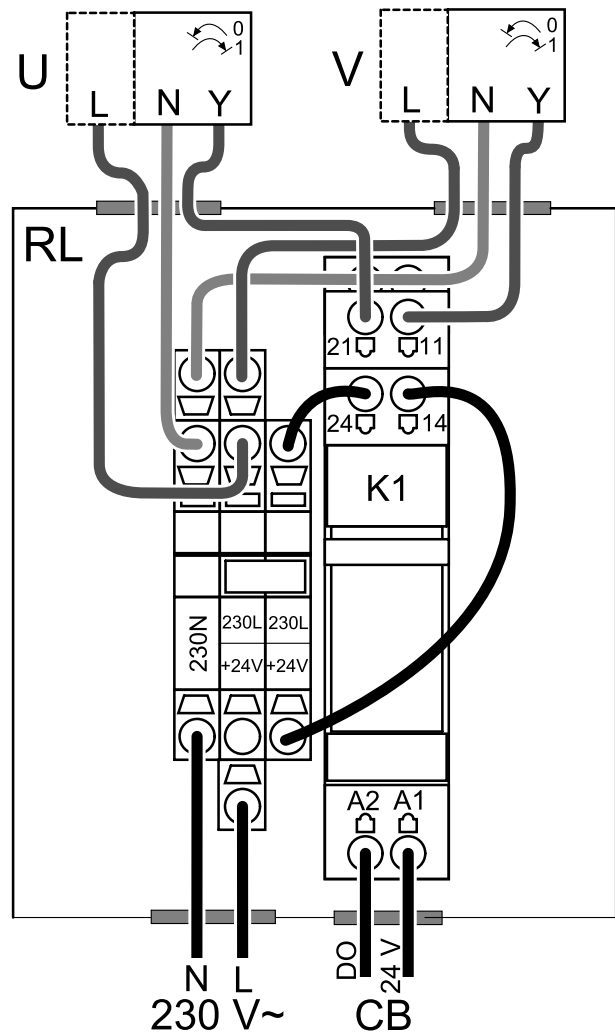
Näissä asennusohjeissa on kuvattu 230 VAC:n peltien asennus ja kytkennät muuntajatonta releasennussarjaa (materiaalinumero: 153549) käytettäessä.

**Asennus ja kytkennät**

1. Asenna pellit (U/V).
2. Liitä relekotelon (RL) ohjaussignaalin johtimet (24 V, DO) mihin tahansa liitinlevyn (CB) vapaana olevaa digitaaliseen lähtöön.
3. Liitä peltien virransyötön johtimet (N) riviliittimeen. Liitä peltien ohjaussignaalin johtimet (Y, linja) releriviliittimeen (liittimet 11 ja 21). Katso kuva.

Jos käytössä on pelti, jonka toimilaite ei ole jousipalautteinen, riviliittimeen on liitettävä ylimääräinen virransyötön johdin (L), sillä tämän tyyppinen pelti vaatii jatkuvan virransyötön.

4. Liitä relekotelon virransyötön johtimet (L, N) 230 VAC:n virtalähteeseen.



**Kuva 4 Säätopellin konfigurointi**

**Määrittely**

1. Siirry **Huolto**-valikkoon
2. Syötä salasana (oletussalasana 1111)
3. Määritä releen ohjaussignaalin asetukset. Siirry **Lähdöt**-valikkoon. Valitse **DIGITAALINEN**-välilehti. Valitse digitaalinen lähtö, johon rele on liitetty. Esimerkki: jos rele on liitetty liitinlevyn DO3-liittimeen, valitse **DIGITAALINEN LÄHTÖ 3** ja valitse sitten lähtötyyppivalikosta signaalityypiksi **Sulkupellit ulko-/jäteilma**.

**11.5.2 Useiden ohjauspaneelien käyttö**

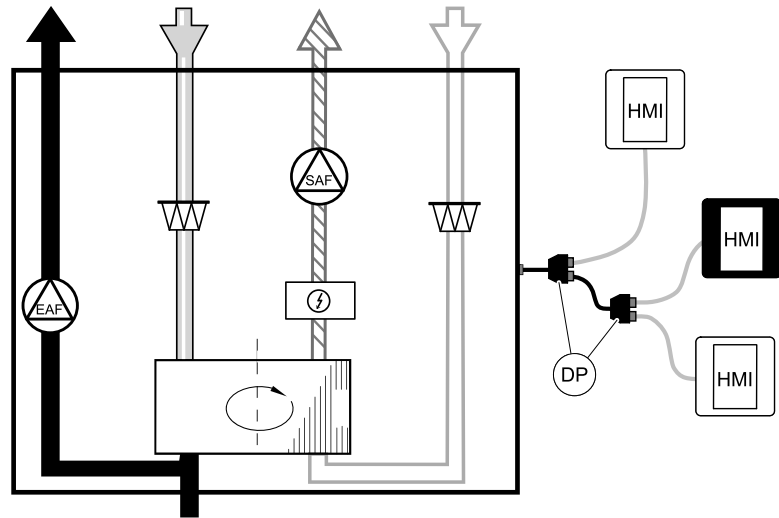
Yhteen koneeseen on mahdollista liittää useita ohjauspaneeleja (enintään 10) haaroituspistokkeita käyttämällä. Yhteen haaroituspistokkeeseen voidaan liittää kaksi ohjauspaneelia. Samanaikaisesti liitettyjen ohjauspaneelien määrää voidaan kasvattaa liittämällä haaroituspistoke muihin haaroituspistokkeisiin.

**Huom!**

- Kytchentäkotelon (CB) 24 V:n liittimien käyttö muiden laitteiden virransyöttöön rajoittaa mahdollisuuksia toteuttaa ohjauspaneelien virransyöttö koneen kautta.
- Yhden aktiivisen ohjauspaneelin virrankulutus on 50 mA. Liitinlevyn virransyöttökapasiteetti on 250 mA. Jos koneeseen ei ole liitetty muita 24 V:n virransyöttöä käyttäviä lisävarusteita, siihen voidaan liittää enintään 5 ohjauspaneelia ilman ulkoisen virtalähteen käyttöä. Ulkoisen virtalähteen käyttö on aina välttämätöntä, jos koneeseen halutaan liittää useampia kuin 5 ohjauspaneelia.

Ohjauspaneeli on saatavilla mustana tai valkoisena.

- DP – haaroituspistoke
- HMI – ohjauspaneeli



#### Komponentti/Tuote – Tuotenumero:

- CE/CD-haaroituspistoke, 4-nastainen – 37367
- CEC-kaapeli ja liitin, 12 m – 24782
- CEC-kaapeli ja liitin, 6 m – 24783
- HMI-käyttöliittymä valkoinen – 138077
- HMI-käyttöliittymä musta – 138078

#### Asennus ja kytkennät

1. Liitä haaroituspistoke kytkentäkotelon ulkoiselle ohjauspaneelille (HMI) tai Internet-moduulille tarkoitettuun liittimeen.
2. Liitä ohjauspaneelit haaroituspistokkeisiin suositeltuja kaapeleita tai mitä tahansa muita RJ22-tyyppisillä liittimillä varustettuja kaapeleita käyttäen.



#### Huom!

Kaapeleiden pituus voi olla enintään 50 metriä.

#### Määrittely

1. Siirry Huolto valikkoon
2. Syötä salasana (oletussalasana 1111)
3. Siirry kohtaan *Kommunikaatio* ⇒ *HMI-osoite* ja vaihda osoitenumero. Toista nämä vaiheet jokaiselle koneeseen liitetyle ohjauspaneelille.

Jokaisella ohjauspaneelilla on oltava yksilöllinen osoitenumero. Ohjauspaneelit eivät toimi oikein, jos niiden osoitenumerot ovat päällekkäiset.

## 11.6 Suodattimet

Suodattimet on vaihdettava, kun ne ovat likaantuneet. Suodattimina tulisi käyttää Systemair:n suodattimia, jotta ne varmasti täyttäsivät vaadittavat laatustandardit. Ota yhteyttä jälleenmyyjään.

Suodattimen malli on merkitty suodattimen päälle.

#### Komponentti/Tuote – Tuotenumero:

- PFVTR 150 M5/ePM10 60 % tuloilma – 211121
- PFVTR 150 M5/ePM10 60 % poistoilma – 211120
- PFVTR 150 F7/ePM1 55 % tuloilma – 211122



[www.systemair.com](http://www.systemair.com)